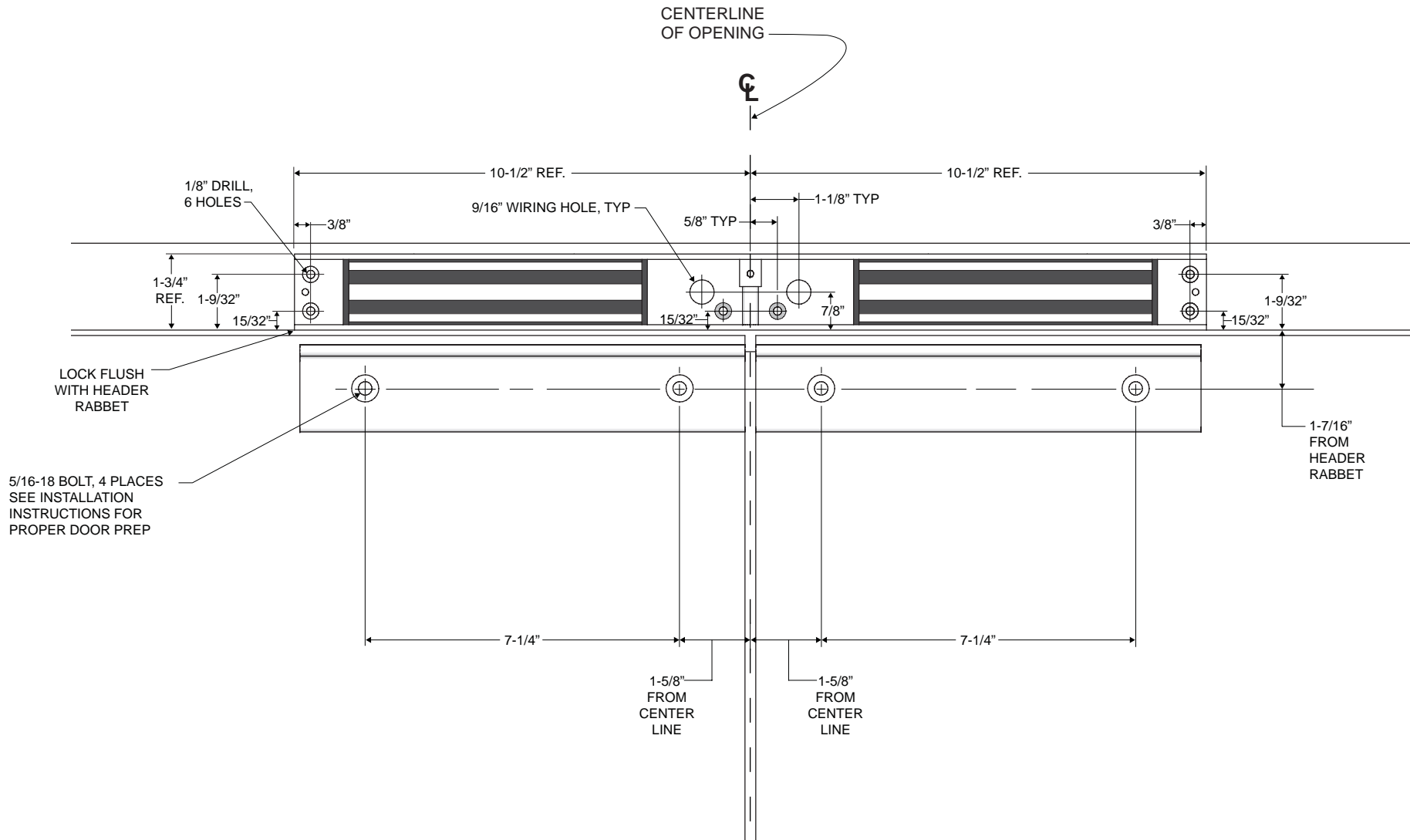
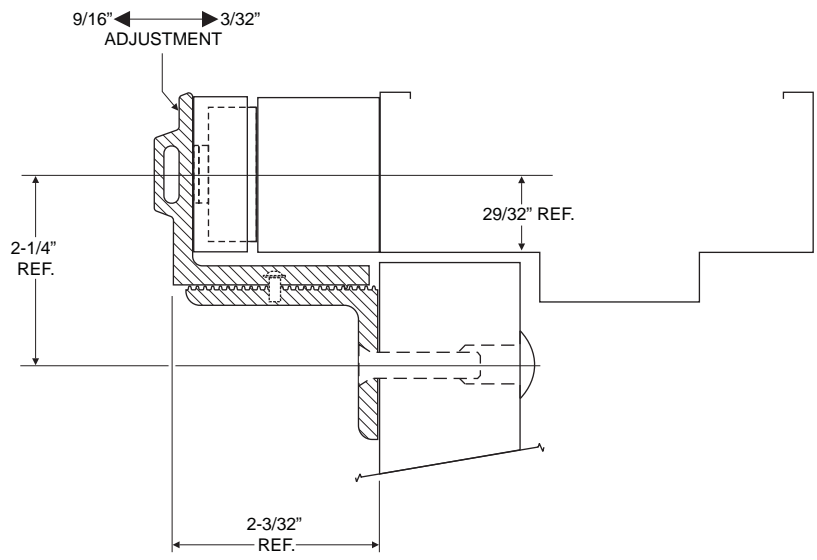


**REVISED TEMPLATE  
FOR USE WITH NEW PLASTIC  
ARMATURE HOUSINGS ONLY**



**NOTE:**  
ABOVE INFORMATION IS FURNISHED TO IDENTIFY HOLE  
LOCATIONS. SEE INSTALLATION INSTRUCTIONS FOR DOOR AND  
FRAME PREPARATION.

**DynaLock**  
DynaLock Corporation  
705 Emmett Street • Bristol, CT 06010  
Tel: (860) 582-4761 • Fax: (860) 585-0338

*Template  
Drawing*

DRWN:	MJL	Date:	02/06/07
CHK'D:	MJL	Date:	02/15/07
CHK'D:		Date:	
APPV'D:		Date:	

Title: 2522xTJ DOUBLE INSWING MAGLOCK TEMPLATE DRAWING			
Page	Scale:	Size:	Drawing #:
1 Of 1	—	B	301312
REV:			