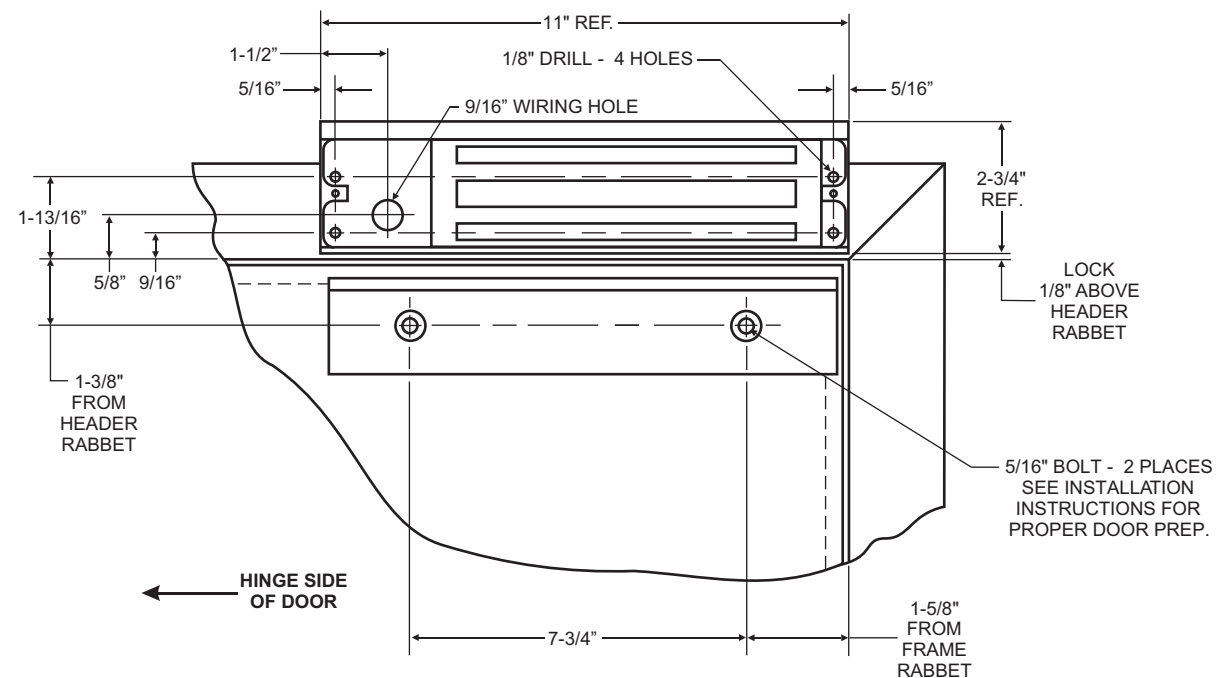
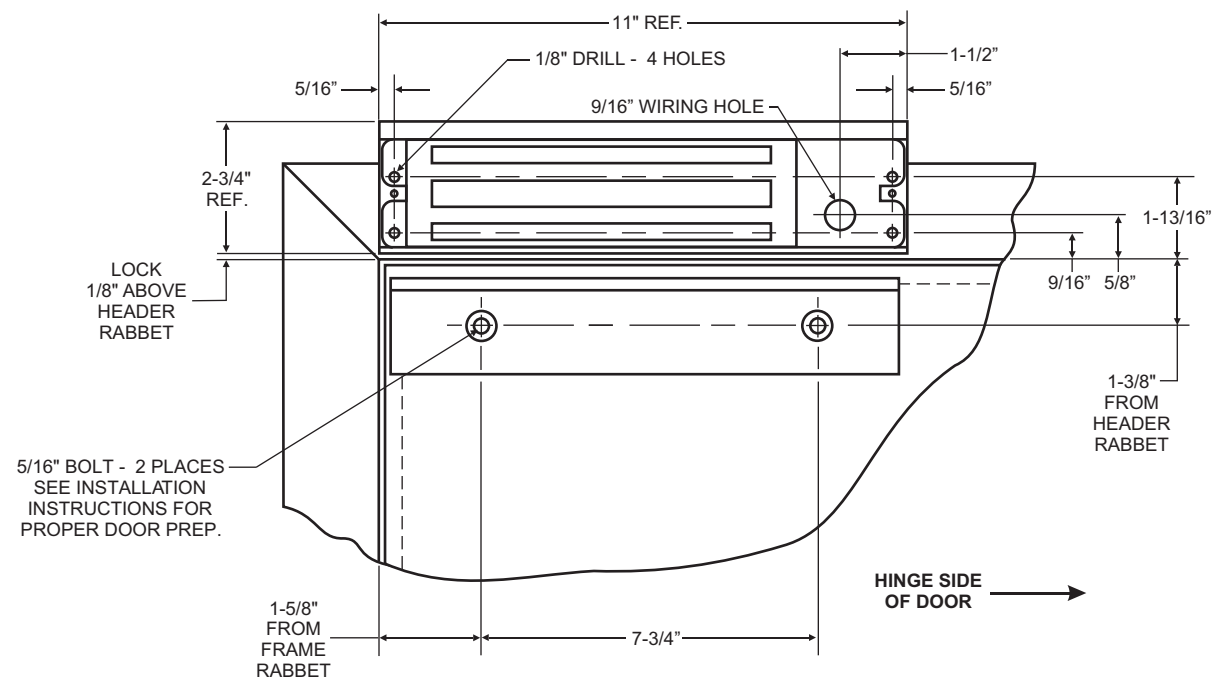
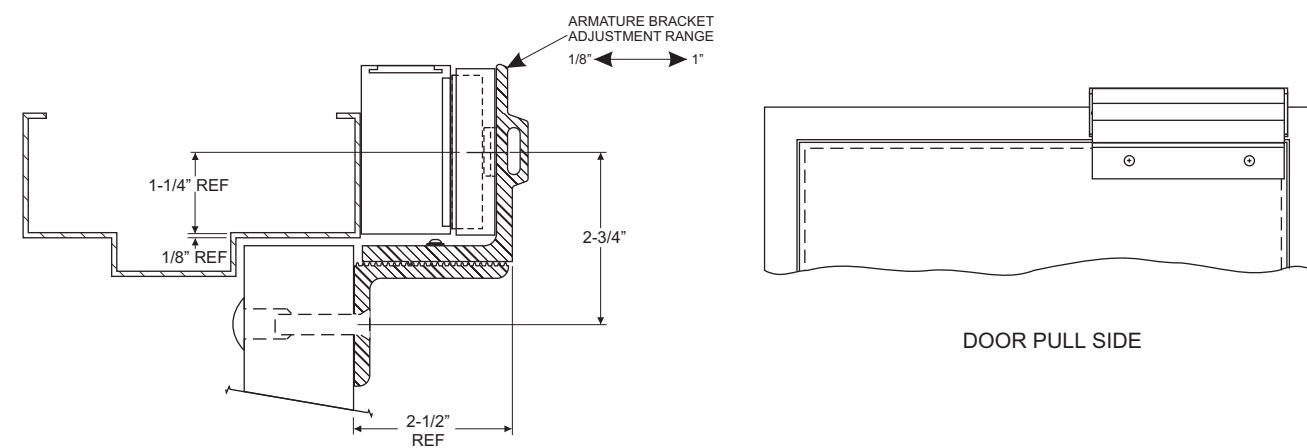
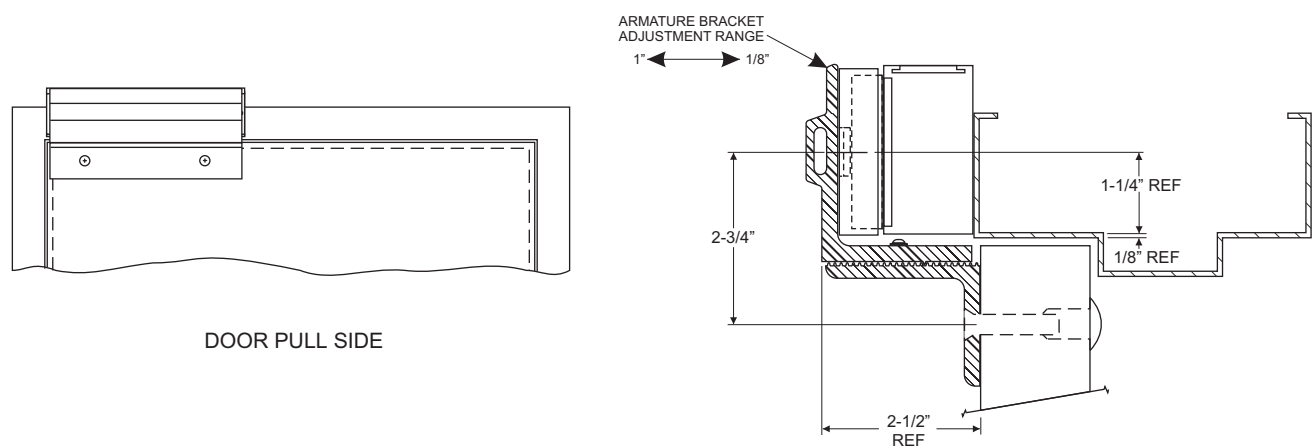


REVISED TEMPLATE
FOR USE WITH NEW PLASTIC
ARMATURE HOUSINGS ONLY

LEFT HAND DOOR PREP

RIGHT HAND DOOR PREP



NOTE:
ABOVE INFORMATION IS FURNISHED TO IDENTIFY
HOLE LOCATIONS. SEE INSTALLATION INSTRUCTIONS
FOR DOOR AND FRAME PREPARATION.



DynaLock Corporation
705 Emmett Street • Bristol, CT 06010
Tel: (860) 582-4761 • Fax: (860) 585-0338

*Template
Drawing*

DRWN: MJL Date: 02/13/07
CHK'D: JAS Date: 02/27/07
CHK'D: Date:
APPV'D: Date:

Title: 3000xTJ30 SINGLE INSWING
ELECTROMAGNETIC LOCK
TEMPLATE DRAWING

Page
1 Of 1

Scale:
—

Size: B
Drawing #: 301093

REV:
D