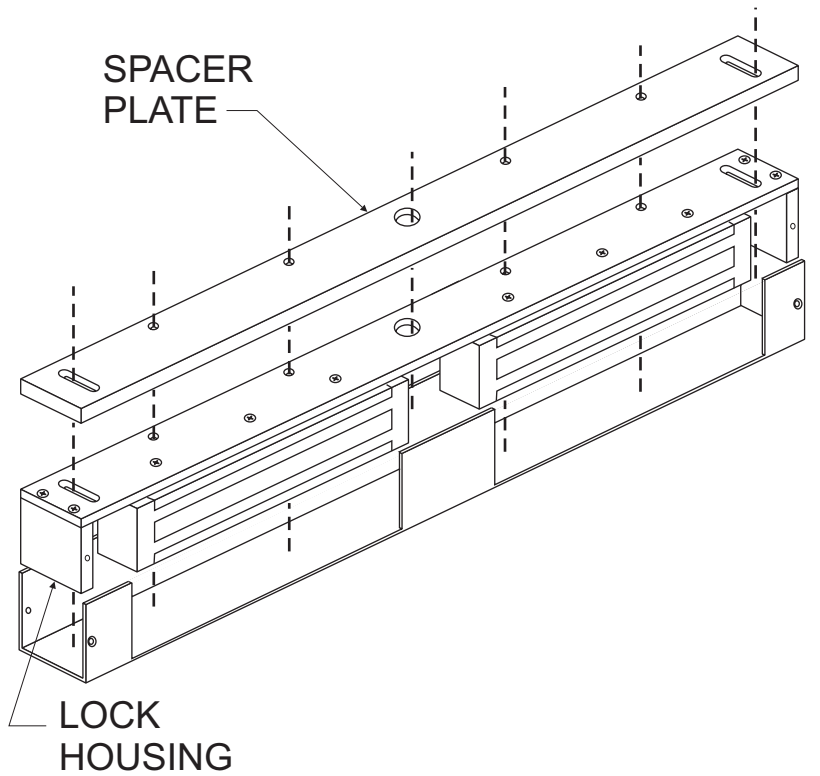
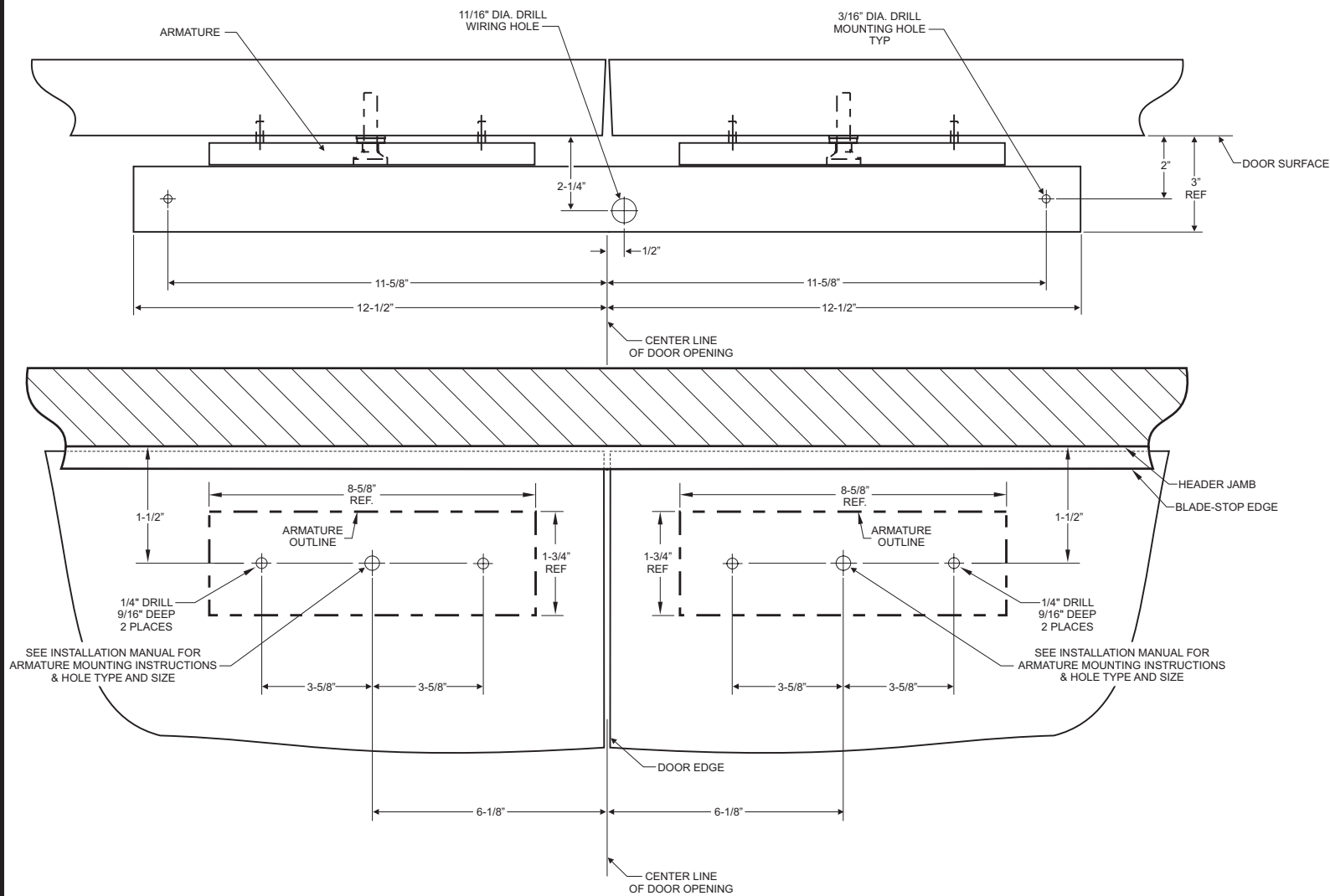



SUPPLEMENTAL INSTRUCTIONS



 <p>DynaLock DynaLock Corporation 705 Emmett Street • Bristol, CT 06010 Tel: (860) 582-4761 • Fax: (860) 585-0338</p>	<p><i>Template Drawing</i></p>	DRWN: MJL Date: 11/29/05	Title: TEMPLATE DRAWING FOR 2268-20 USING MODEL #4306 SPACER PLATE				
		CHK'D: JAS Date: 12/01/05					
		APPV'D: Date:	Page: 1 Of 1	Scale: —	Size: A	Drawing #: 301230	REV: