

5000 Series

Open Power Supplies



LIFE SAFETY PRODUCTS

FULLY INTEGRATED SECURITY SYSTEMS

Electromagnetic Locks | Controls | Power Supplies

5200 Series Open Transformers

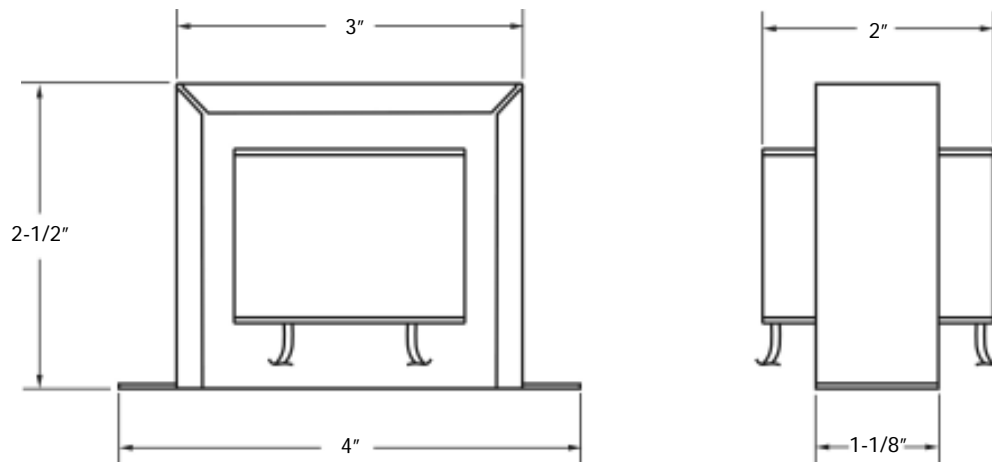


Description

5200 Series Open Transformers are specified where an economical source of low voltage power is required.

All models feature 120VAC/60Hz input primaries and are furnished with 10" color-coded flying leads. Individual models are available with secondary outputs in 12 or 24 volts AC or DC (with built-in rectifier bridge) and are rated at 2 Amps maximum.

Dimensions



Specifications

MODEL	OUTPUT VOLTAGE	MAX LOAD	SINGLE DOOR LOCKING DEVICE POWER CAPACITY				
			1300	2511	2011/3000	2268-10	3101/3101B
5212	12 VAC	2 Amps	2	3	4	2	2
5213	12 VDC	2 Amps	2	3	4	2	2
5224	24 VAC	2 Amps	4	7	7	5	3
5225	24 VDC	2 Amps	4	7	7	5	3

5300 Series Plug-In Transformers

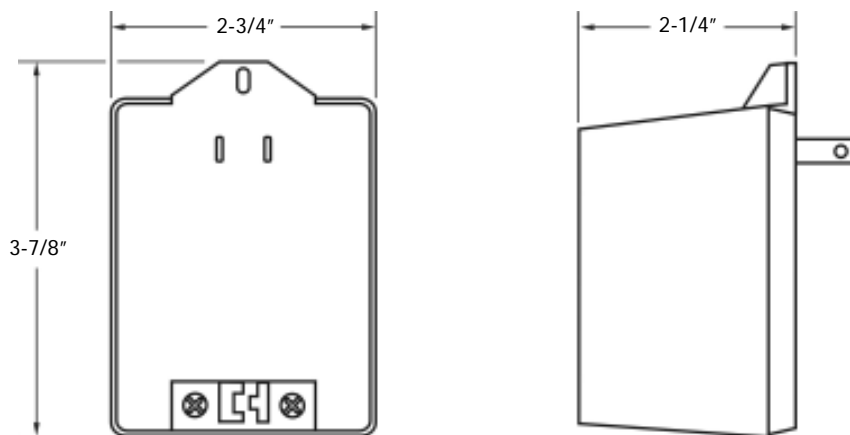


Description

5300 Series Open Transformers are specified where an economical source of low voltage power is required, when a standard 120 VAC convenience outlet is in close proximity to the device to be powered.

Individual models are available with secondary outputs in 12 or 24 volts AC or DC (with built-in rectifier bridge) and are rated at 3 Amps maximum. Screw terminals are provided for field hook-up.

Dimensions



Specifications

MODEL	OUTPUT VOLTAGE	MAX LOAD	SINGLE DOOR LOCKING DEVICE POWER CAPACITY				
			1300	2511	2011/3000	2268-10	3101/3101B
5312	12 VAC	3 Amps	3	5	6	4	3
5313	12 VDC	3 Amps	3	5	6	4	3
5324	24 VAC	1.5 Amps	3	5	6	4	2
5325	24 VDC	1.5 Amps	3	5	6	4	2

5400 Series Battery Back-Up Supply



Description

The 5400 Power Supply is a self-contained, 12VDC/1 Amp power system for a single electric lock equipped door, featuring standard battery back-up. The 5400 is comprised of three components - a plug-in transformer, battery charger module and 12V/4AH rechargeable battery.

The 5400 provides a 1 Amp continuous output at 12VDC with automatic switchover to battery upon loss of AC input power. A built-in charging circuit maintains and recharges the battery for uninterrupted security during temporary line power outages.

Specifications

CHARGER MODULE

Dimensions: 3.6"L x 2.1"W x 1.5"H

Output Capacity: 1 Amp @ 12VDC

Battery Fuse: 5 Amp / 250VAC

TRANSFORMER

Dimensions: 3.5"H x 2.2"W x 2"D

Input: 120VAC / 60Hz @ 0.23 Amps

Output: 16VAC / 20VA Class 2

Plugs into any standard duplex outlet.

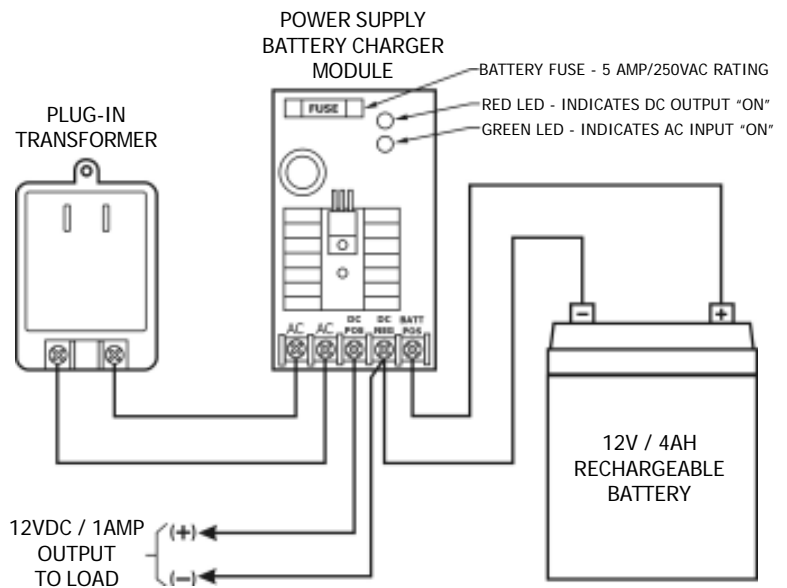
BATTERY

Dimensions: 4"L x 3.5"W x 3"D

Size Rating: 12VDC / 4 AH

Type: Sealed Lead Acid

Wiring Information



DYNALOCK CORPORATION

705 EMMETT STREET / PO BOX 2728

BRISTOL, CT 06011-2728

PHONE: 877-DYNALOCK / FAX: 860-585-0338

E-MAIL: INFO@DYNALOCK.COM

WEBSITE: WWW.DYNALOCK.COM

Featuring


DynaLifeSM
Lifetime Warranty