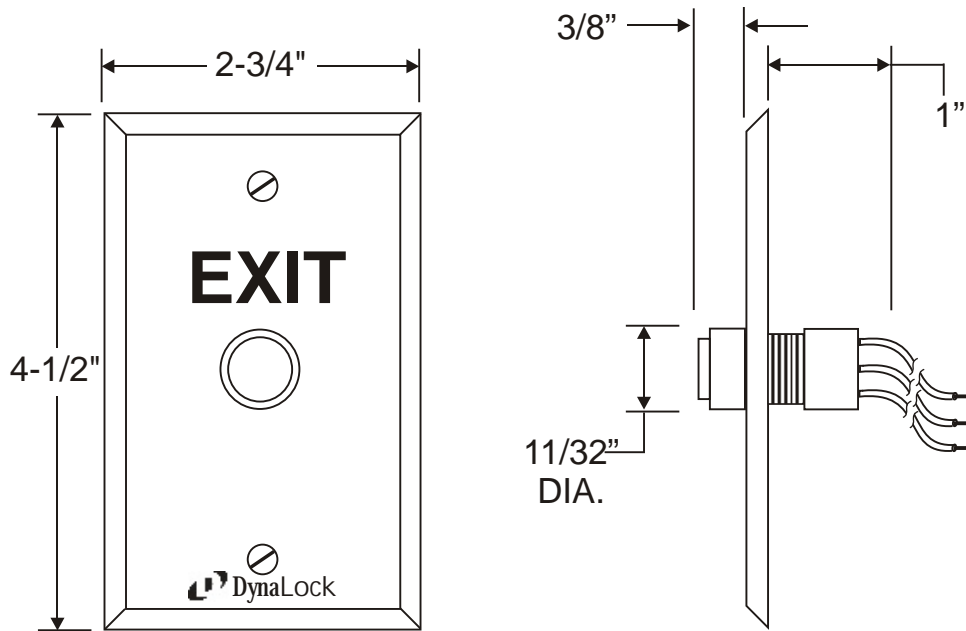


SPECIFICATIONS



DYNALOCK #6115 PUSH BUTTON FEATURES:

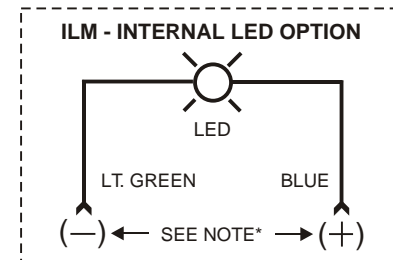
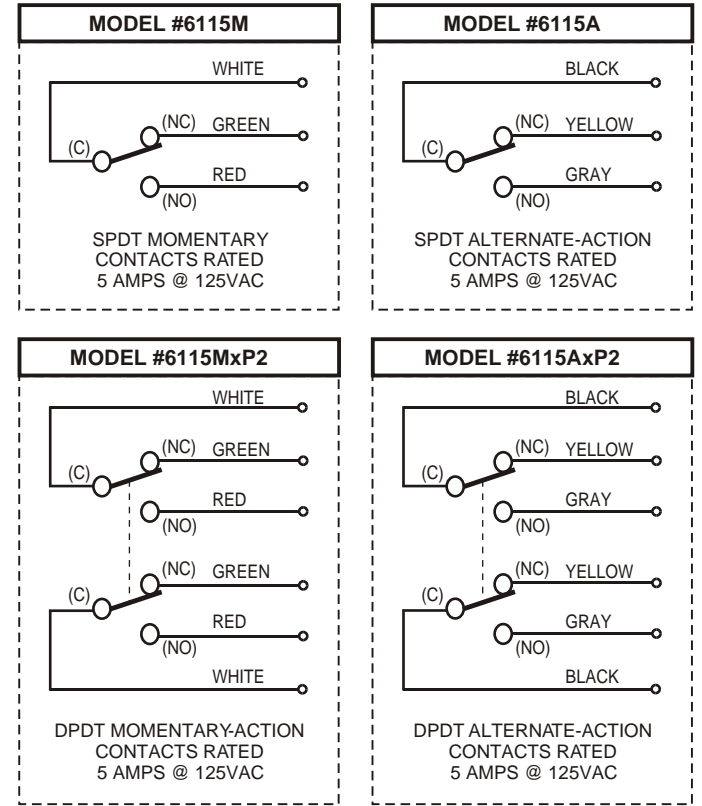
5/8" DIA. GREEN PLASTIC BUTTON ON SINGLE-GANG BRUSHED STAINLESS STEEL FACEPLATE, SILKSCREENED "EXIT".

7" COLOR-CODED #18AWG WIRE LEAD TERMINATIONS.

MOMENTARY (#6115M) OR ALTERNATE -ACTION (#6115A) CONTACTS, RATED 5 AMPS @ 125VAC.

OPTIONAL ILLUMINATED BUTTON ('ILM' OPTION, AS ORDERED). SEE WIRING INFORMATION FOR DETAILS.

WIRING INFORMATION



***NOTE:**
ILM OPTION VOLTAGE ____ 12VDC ____ 24VDC

DynaLock
705 Emmett Street
Bristol, CT 06010

TITLE
SERIES #6115 PUSH BUTTON STATION

DRN. BY JAS
DATE 01/09/04
SCALE ____

DWG. NO.
600245