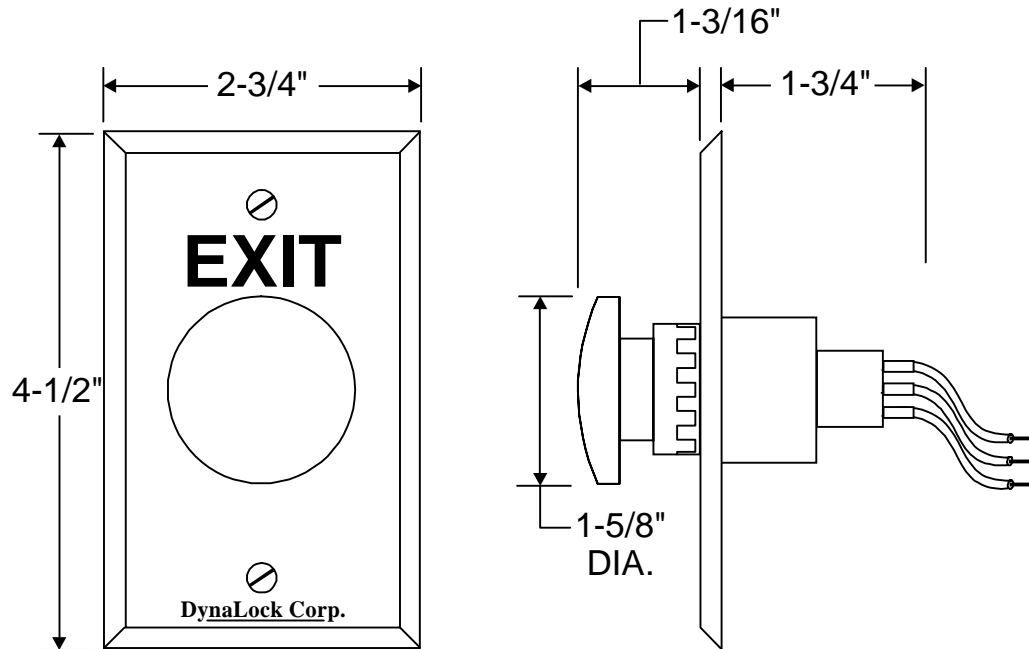


# SPECIFICATIONS

# WIRING INFORMATION



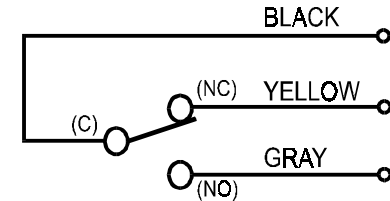
## DYNALOCK MODEL #6211, #6221 PALM BUTTONS FEATURES:

1-5/8" DIA. RED PLASTIC MUSHROOM BUTTON ON SINGLE-GANG BRUSHED STAINLESS STEEL FACEPLATE, WITH "EXIT" SIGNAGE SILKSREENED IN RED 1/2" LETTERS.

7" COLOR-CODED #18AWG WIRE LEAD TERMINATIONS.

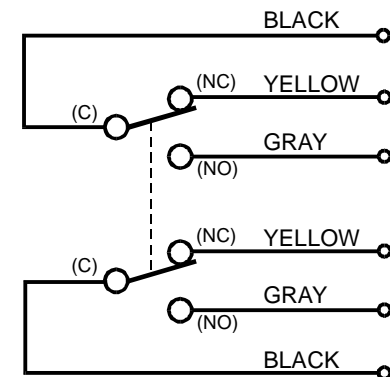
6211 - SPDT / ALTERNATE-ACTION CONTACTS, RATED 6 AMPS @ 125VAC  
 6221 - DPDT / ALTERNATE-ACTION CONTACTS, RATED 6 AMPS @ 125VAC

### MODEL #6211



**SPDT ALTERNATE-ACTION CONTACTS RATED 6 AMPS @ 125VAC**

### MODEL #6221



**DPDT ALTERNATE-ACTION CONTACTS RATED 6 AMPS @ 125VAC**

**DynaLock Corp.**

705 Emmett Street  
 Forestville, CT 06010

TITLE

MODEL #6211, #6221 PALM BUTTONS

DRN. BY JAS

DATE 06/16/98

SCALE \_\_\_\_\_

DWG. NO.

600164