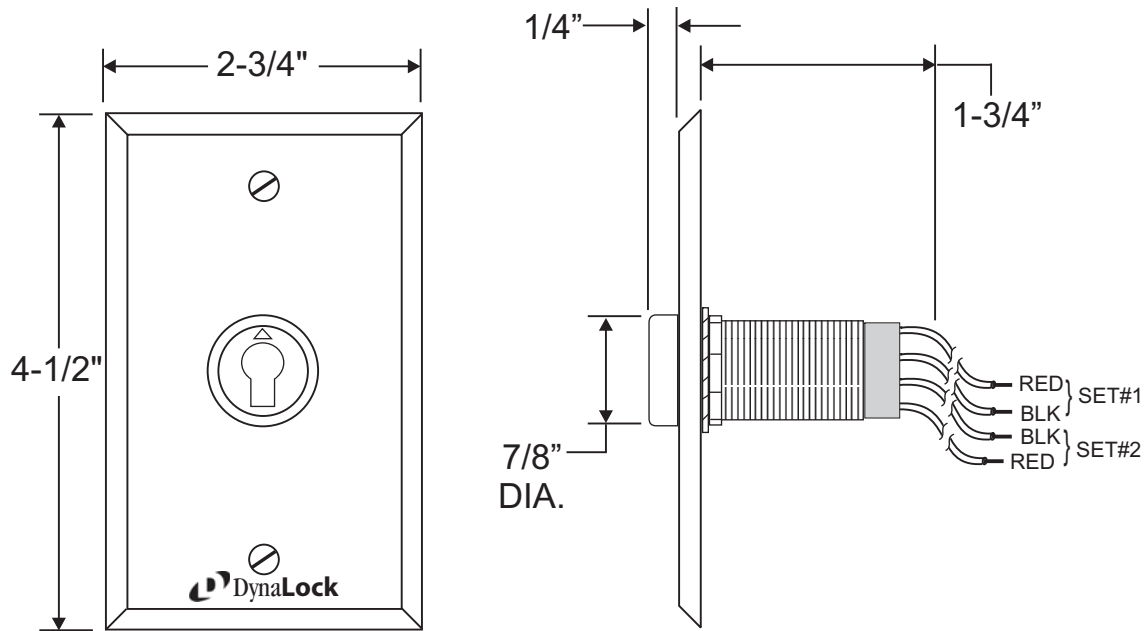


# SPECIFICATIONS



## DYNALOCK #7051 KEY SWITCH FEATURES:

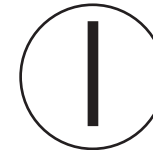
7/8" DIA. STAINLESS STEEL KEY SWITCH ON SINGLE-GANG BRUSHED STAINLESS STEEL FACEPLATE.

7" COLOR-CODED #20AWG WIRE LEAD TERMINATIONS.

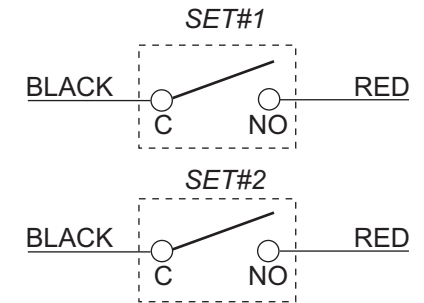
(2) MOMENTARY CONTACTS, RATED 4A @ 125VAC MAX.

# WIRING INFORMATION

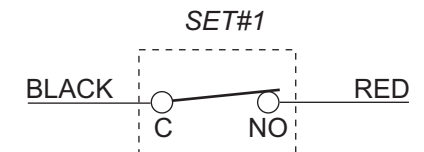
## KEY POSITION



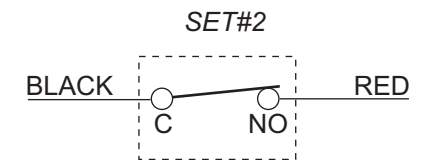
## CONTACTS



OFF - BOTH SETS OPEN



COUNTER-CLOCKWISE - SET #1 CLOSED



CLOCKWISE - SET #2 CLOSED

**DynaLock**  
705 Emmett Street  
Bristol, CT 06010

TITLE  
**SERIES #7051 KEY SWITCH STATION**

DRN. BY MJL  
DATE 09/22/05  
SCALE

DWG. NO.  
**700160**