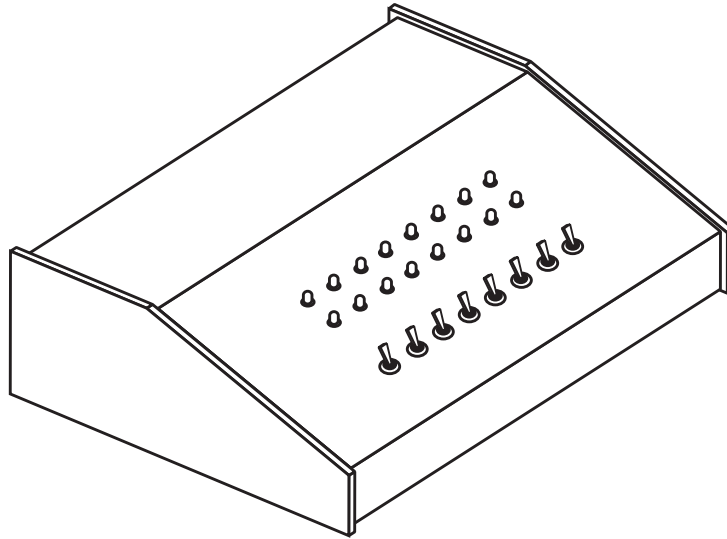




705 Emmett Street • Bristol, CT 06011-2728
Phone: (860) 582-4761 • Fax: (868) 585-0338

MODEL #8000SF STANDARD SLOPE FRONT CONSOLE

INSTALLATION INSTRUCTIONS



PLEASE READ BEFORE INSTALLATION

The 8000SF Series Standard Console provides remote monitoring and control capability for doors equipped with electronic security hardware. For full monitoring functions locks should be equipped with door and/or lock status signaling switches.

The Console is designed exclusively for indoor use and thus should be protected from extremes of temperature and exposure to moisture. When necessary clean the exterior of the Console with a soft damp cloth. Do not apply any harsh chemicals or detergents directly to the Console exterior.

CONSOLE SPECIFICATIONS

POWER REQUIREMENTS:	12VDC or 24VDC models: 0.100 Amps per zone.
MONITORING CAPABILITY:	Two (2) LED indicators per zone - (1) Red and (1) Green
CONTROL CAPABILITY:	One SPDT toggle switch per zone. May be either momentary or alternate-action as ordered. Output contacts rating - 2 Amps @ 30VDC

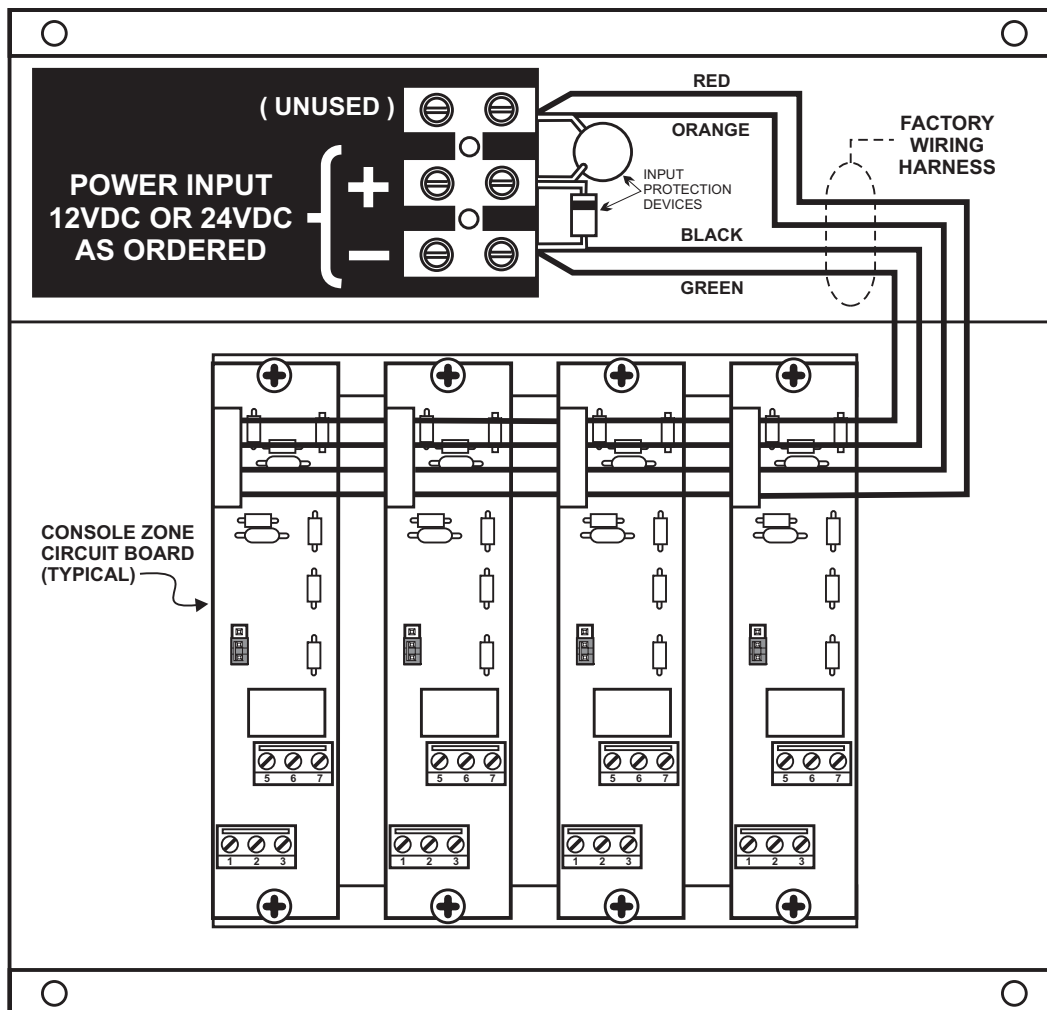
8000SF STANDARD CONSOLE GENERAL INFORMATION

INSTALLATION INSTRUCTIONS

1. Carefully remove the four (4) phillips head screws securing the Console face panel to the bottom plate. Lift the face panel off the bottom plate to expose the internal circuitry and field termination points.
2. Determine the entry location for the field wiring and drill the necessary access hole(s) in the Console enclosure. **Be sure to thoroughly clean and remove any metal chips from the inside of the Console.**
3. The Console will require 12 or 24VDC operating power (as ordered) fed from an external power source. To determine the proper size power supply required, multiply the number of Console zones (stations) times 0.100 Amps to calculate the total current draw. Example: Model #8008SF = 8 zones X 0.100 Amps = 0.800 Amps total current draw.
4. With power "off", connect the power wiring to the Console Master Power Input terminals marked "+", and "-", as shown in Figure "A" below. **Be careful to observe proper polarity when making these connections.**
5. Reference Page 4 to make the remaining connections for each individual door zone as per system requirements. The operating mode for the Lock Control Switch may be individually set on each door's zone board. Refer to Figure "C" and set the Lock Control Switch jumpers as desired.
6. Re-assemble the Console making sure not to damage any wiring. Where furnished, apply the optional Console Label Kit to the face panel as desired. **Console installation is now complete.**

Figure - A

REAR VIEW OF CONSOLE FACE PANEL - TYPICAL



8000SF STANDARD CONSOLE GENERAL INFORMATION

Figure - B

SIDE-VIEW CUTAWAY OF TYPICAL CONSOLE SHOWING INTERNALLY-MOUNTED INDIVIDUAL ZONE BOARD LOCATION

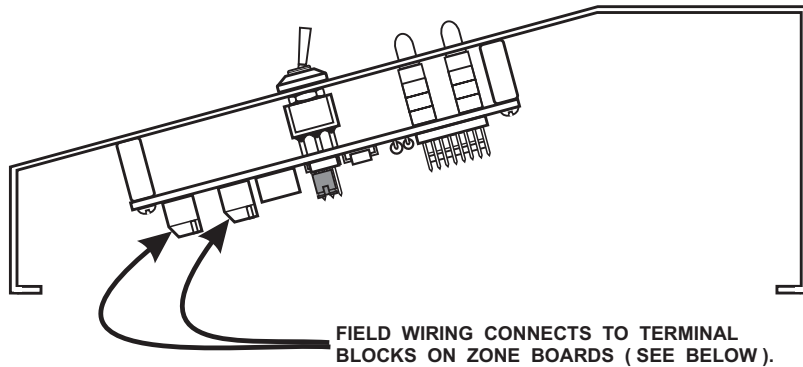
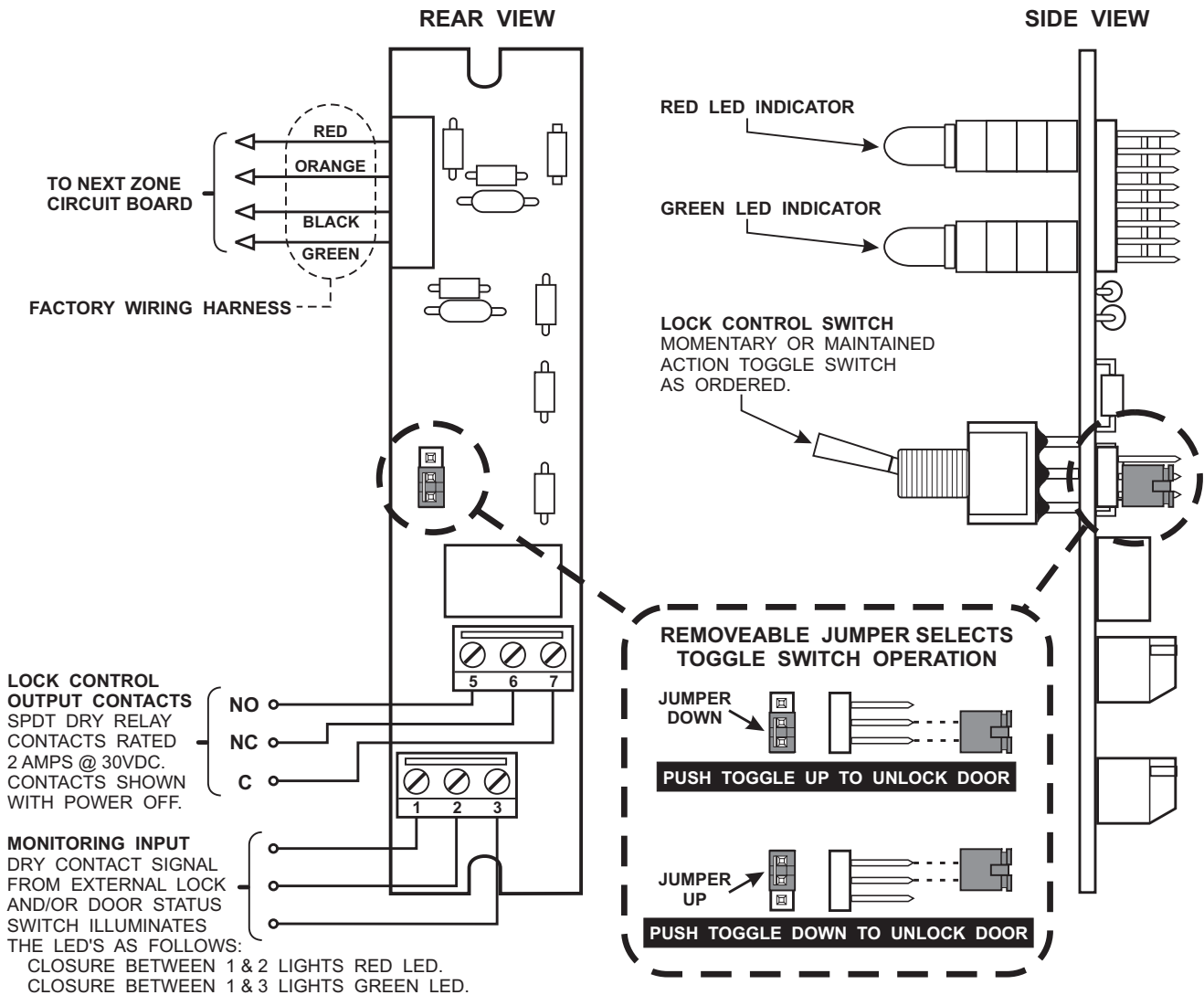


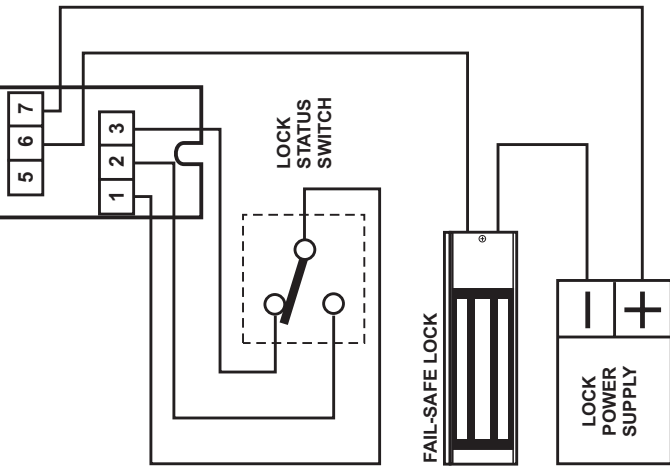
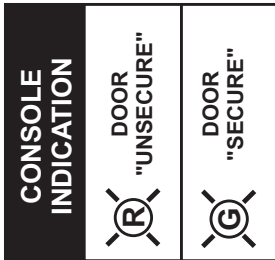
Figure - C

INDIVIDUAL ZONE CIRCUIT BOARD DETAIL



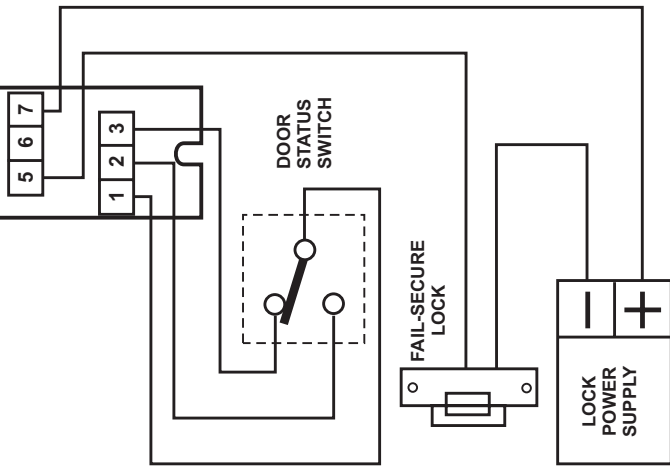
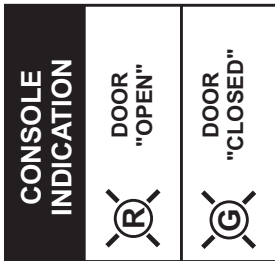
TYPICAL WIRING - INDIVIDUAL ZONE BOARD CONNECTIONS

EXAMPLE "A" FAIL-SAFE LOCKING DEVICE WITH LOCK STATUS MONITORING



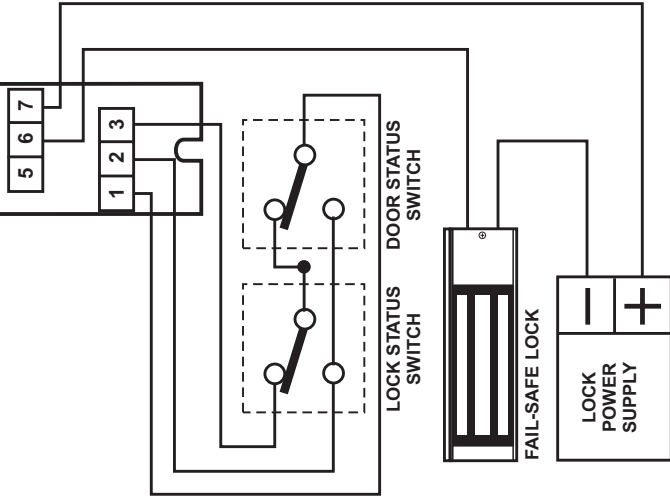
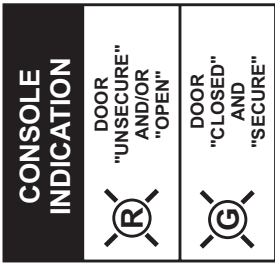
SYSTEM SHOWN WITH DOOR SECURE

EXAMPLE "B" FAIL-SECURE LOCKING DEVICE WITH DOOR STATUS MONITORING



SYSTEM SHOWN WITH DOOR CLOSED

EXAMPLE "C" FAIL-SAFE LOCKING DEVICE WITH LOCK AND DOOR STATUS MONITORING



SYSTEM SHOWN WITH DOOR CLOSED & SECURE