



705 Emmett Street • P.O. Box 2728 • Bristol, CT 06011-2728 • Phone (860)582-4761 • Fax (860)585-0338

INSTALLATION INSTRUCTIONS INTERLOCK LOGIC BOARD (ILB)

PLEASE READ BEFORE INSTALLATION

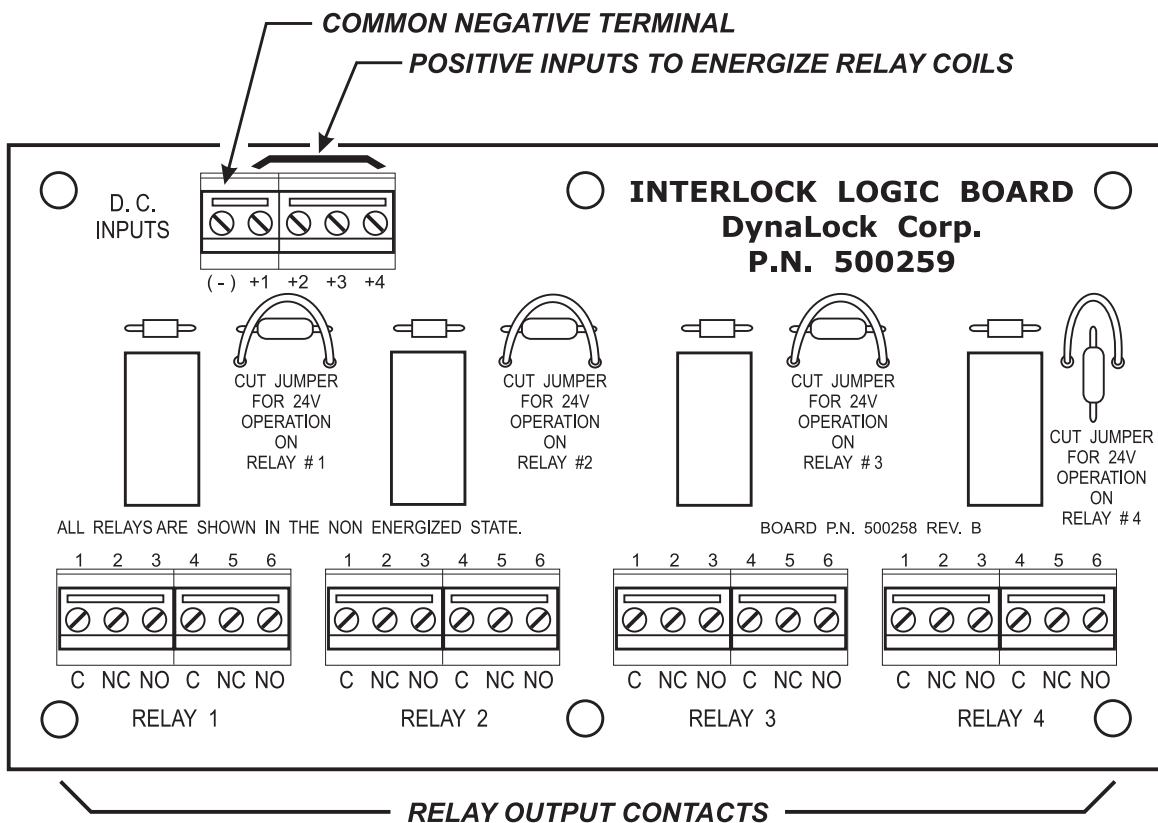
MOUNTING THE INTERLOCK LOGIC BOARD

The Interlock Logic Board (ILB) can be mounted in any DynaLock Power Supply, using 6-#6-32 screws or the double-stick tape supplied.

WIRING THE INTERLOCK LOGIC BOARD

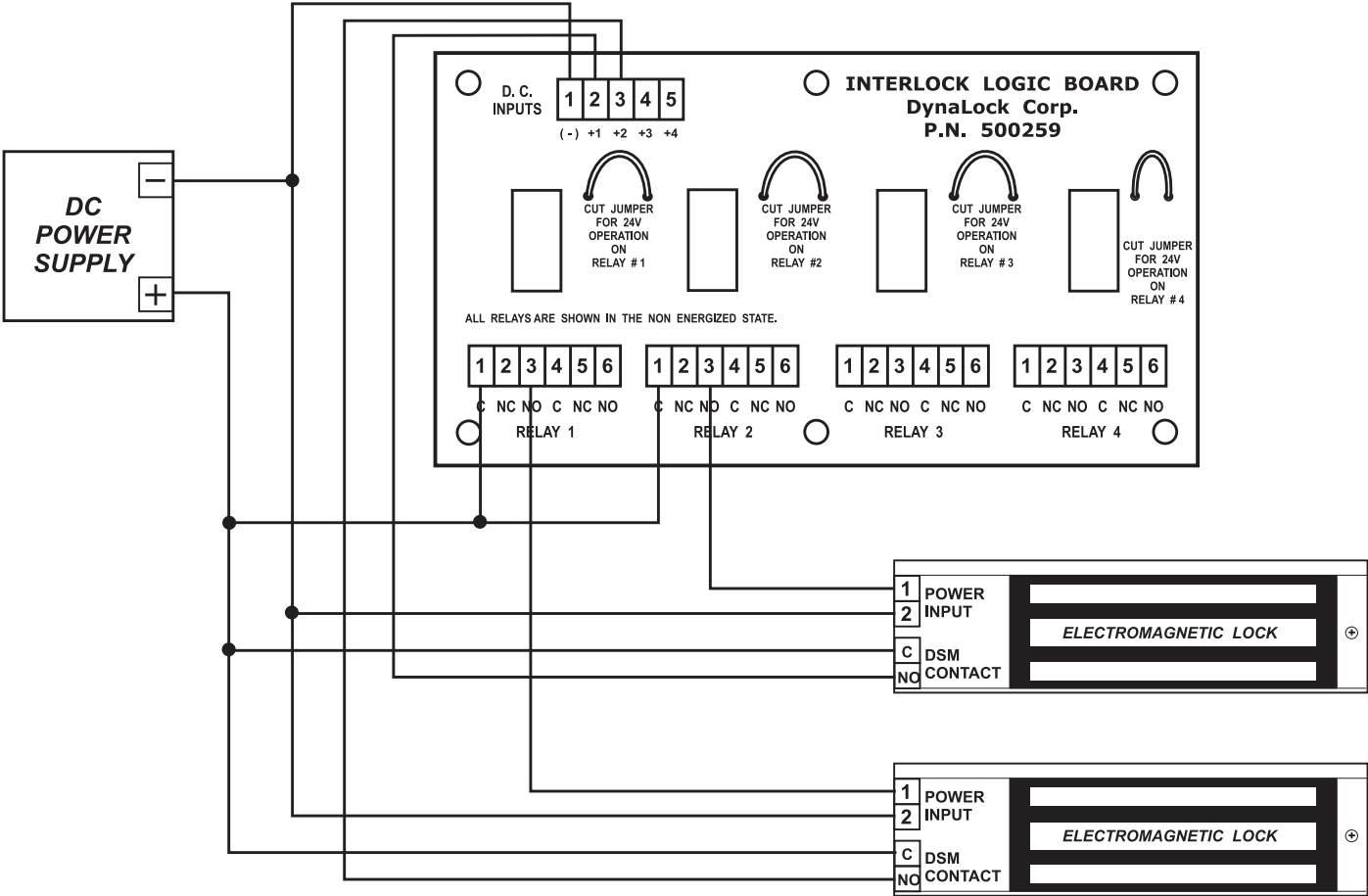
The ILB has 4 double-pole, double-throw relays that are field selectable for 12 or 24 volt DC operation. The relays are factory set for 12 VDC. To select 24 VDC operation cut the blue jumper located to the right of the relay. The relay contacts are rated 2 Amp @ 30VDC. The current draw of each relay is 35 mA @ 12 or 24 volts.

The relay coils have a common negative input terminal. To energize individual relays apply a positive input voltage to the terminals marked +1, +2, +3 or +4.



TYPICAL INTERLOCK WIRING DIAGRAMS

TWO - DOOR SAFETY INTERLOCK



NOTE: DSM CONTACTS SHOWN WITH DOORS CLOSED.

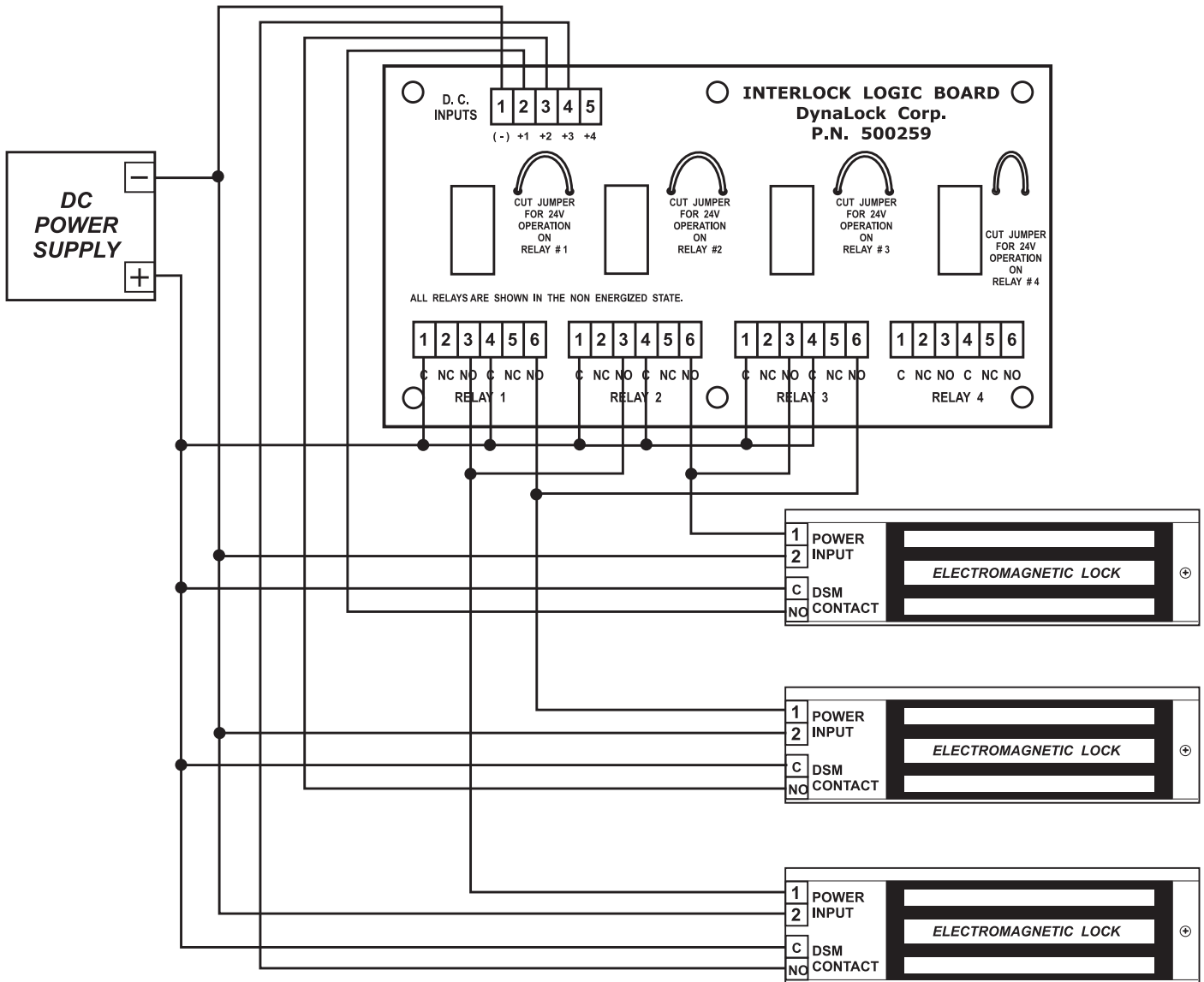
DESCRIPTION OF OPERATION:

Both doors are normally closed and unlocked.

Opening one door locks the other, until the first door is re-closed.

TYPICAL INTERLOCK WIRING DIAGRAMS

THREE - DOOR SAFETY INTERLOCK



NOTE: DSM CONTACTS SHOWN WITH DOORS CLOSED.

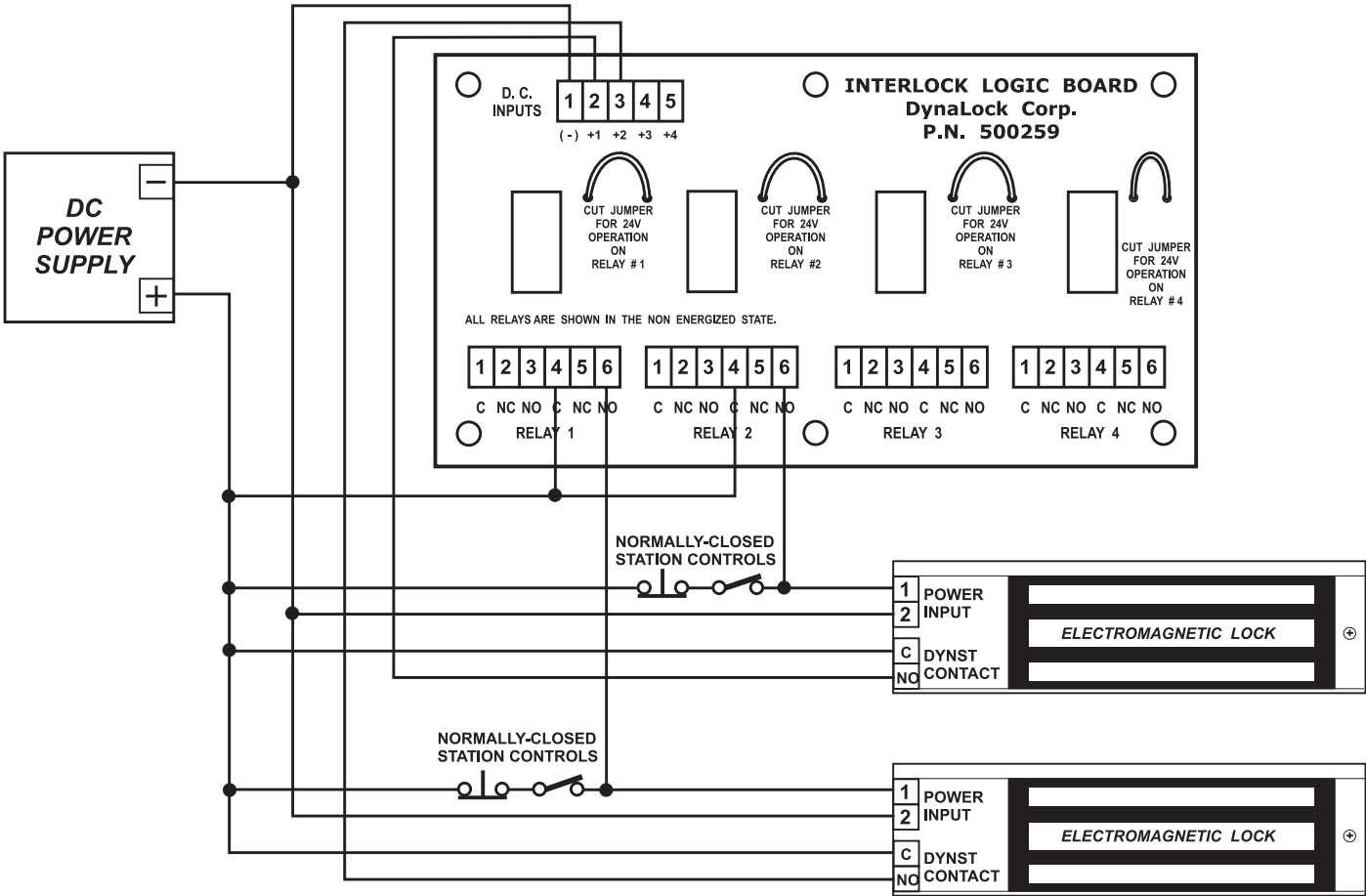
DESCRIPTION OF OPERATION:

All doors are normally closed and unlocked.

Opening one door locks the other two, until the first door is re-closed.

TYPICAL INTERLOCK WIRING DIAGRAMS

TWO - DOOR SECURITY INTERLOCK



NOTE: DYNASTAT CONTACTS SHOWN WITH DOORS LOCKED.

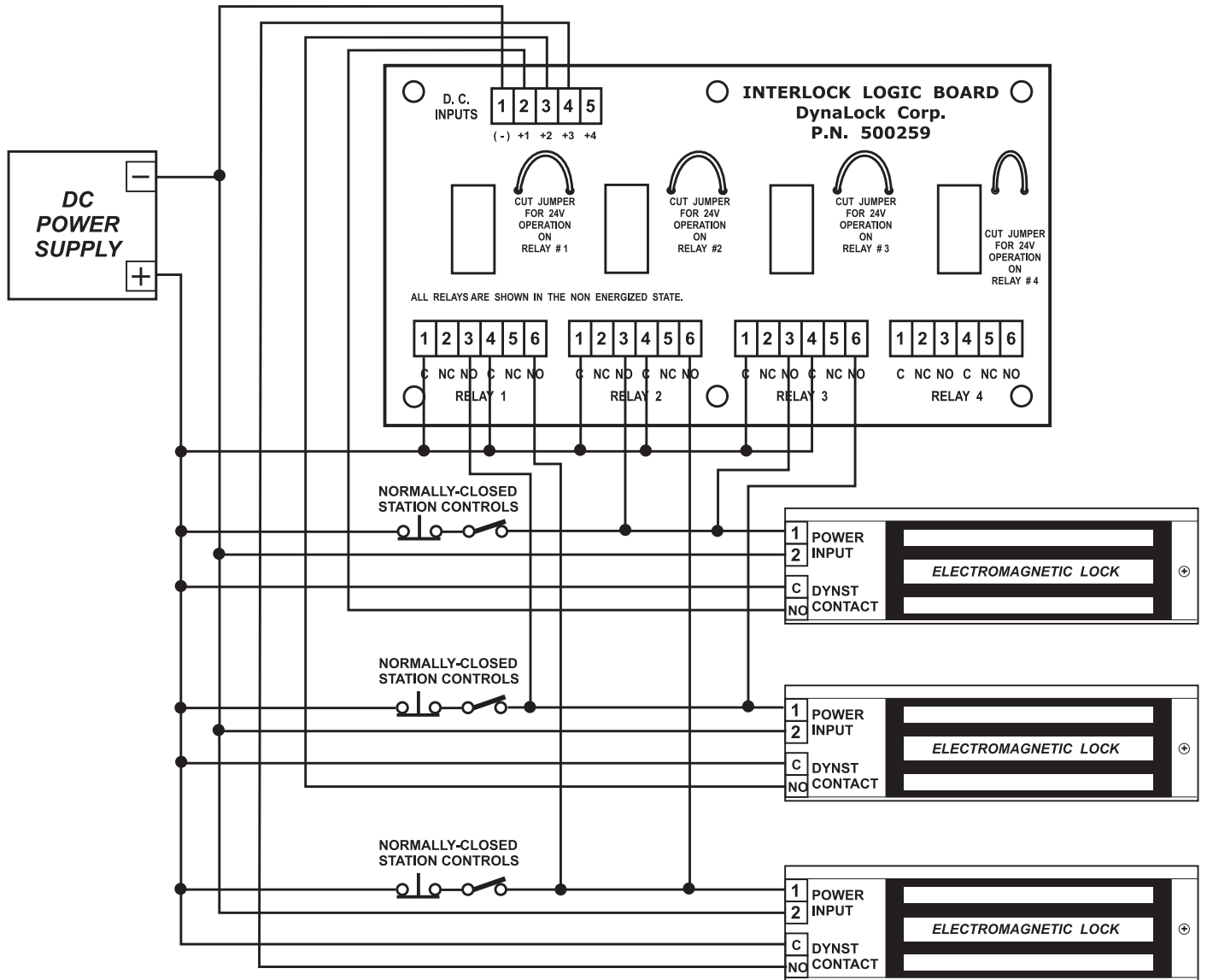
DESCRIPTION OF OPERATION:

Both doors are normally closed and locked.

Unlocking one door voids release of the other, until the first door is closed and re-locked.

TYPICAL INTERLOCK WIRING DIAGRAMS

THREE - DOOR SECURITY INTERLOCK



NOTE: DYNASTAT CONTACTS SHOWN WITH DOORS LOCKED.

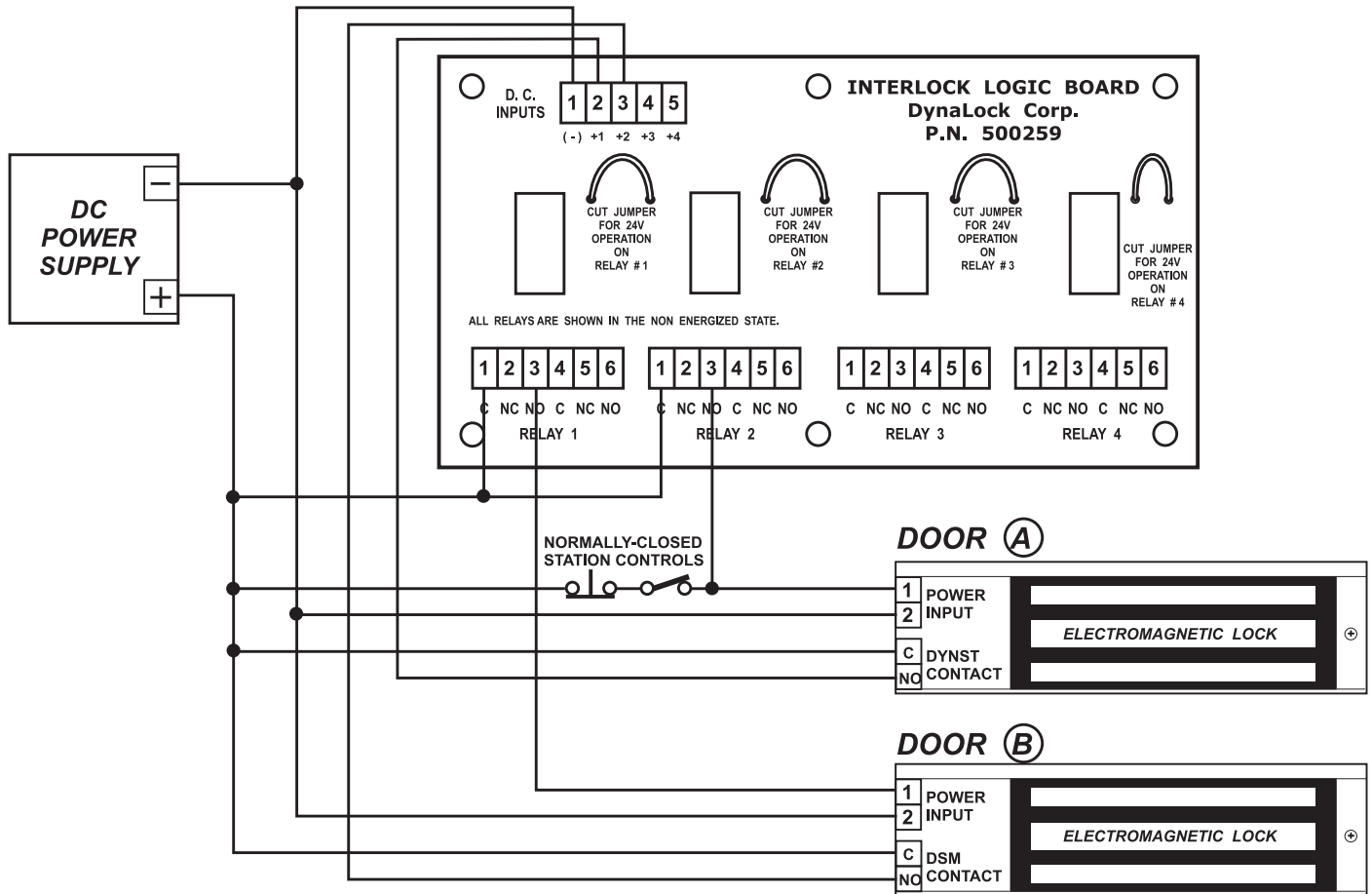
DESCRIPTION OF OPERATION:

All doors are normally closed and locked.

Unlocking one door voids release of the other two, until the first door is closed and re-locked.

TYPICAL INTERLOCK WIRING DIAGRAMS

TWO - DOOR SAFETY/SECURITY INTERLOCK



NOTE:
 DOOR "A" DYNASTAT SHOWN WITH DOO LOCKED.
 DOOR "B" DSM CONTACTS SHOWN WITH DOOR CLOSED.

DESCRIPTION OF OPERATION:

- Door "A" normally closed and locked.
- Door "B" normally closed and unlocked.
- Unlocking Door "A" locks Door "B" until Door "A" is closed and re-locked.
- Opening Door "B" voids release of Door "A" until Door "B" is re-closed.