

EMLock EZ Kits

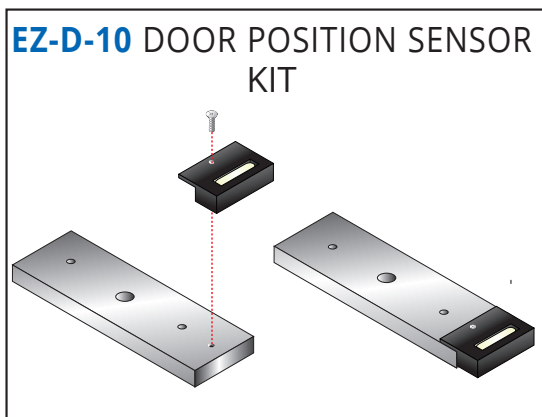
Field Upgradeable Option Modules for 1511, 1512, 1571 and 1572

No need to ever remove a lock from the frame to upgrade or exchange internal components.

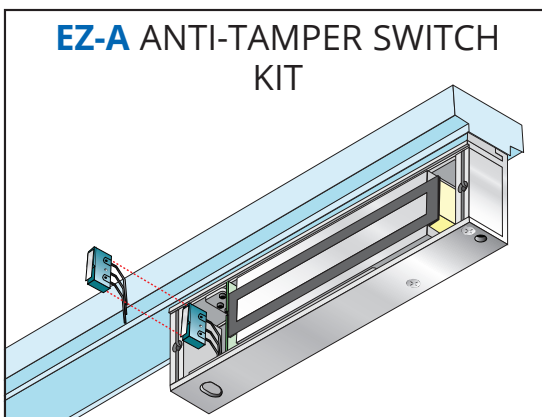
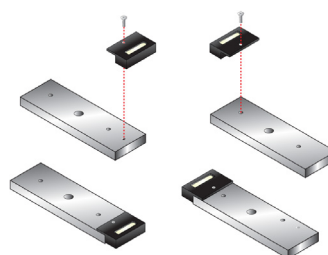


FIELD UPGRADE KITS

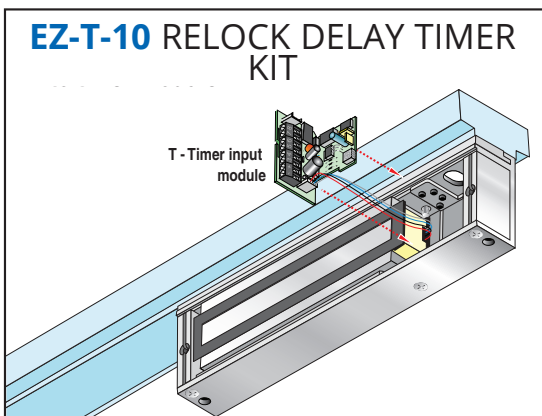
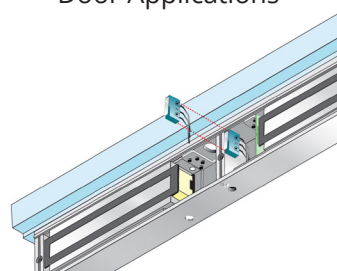
- Door Position Sensors
- Anti-Tamper Switch
- Relock Delay Timer



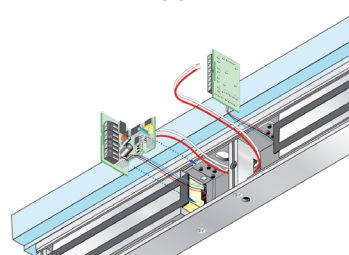
Order (2) for Double Door 1512 and 1572 Applications



Order (1) for Single or Double Door Applications



Order (1) for Single or Double Door Applications



Field Upgradeable by Distributors, Installers and Maintenance Staff

