

**EMLock®**  
**Lifetime Warranty**


**BHMA**  
**CERTIFIED**  
ANSI/BHMA A156.23  
Grade 1

  
3774-0324:100

**MEA**  
City of New York  
768-80-SA

**UL** **US**  
**LISTED**

GWXT Auxiliary Locks  
CVXJ Burglary Resistant  
Electrically Operated  
Door Lock

 **UL10C** Positive Pressure Compliant  
**UBC** Classified in accordance with  
Uniform Building Code standard 7-2  
"Fire Test for Door Assemblies"

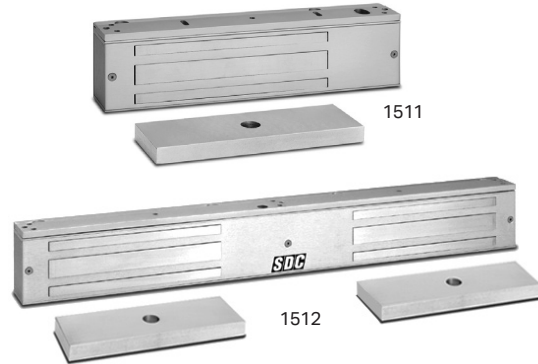
**1510 Series Grade 1**  
**1650 lb / 748 Kg Holding Force**

**ELECTRICAL SPECIFICATIONS**

**Voltage:** 12/24VDC Voltage Sensing Input  
**Single:** 350mA @ 24VDC; 670mA @ 12VDC  
**Double:** 700mA @ 24VDC; 1.34A @12VDC

**MECHANICAL SPECIFICATIONS**

**Single:** 11" L x 2-7/8" H x 1-5/8" D  
**Double:** 22" L x 2-7/8" H x 1-5/8" D



**1570 Series Grade 1**  
**1200 lb / 544 Kg Holding Force**

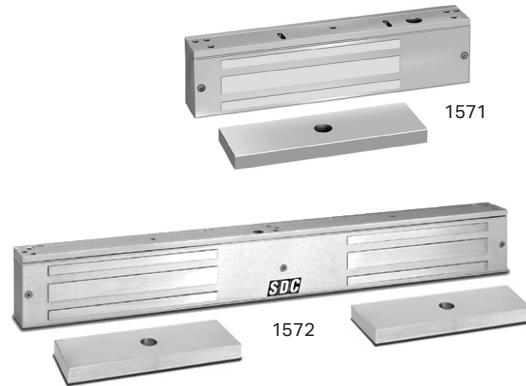
**ELECTRICAL SPECIFICATIONS**

**3 Watt Power Saver**

**Voltage:** 12/24VDC Voltage Sensing Input  
**Single:** 125mA @ 24VDC; 250mA @ 12VDC  
**Double:** 250mA @ 24VDC; 500mA @ 12VDC

**MECHANICAL SPECIFICATIONS**

**Single:** 11" L x 2-7/8" H x 1-5/8" D  
**Double:** 22" L x 2-7/8" H x 1-5/8" D



**1580 Series Grade 1**  
**650 lb / 295 Kg Holding Force**

**ELECTRICAL SPECIFICATIONS**

**Voltage:** 12/24VDC Voltage Sensing Input  
**Single:** 220mA @ 24VDC; 440mA @ 12VDC  
**Double:** 440mA @ 24VDC; 880mA @ 12VDC

**MECHANICAL SPECIFICATIONS**

**Single:** 8-3/4" L x 2-1/8" H x 1-1/4" D  
**Double:** 17-1/2" L x 2-1/8" H x 1-1/4" D



UL294 : Standard for Access Control System Units

**EMLOCK® MODELS** LIST

1650lb / 748 kg Holding Force, Automatic Voltage Sensing Input		
1511	Single EmLock®	499.00
1512	Double EmLock®	998.00
1200lb / 544 kg Holding Force, Automatic Voltage Sensing Input		
1571	Single EmLock®	457.00
1572	Double EmLock®	925.00
650lb / 295 kg Holding Force, Automatic Voltage Sensing Input		
1581	Single EmLock®	381.00
1582	Double EmLock®	751.00

Electromagnetic Locks

SPECIFY FINISH [ ] [ ] [ ] [ ] [ ] [ ] Add to List

Anodized Finishes		Single EmLock	Double Emlock
<b>V</b>	628 Aluminum ( <i>standard</i> )	N/C	N/C
<b>Y</b>	335 Black	89.00	134.00
<b>Powder Coat Finishes</b> (a coating electrostatically applied to form a hard finish, that is tougher than conventional paint)			
<b>X</b>	Dark Bronze Powder Coat Painted (313/613 Equal)	89.00	134.00
<b>C</b>	Brass Powder Coat Painted	89.00	134.00
<b>Plated Finishes - Special order, no cancellation, no returns</b>			
<b>P</b>	625 Bright Chrome	211.00	244.00
<b>Q</b>	626 Dull Chrome	211.00	244.00

SPECIFY OPTIONS [ ] [ ] [ ] [ ] [ ] [ ] List

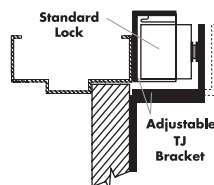
<b>D</b>	Door position sensor. Indicates door open and door closed. <b>Specify two for double EMLocks®</b> SPDT Dry, 250 mA @ 30VDC.	45.00
<b>B</b>	Magnetic bond sensor. Indicates locked with full holding power and unlocked, low holding power, low voltage, tampering and obstruction between armature and magnetic core. <b>Specify (2) for double EmLocks®</b> <ul style="list-style-type: none"> <li>1510 &amp; 1570 Series: SPDT Dry, 250 mA @ 30VDC.</li> <li>1580 Series: SPST N.O., Dry, 250 mA @ 30VDC.</li> </ul>	67.00
<b>A</b>	Anti-tamper sensor. Indicates access cover removal. SPDT Dry, 1 Amp @ 30VDC	56.00
<b>T</b>	Adjustable timer. Built in field adj. 0-30 sec. relock delay. <b>Specify one for single or double EmLocks®</b> (not available with 1580 series)	72.00
<b>L</b>	Bi-color status LED indicator. Field selectable Red and Green. (Not installed in lock.) Indicates lock energized when wired to lock input. Indicates de-energized/unlocked or "Enter/Go" when wired to built-in TD Module Indicates energized <b>and</b> de-energized or "Enter/Go" when wired to access control auxiliary output. Indicates door is closed <b>and</b> locked <b>and</b> door is unlocked when wired to Bond Sensor.	19.00

SPECIFY TOP JAMB MOUNTING KIT [ ] [ ] [ ] [ ] [ ] [ ] Distributor Discount Code GK LIST



Kits for 1571 and 1511 Locks		Kits for 1581 Locks	
<b>TJ1</b>	Single	<b>TJ81</b>	Single
<b>TJ2</b>	Double	<b>TJ82</b>	Double
			134.00
			218.00

			Add to List		
Anodized Finishes			Single Top Jamb	Double Top Jamb	
<b>V</b>	628 Aluminum (std)	N/C	<b>Y</b> Black Anodized	89.00	177.00
<b>Powder Coat Finishes</b> (a coating electrostatically applied to form a hard finish, that is tougher than conventional paint)					
<b>X</b>	Dark Bronze Powder Coat Painted	<b>C</b>	Brass Powder Coat Painted	89.00	177.00
<b>Plated Finishes - Special order, no cancellation, no returns</b>					
<b>P</b>	625 Bright Chrome	<b>Q</b>	626 Dull Chrome	211.00	244.00



Electromagnetic Locks



**SPECIFY GLASS DOOR MOUNTING KIT**

Distributor Discount Code **GK** [List](#)

- Field adjustable for 1/2", 5/8" and 3/4" all glass Herculite doors

**Kits for 1511, 1571, 1581**

**Kits for 1512, 1572, 1582**

<b>HDB1</b>	Single	<b>200.00</b>	<b>HDB2</b>	Double, 2 single kits	<b>400.00</b>
-------------	--------	---------------	-------------	-----------------------	---------------

[Add to List](#)

**Anodized Finishes**

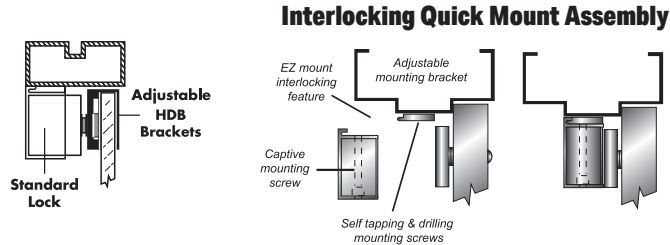
<b>V</b> 628 Aluminum (std)	<b>N/C</b>	<b>Y</b> Black Anodized	<b>Single</b>	<b>Double</b>
			<b>89.00</b>	<b>177.00</b>

**Powder Coat Finishes** (a coating electrostatically applied to form a hard finish, that is tougher than conventional paint)

<b>X</b> Dark Bronze Powder Coat Painted	<b>C</b> Brass Powder Coat Painted	<b>89.00</b>	<b>177.00</b>
--	------------------------------------	--------------	---------------

**Plated Finishes - Special order, no cancellation, no returns**

<b>P</b> 625 Bright Chrome	<b>Q</b> 626 Dull Chrome	<b>112.00</b>	<b>222.00</b>
----------------------------	--------------------------	---------------	---------------



**Vertical Housing EMLock**

**GK LIST**

**Vertical Housings** - Side jamb mount, provides 2,400 or 3,300 lbs. of holding force.

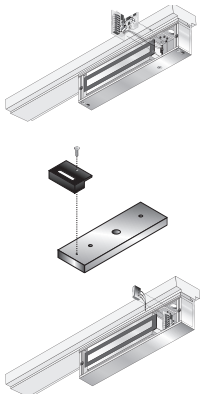


<b>1572VV82</b>	Vertical Housing for 1572 EMLock, 82" length, for 84" opening - INCLUDES EMLock	<b>1,662.00</b>
<b>1512VV82</b>	Vertical Housing for 1512 EMLock, 82" length, for 84" opening - INCLUDES EMLock	<b>1,722.00</b>

Custom Length (1512 or 1572) [Add to List](#)

<b>CV</b>	<i>Custom length - any length OVER 82". Specify exact length</i>	<b>1,248.00</b>
-----------	--	-----------------

**Field Installed Modular Upgrade Kits**



Ordered separately for field upgrade without removing the lock from the frame

<b>EZ-T-10</b>	<b>Adjustable Timer Input Module:</b> Specify (1) for single or double EmLocks® (not available with 1580 series)	<b>72.00</b>	<b>EZ-A</b>	<b>Anti-Tamper Switch Module:</b> Indicates cover plate removal.	<b>56.00</b>
<b>EZ-D-10</b>	<b>1510, 1570 Door Position Sensor Module:</b> Specify (2) for double EMLocks®	<b>45.00</b>	<b>EZ-D-80</b>	<b>1580 Door Position Sensor Module:</b> Specify (2) for double EmLocks®	<b>45.00</b>

**Reusable Heavy Duty Drill Fixture**

Distributor Discount Code **G** **LIST**



<b>1511-DF</b>	Heavy duty drill fixture for 1571 and 1511	<b>167.00</b>
<b>1581-DF</b>	Heavy duty drill fixture for 1580	<b>167.00</b>

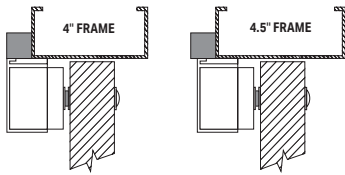
## Universal Header Bracket

Distributor Discount Code **GK LIST**

Used in lieu of angle brackets, the Universal Header Bracket provides a faster mounting solution, saving time and labor costs for several EmLock® models. Reduce potential for mis-sized and misaligned mounting holes, broken taps, removal of broken taps. Combined with interlocking E-Z mount assembly, save up to a half day's labor with the installation of 12 locks.

### FEATURES

- Solid 1" bar provides higher security and superior aesthetics.
- Multiple pre-drilled and tapped mounting holes to accommodate the use of several different locks on either 4" or 4.5" aluminum frames
- Machined wire chase provides concealed and secure wiring



<b>UB11V</b>	Bracket for 1511, 1571. 1" x 1" x 11"	<b>72.00</b>
<b>UB12V</b>	Bracket for 1512, 1572. 1" x 1" x 22"	<b>142.00</b>

See special finishes page 8



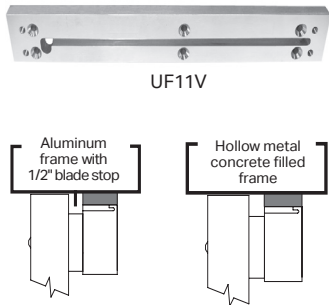
## Aluminum Spacer Bracket & Concrete Filled Frame Plate - Pre-Drilled & Tapped **GK LIST**

### APPLICATION

- Aluminum frames with blade stop - lowers EmLock® below blade stop
- Concrete filled hollow metal frames - provides multiple points for concealed wire entry

### FEATURES

- Pre-drilled and tapped specifically for 1510, 1570, 1580 EmLock
- Machined wire chase provides multiple points for concealed wire entry from concrete filled frames.



<b>UF11V</b>	Bracket for 1511, 1571. 1/2" x 1-1/2" x 11"	<b>100.00</b>
<b>UF12V</b>	Bracket for 1512 and 1572. 1/2" x 1-1/2" x 22"	<b>124.00</b>
<b>UF81V</b>	Bracket for 1581. 1/2" x 1-1/4" x 8-3/4"	<b>81.00</b>
<b>UF82V</b>	Bracket for 1582. 1/2" x 1-1/4" x 17-1/2"	<b>112.00</b>

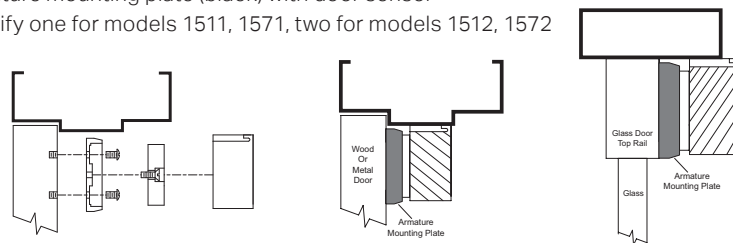
## Armature Mounting Plate

Distributor Discount Code **GK LIST**

The AR Mounting plate provides a solution for mounting the EmLock® armature to the top rail of aluminum, glass, wood and hollow metal doors that do not permit the use of thru bolts. **Dimension:** 8 1/2" x 3"

### MODEL

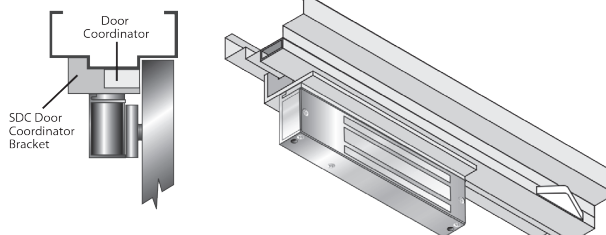
<b>AR11Y</b>	Armature mounting plate (Black) Specify one for models 1511, 1571, two for models 1512, 1572	<b>67.00</b>
<b>AR11YD</b>	Armature mounting plate (black) with door sensor Specify one for models 1511, 1571, two for models 1512, 1572	<b>112.00</b>



## Door Coordinator Lock Mounting Kit

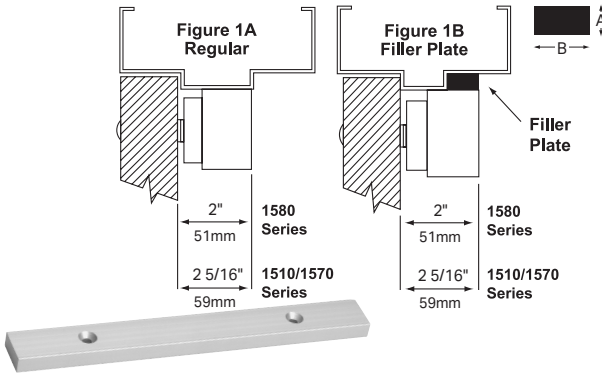
Distributor Discount Code **GK LIST**

<b>DC-1</b>	Door coordinator mounting bracket for single models 1511 and 1571.	<b>134.00</b>
<b>DC-2</b>	Door coordinator mounting bracket for double models 1512 and 1572.	<b>244.00</b>



## Filler Plates

Distributor Discount Code **GK**



**FILLER PLATES:** For extension of the stop to provide a proper mounting surface on the underside of the header. See Figure 1B.

### FOR 8-3/4" (222mm) SINGLE EMLOCK MODELS GK

1581, 1581DEV

PART #	A x B	LIST
FP01	1/8" x 1-1/4" (3 x 32mm)	34.00
FP02	1/4" x 1-1/4" (6 x 32mm)	37.00
FP03	3/8" x 1-1/4" (10 x 32mm)	39.00
FP04	1/2" x 1-1/4" (13 x 32mm)	41.00
FP05	5/8" x 1-1/4" (16 x 32mm)	41.00

### FOR 11" (279mm) SINGLE EMLOCK MODELS

1511 1571 1511S 1511DEV 1581S  
1511T 1571DEV

PART #	A x B	LIST
FP11	1/8" x 1-1/4" (3 x 32mm)	38.00
FP12	1/4" x 1-1/4" (6 x 32mm)	39.00
FP13	3/8" x 1-1/4" (10 x 32mm)	39.00
FP14	1/2" x 1-1/4" (13 x 32mm)	43.00
FP15	5/8" x 1-1/4" (16 x 32mm)	45.00

### FOR 17-1/2" (445mm) DOUBLE EMLOCK MODEL GK

1582

PART #	A x B	LIST
FP30	1/8" x 1-1/4" (3 x 32mm)	43.00
FP31	1/4" x 1-1/4" (6 x 32mm)	45.00
FP32	3/8" x 1-1/4" (10 x 32mm)	47.00
FP33	1/2" x 1-1/4" (13 x 32mm)	49.00
FP34	5/8" x 1-1/4" (16 x 32mm)	52.00

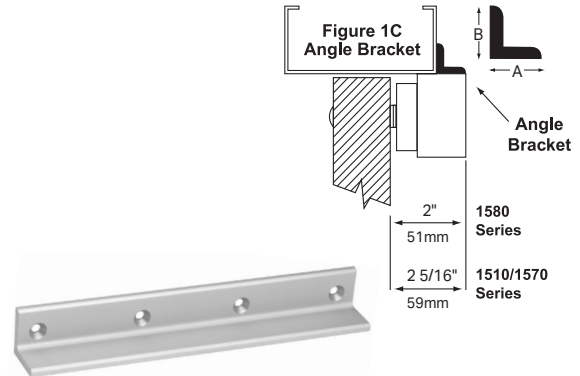
### FOR 22" (559mm) DOUBLE EMLOCK MODELS

1512 1572

PART #	A x B	LIST
FP21	1/8" x 1-1/4" (3 x 32mm)	43.00
FP22	1/4" x 1-1/4" (6 x 32mm)	45.00
FP23	3/8" x 1-1/4" (10 x 32mm)	47.00
FP24	1/2" x 1-1/4" (13 x 32mm)	49.00
FP25	5/8" x 1-1/4" (16 x 32mm)	52.00

## Angle Brackets

Distributor Discount Code **GK**



**ANGLE BRACKETS:** Used as extension on shallow door frames to provide adequate mounting surface. See Figure 1C.

### FOR 8-3/4" (222mm) SINGLE EMLOCK MODELS GK

1581, 1581DEV

PART #	A x B	LIST
AB01	1" x 1" (25 x 25mm)	43.00
AB02	1" x 1-1/2" (25 x 38mm)	45.00
AB03	1-1/2" x 1-1/2" (38 x 38mm)	47.00
AB04	2" x 1-1/2" (51 x 38mm)	49.00

### FOR 11" (279mm) SINGLE EMLOCK MODELS GK

1511 1571 1511S 1511DEV 1581S  
1513 1511T 1571DEV

PART #	A x B	LIST
AB11	1" x 1" (25 x 25mm)	45.00
AB12	1" x 1-1/2" (25 x 38mm)	47.00
AB13	1-1/2" x 1-1/2" (38 x 38mm)	49.00
AB14	2" x 1-1/2" (51 x 38mm)	52.00

### FOR 17-1/2" (445mm) DOUBLE EMLOCK MODEL GK

1582

PART #	A x B	LIST
AB30	1" x 1" (25 x 25mm)	56.00
AB31	1" x 1-1/2" (25 x 38mm)	60.00
AB32	1-1/2" x 1-1/2" (38 x 38mm)	65.00
AB33	2" x 1-1/2" (51 x 38mm)	69.00

### FOR 22" (559mm) DOUBLE EMLOCK MODELS GK

1512 1572

PART #	A x B	LIST
AB21	1" x 1" (25 x 25mm)	56.00
AB22	1" x 1-1/2" (25 x 38mm)	60.00
AB23	1-1/2" x 1-1/2" (38 x 38mm)	65.00
AB24	2" x 1-1/2" (51 x 38mm)	69.00

### SPECIFY FINISH

Add to List

	Single EmLock	Double EmLock
<b>V</b> 628 Aluminum (standard)	N/C	N/C
<b>Y</b> 335 Black Anodized	34.00	67.00
<b>Powder Coat Finishes</b> (a coating electrostatically applied to form a hard finish, that is tougher than conventional paint)		
<b>X</b> Dark Bronze Powder Coat Painted	34.00	67.00
<b>C</b> Brass Powder Coat Painted	34.00	67.00
<b>Plated Finishes - Special order, no cancellation, no returns</b>		
<b>P</b> 625 Bright Chrome	34.00	67.00
<b>Q</b> 626 Dull Chrome		