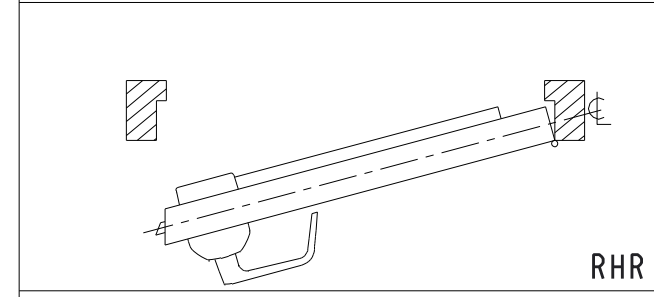
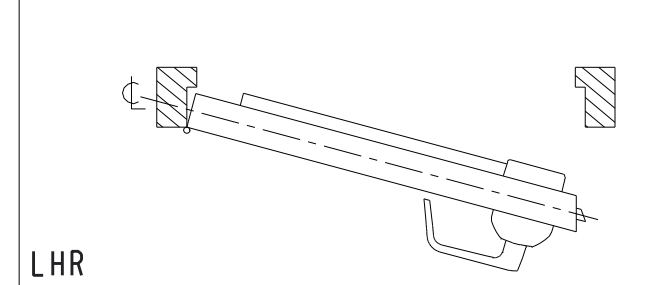


- NOTES:
- FOR DIMENSIONS AND TOLERANCES REFER TO CORRESPONDING DOOR PREPARATION DRAWING IP#.
 - FOR EXIT DEVICE AND MORTISE LOCK CUT-OUT REFER TO EXIT DEVICE MANUFACTURER INSTALLATION INSTRUCTIONS.
 - BACKSET SHOWN FOR REFERENCE ONLY, ADJUST BACKSET TO EXIT DEVICE MANUFACTURER INSTALLATION INSTRUCTIONS.
 - HOLES A: FROM THE INSIDE OF THE DOOR, DRILL HOLES (SEE TABLE)
 - SYMBOLS:
 - ∇ DEEP
 - ⊕ CENTER LINE OF DOOR
 - ∅ DIAMETER
 - NOT TO SCALE
 - HOLES D: ONLY LOCK WITH MESSENGER OR BLUETOOTH. FOR COMPLETE HOLE PATTERN REFER TO DRAWING IP-515149/DT-515149 (RIM OR MORTISE LOCKS).
 - ALL DIMS INCHES [mm]

HOLE ID	DIM INCH/(mm)	∇ INCH/(mm)	COMMENTS
A	∅5/16 (7,95)	∇3/4 (19.05)	SEE NOTE #4
B	∅1/2 (12,7)	*	-
C	∅1 (25,4)	*	SEE NOTE #2
D	∅3/4 (19.05)	*	SEE NOTE #6

* UNLESS OTHERWISE NOTED, DRILL HALF DOOR THICKNESS ON BOTH SIDES.

DO NOT REPRODUCE
 CONTACT CUSTOMER SUPPORT
 ILCO 1-877-468-3555
 SAFLOK 1-800-999-6213
 E-PLEX POWER-PLEX
 1-800-849-8324

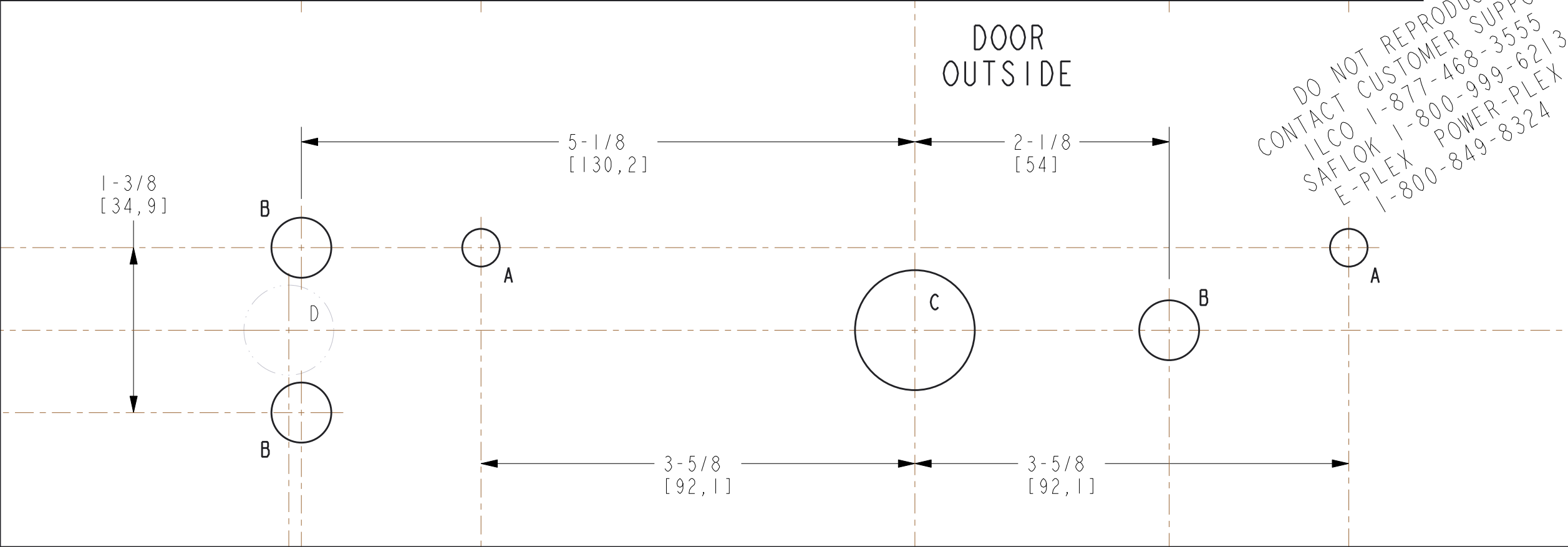
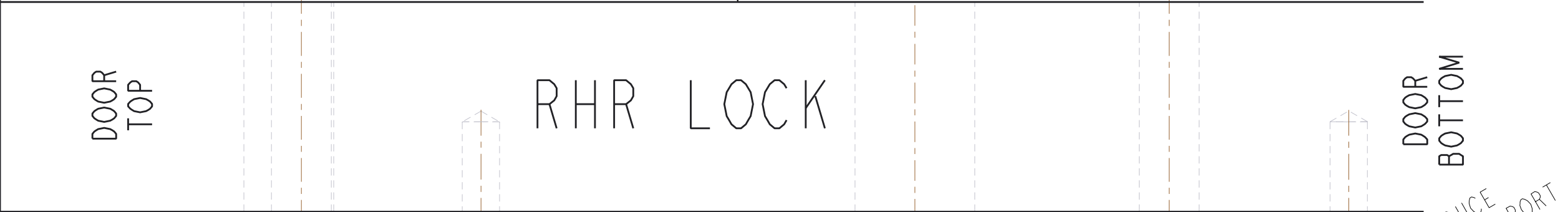
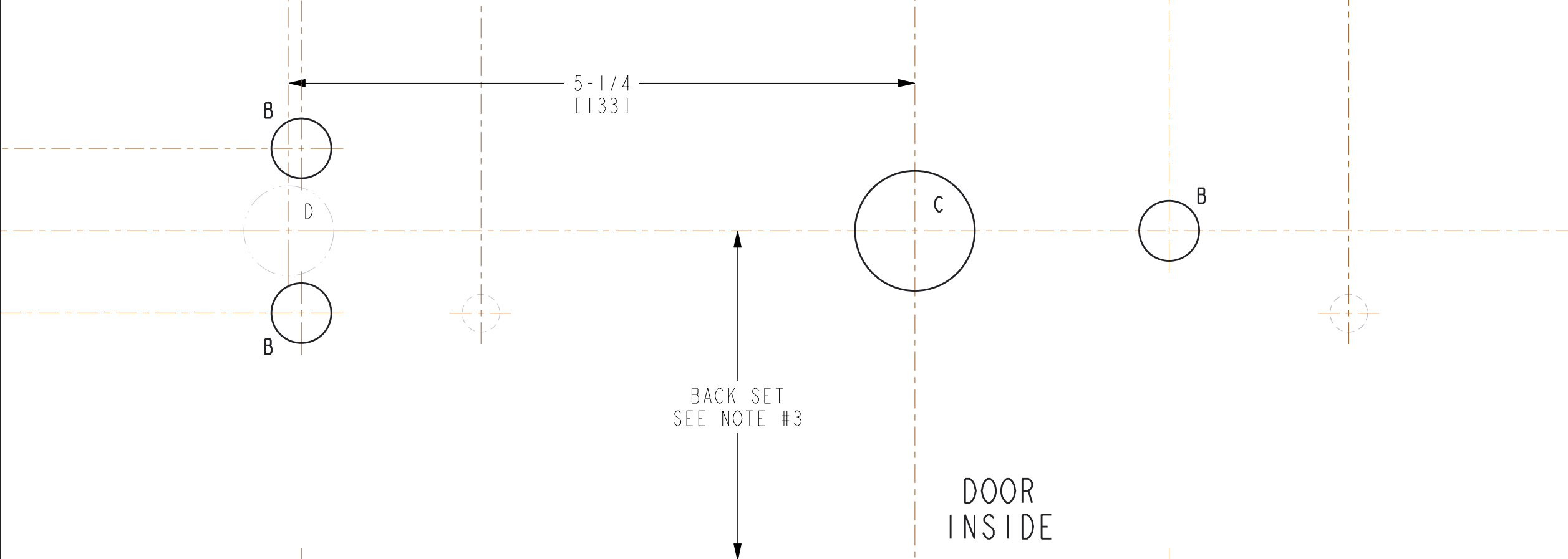


630, 730, 750, 79E, E-PLEX 2000 AND POWER-PLEX 2000 LOCK SERIES DRILLING TEMPLATE YALE 7160.



www.kabalodgingsupport.com

SHEET 1 OF 2	DATE 02NO2016	UNE VERSION FRANCAISE DE CE DOCUMENT EST DISPONIBLE SUR DEMANDE.	
	ECN 16007	DT-513066	REV-3

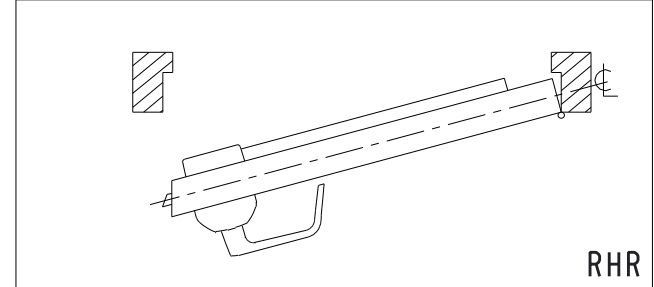
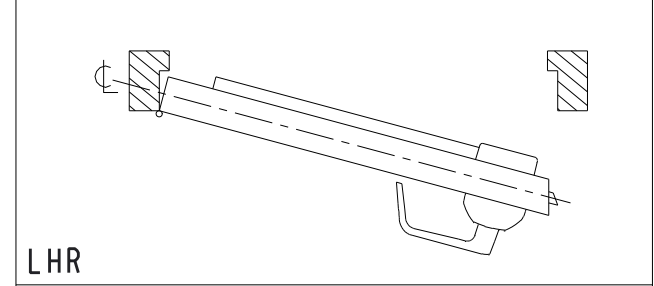


DO NOT REPRODUCE
 CONTACT CUSTOMER SUPPORT
 ILCO 1-877-468-3555
 SAFLOK 1-800-999-6213
 E-PLEX POWER-PLEX
 1-800-849-8324

- NOTES:
- FOR DIMENSIONS AND TOLERANCES REFER TO CORRESPONDING DOOR PREPARATION DRAWING IP#.
 - FOR EXIT DEVICE AND MORTISE LOCK CUT-OUT REFER TO EXIT DEVICE MANUFACTURER INSTALLATION INSTRUCTIONS.
 - BACKSET SHOWN FOR REFERENCE ONLY, ADJUST BACKSET TO EXIT DEVICE MANUFACTURER INSTALLATION INSTRUCTIONS.
 - HOLES A: FROM THE INSIDE OF THE DOOR, DRILL HOLES (SEE TABLE)
 - SYMBOLS:
 - ∇ DEEP
 - ⊕ CENTER LINE OF DOOR
 - ∅ DIAMETER
 - ↔ NOT TO SCALE
 - HOLES D: ONLY LOCK WITH MESSENGER OR BLUETOOTH. FOR COMPLETE HOLE PATTERN REFER TO DRAWING IP-515149/DT-515149 (RIM OR MORTISE LOCKS).
 - ALL DIMS INCHES [mm]

HOLE ID	DIM INCH/(mm)	∇ INCH/(mm)	COMMENTS
A	∅ 5/16 (7,95)	∇ 3/4 (19,05)	SEE NOTE #4
B	∅ 1/2 (12,7)	*	-
C	∅ 1 (25,4)	*	SEE NOTE #2
D	∅ 3/4 (19,05)	*	SEE NOTE #6

* UNLESS OTHERWISE NOTED, DRILL HALF DOOR THICKNESS ON BOTH SIDES.



630, 730, 750, 79E, E-PLEX 2000 AND POWER-PLEX 2000 LOCK SERIES DRILLING TEMPLATE YALE 7160.



www.kabalodgingsupport.com

SHEET 2 OF 2	DATE 02NO2016	UNE VERSION FRANCAISE DE CE DOCUMENT EST DISPONIBLE SUR DEMANDE.	
	ECN 16007	DT-513066	REV-3