

E-Plex Electronic Lock

5600 – 5700 Series

E-Plex 5600 & 5700 electronic offline locks



E-Plex series of locks creates a range of access control solutions. They are ideal for cost effective access control or augmenting an existing access control system allowing you to utilize existing credentials and infrastructure.

Quick and easy to install and maintain, the E-Plex 5600 and 5700 Series can function in both wireless or offline modes using dormakaba's Keyscan Aurora Access Control software platform. The complementary Keyscan LUNA Access Management Software platform is recommended for small offline only installations that are ideal for small business.

Both support PIN codes and can also be used as a 'stand-alone' access solution through a facility.

The E-Plex 5600 model supports 13.56MHz high-frequency credential formats (MIFARE, DESFire, and iCLASS) and PIN codes; the 5700 model supports 125kHz standard security "prox" credential formats.

Also available in Narrow stile models (E-Plex 3600/3700)



E-Plex 5600 & 5700 electronic wireless locks

Features & Benefits

Programming

- Keyscan Aurora software – wireless or offline (requires M-Unit handheld)
- Keyscan LUNA software – offline only (requires M-Unit)
- Keypad: via keypad with LearnLok feature

Ease of Installation

- No wire to or through the door

Number of Users

- Keyscan Aurora: Up to 45,000
- Keyscan LUNA: Up to 10,000
- E-Plex Enterprise: Up to 3,000
- Stand-alone: Up to 300 access codes (LearnLok™)

Handing

Non-handed, pre-assembled for left-hand door installations—easily changed in the field

Key Override

Key-in-lever cylinders, small format interchangeable cores, large format removable cores

Lock Function Customization

Locks are easily customized on site via keypad to work as various BHMA lock functions, eliminating the requirement to stock multiple locks for different applications. Built-in options include: Entry, Privacy, and Residence lock, (thumbturn required for privacy and residence functions)

Three Operation Modes (Credentials)

- PIN only, card only or PIN + card access per access schedule
- Lockout
- Passage—can be toggled on/off or pre-programmed to relock manually or via software

Scheduling

Access Schedules—Up to 16 different access schedules can be programmed into lock

Holiday / Vacation—Up to 32 different holiday / vacation blocks can be programmed into lock

Passage Options

- First manager in (or privileged user)
- Automatically according to access schedules
- Manually toggled on / off at lock

Authority Levels

Six different levels allow who has access to specific lock functions, including:

Master Level—Performs all set-up and programming functions

Manager Level—Administers common programming functions

Access User Level—Entry granted with valid credential(s)

Service Level—PIN-only credential for single event or up to four-day access, programmable in advance; no expiry for „Super“ Service user

Guest Level—1-365 day durations

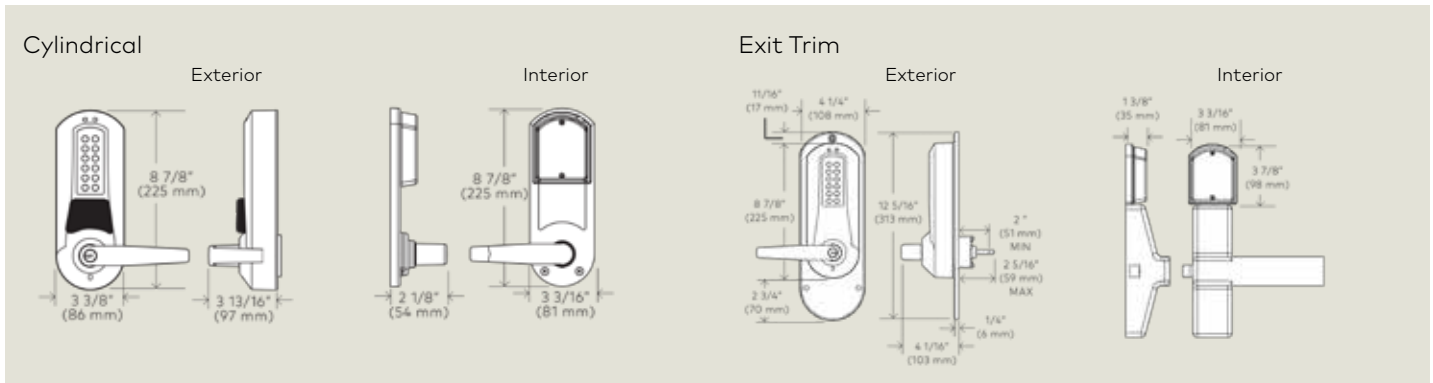
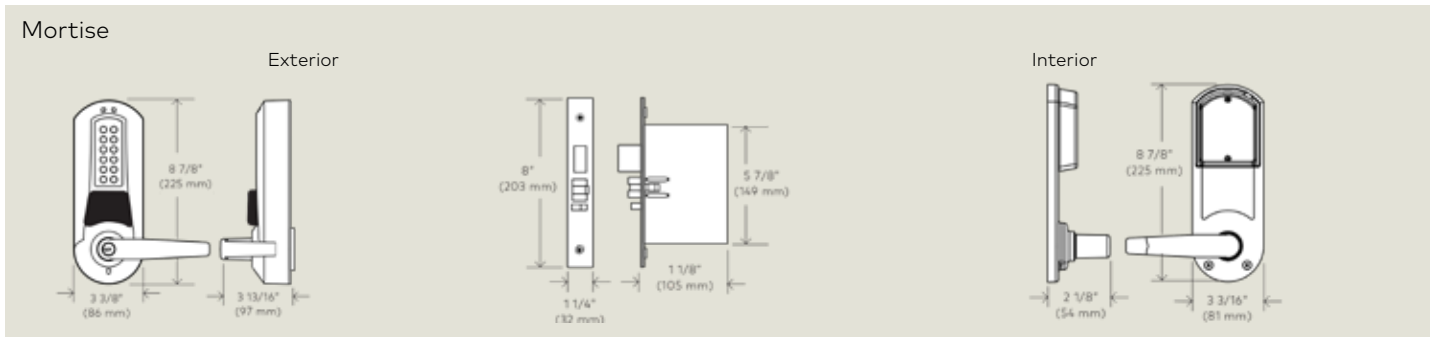
Maintenance Level—No access is granted, but information can be uploaded/downloaded to/from the lock with handheld unit

User Parameters

PIN length—Adjustable to accept 4 to 8 digits

Anti-tamper lockout—Adjustable from 3 to 9 invalid attempts with an adjustable period of 0 to 90 seconds

Relock time—Adjustable from 2 to 20 seconds



Optional Software Features



E-Plex 5600/5700 offline with Keyscan LUNA and M-Unit handheld



E-Plex 5600/5700 offline with Keyscan Aurora and M-Unit handheld



E-Plex 5600/5700 Wireless with Keyscan Aurora

Specifications

Construction	Extra heavy-duty lockset, solid cast housing, and solid cast lever or thumbturn wear tested for extensive use in indoor and outdoor applications
Numeric Keypad	Vandal resistant, solid metal pushbuttons
Handing	Cylindrical and E-Plex Mortise—Non-handed, pre-assembled for left-hand door installations— easily changed in the field Exit Trim—Non-handed
Backset	Cylindrical—23/4" (70 mm), 23/8" (60 mm) Mortise—23/4" (70 mm) Exit Trim—Varies by exit device type
Latch	Cylindrical—1/2" (13 mm) latch, 3/4" (19 mm) latch (optional) with three-hour UL/ULC fire rating Mortise—3/4" (19 mm) latch, 1" (25 mm) deadbolt (optional).
Minimum Stile	5" (127 mm)
Weight	Cylindrical—9.5 lbs. (4.30 kg) Exit Trim—9.5 lbs. (4.30 kg) Mortise—11.5 lbs. (5.20 kg)
Universal Key-In-Lever Cylinders	Includes Kaba 1599 6-pin cylinder (prepped to Kaba 90 or Schlage "C" Keyway, keyed different) and tailpieces for compatibility with: Abloy 5277 Corbin Russwin 2000-03 Marks Abloy 5477 Kaba 1539 Medeco 20W200H1 Arrow C100 Kaba 1599 Sargent 10 Line ASSA 65611 Kaba Gemini 4730 Schlage 23-001 ASSA 65691 Kaba Peaks 1099 Schlage Primus 20-760 Australian: Kaba expert 107K5, Boyd KC286 European: Quattro S/Expert, AP2 (5 and 6-pin)
Interchangeable Cores	Small format Best and equivalents (6 or 7-pin length)
Removable Cores	Large format ASSA, Medeco, Yale, Abloy (5 or 6-pin), Corbin Russwin, Schlage, and Sargent
Ease of Installation	LectroBolt eliminates wiring to or through the door—no risk of pinched wires
Door Preparation	Cylindrical and Exit Trim—ASA 161 (Easily installs on door preparation with two additional through bore holes (wood or metal doors) Mortise—ASA 86 door preparation with two additional through bore holes
Door Thickness	Cylindrical—1 3/8" (35 mm) to 2 1/4" (57 mm) Pre-assembled to accommodate doors 1 5/8" (41 mm) to 2" (50 mm) Mortise—1 3/4" (44 mm) to 2 1/4" (57 mm) Pre-assembled to accommodate doors 1 5/8" (41 mm) to 2" (50 mm) Exit Trim—1 3/4" (44 mm) to 2 1/4" (57 mm) Pre-assembled to accommodate doors 1 3/4" (44 mm) to 2 1/8" (54 mm)
Items Supplied	Cylindrical and Mortise—Lock assembly, installation manual, template, quick reference guide, operations manual, and required hardware Exit Trim—Lock assembly, installation manual, template, quick reference guide, operations manual, and required hardware. Exit Device and mounting hardware not included.
Additional Items Supplied with Key-in-Lever Cylinder Model Only	Cylindrical and Mortise—Universal Kaba 1599 6-pin cylinder with tailpiece, four additional tailpieces, and two nickel silver keys Exit Trim—Universal Kaba 1599 6-pin cylinder with tailpiece, four additional tailpieces, nickel silver keys, and spare cylinder retainer
Accessibility Standard	Americans with Disabilities Act (ADA)
Durability	Cylindrical—ANSI/BHMA A156.2, Grade 1 Certification Mortise—ANSI/BHMA A156.13, Grade 1 Certification Exit Trim—ANSI/BHMA A156.3, Grade 1 Certification Electronic—ANSI/BHMA A156.25, Grade 1 Certification
Fire Rating	Three-hour UL/ULC fire door rating for "A" labeled doors
Environmental	Indoor/Outdoor Approved Front Housing: -31 °F (-35 °C) to + 151 °F (66 °C) Rear Housing: -31 °F (-35 °C) to + 130 °F (55 °C)
Standard Finishes	Satin Chrome 26D (626) housings and levers Black (676) housings with Satin Chrome (626) levers and accents
Optional Finishes	Bright Brass 03 (605) housings and levers Satin Brass 04 (606) housings and levers Bright Chrome 026 (625) housings and levers Dark Bronze (744—simulates 10B/613) housings and levers with Satin Brass (606) pushbuttons
Warranty	Three-year warranty from date of installation; built-in warranty counter in lock memory

© dormakaba 2021 dormakaba USA, Inc. All rights reserved. While reasonable efforts were made to ensure the accuracy of this document at the time of printing, dormakaba assumes no liability for any errors or omissions. This information is subject to be revised without notice, and changes may be incorporated in future releases

dormakaba USA, Inc.
6161 E. 75th Street
Indianapolis, IN 46250

1 800 849-8324

www.dormakaba.us

KAA1443 03-21