

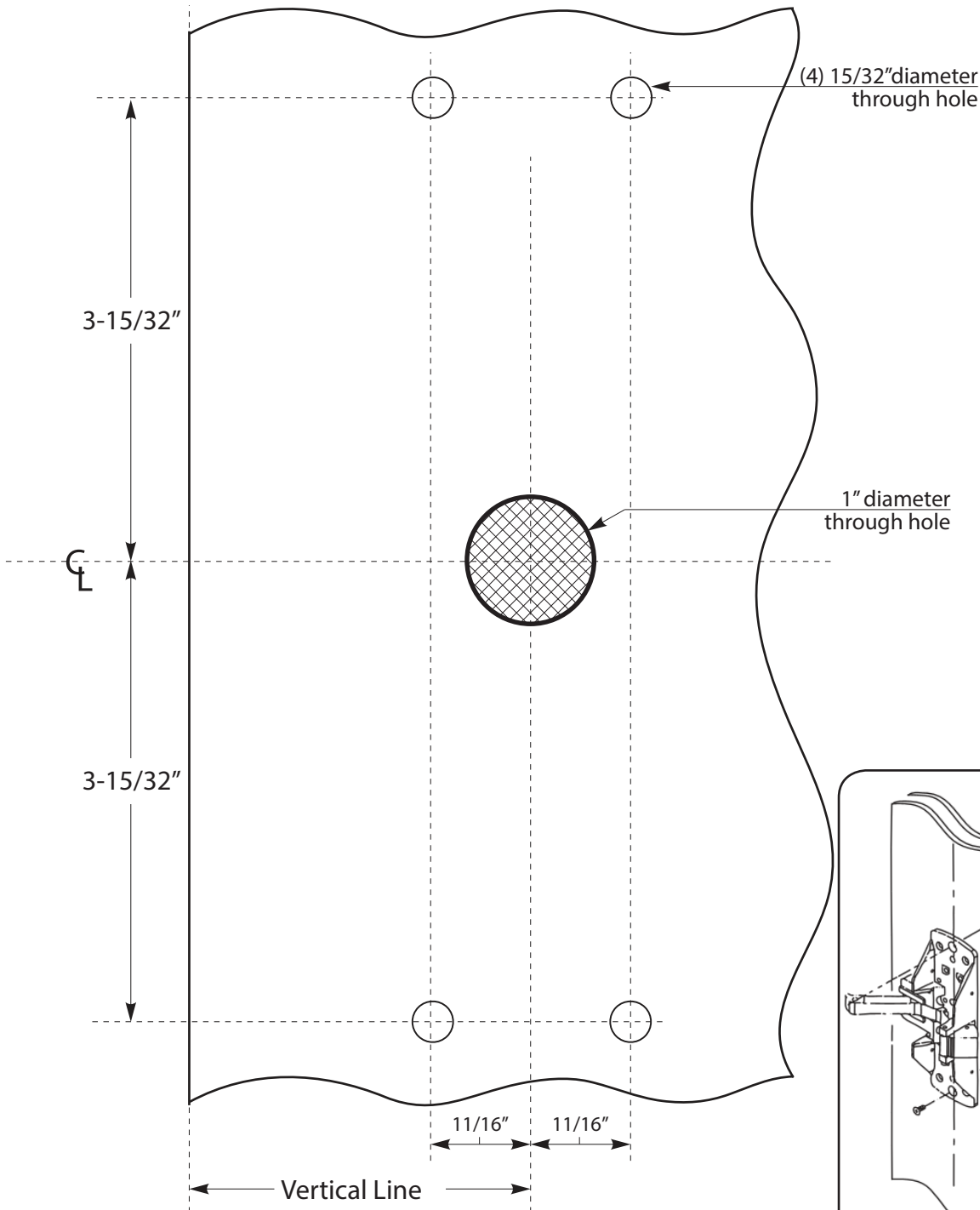
# Installation Instructions

## ET26 Series



### Template for Command Access ET26 RIM/SVR Exit Trim

*\*NOT TO SCALE*



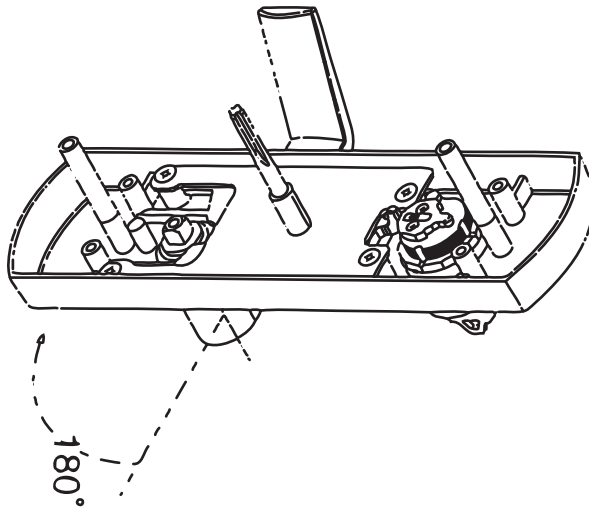
Lockable Escutcheon Lever Trim. Key locks and unlocks lever.

**13 Function Entrance**

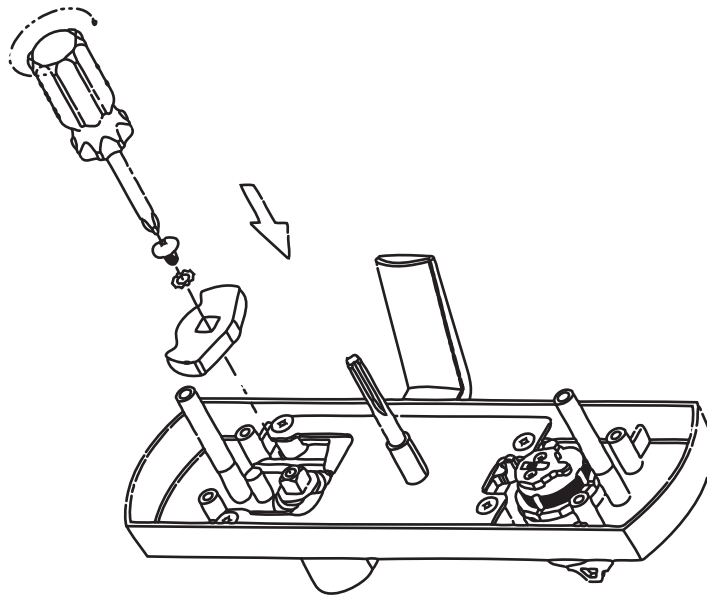
Attach the collar and mortise cylinder to the escutcheon case with mortise nut, attach case to door thru-bolting (2) screws to the chassis, aligning spindle to hub of the chassis.

## Handing for Command Access ET26 Exit Trim

1. Rotate lever to RHR  
positioned at 180 degrees



2. Place and fasten cam piece with  
locked type washer and screw



3. Done

