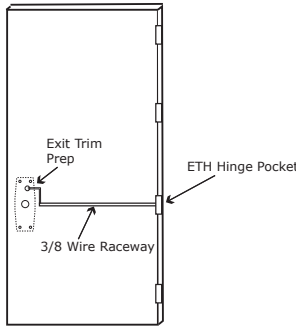


Installation Instructions PH49EU/PH49EL

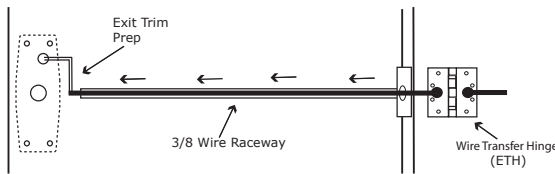


Precision Electric Exit Trim modified by Command Access Technologies

STEP 1: The door must be machined with a 3/8" wire raceway, Exit Trim & prepped for a energy transfer hinge. **Make sure the pocket is free of debris.**

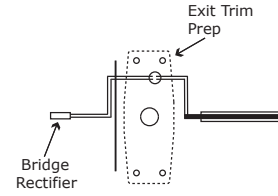


STEP 2: Run the wires from the ETH hinge through the 3/8" raceway starting at the ETH hinge & exiting into the pocket.

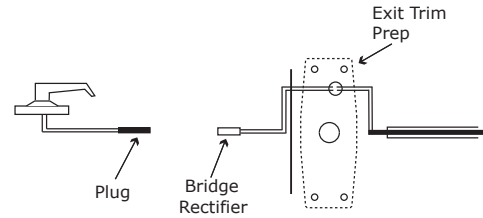


STEP 3: Screw the ETH hinge to the door. At this time **DO NOT** connect the hinge wires on the jamb side to the wires coming from the power supply.

STEP 4: Connect the wires exiting the pocket to the Bridge Rectifier (included).



STEP 5: Connect the Bridge Rectifier to the plug exiting the Electric Exit Trim.



STEP 6: Carefully slip the connected Electric Exit Trim into the pocket paying close attention not to pinch any wires.

STEP 7: Mount the Electric Exit Trim per manufacturer's instructions.

STEP 8: Connect the wires from the power supply at the ETH hinge on the jamb side. Connect the hinge to the jamb.

LEGEND OF TERMS

EU: (Fail Secure) When power is applied, the outside trim will unlock. When power is removed, the outside trim is locked.

EL: (Fail Safe) When power is applied, the outside trim will lock. When power is removed, the outside trim is unlocked.

REE: (Request to Enter Switch) Monitors the outside handle.

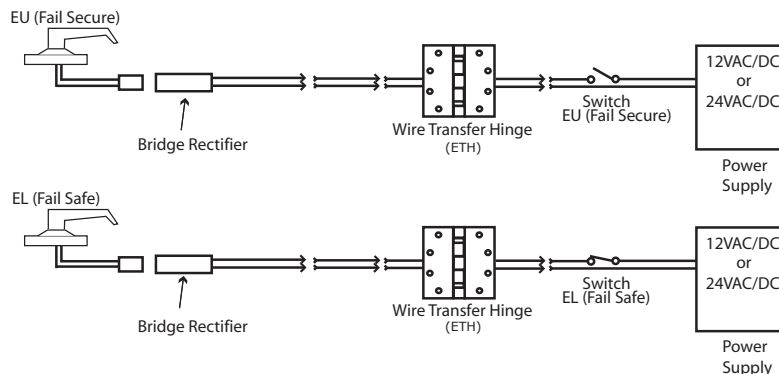
ELECTRICAL SPECIFICATIONS

SOLENOIDS:

VOLTS	CURRENT	COIL RESISTANCE
24VAC/DC	350mA	69 Ohms +/- 10%
12VAC/DC	700mA	18 Ohms +/- 10%

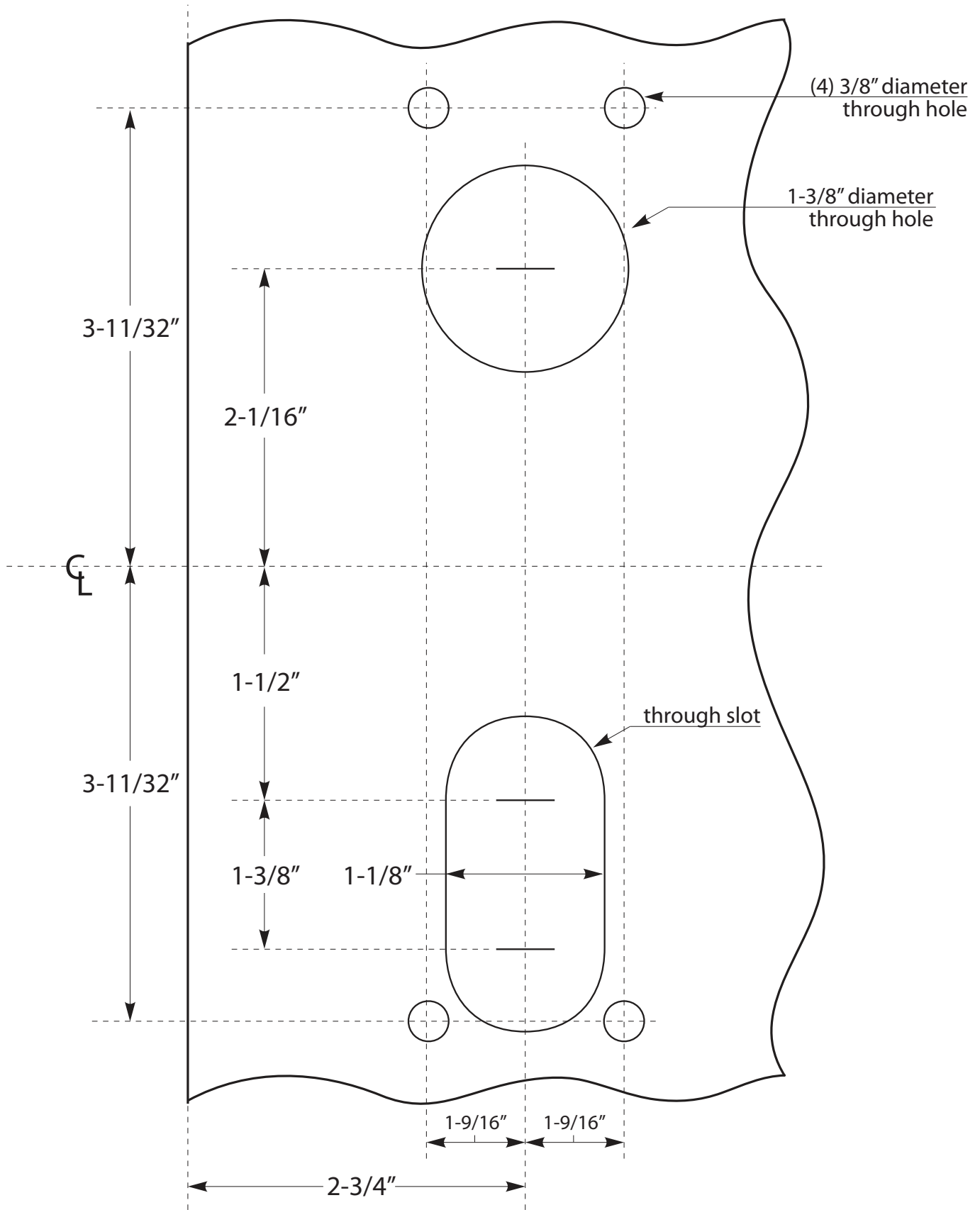
SWITCHES: .5A 24VAC/DC

REE: Green - Common (C)
Blue - Normally Open (NO)
Gray - Normally Closed (NC)



SEE BACK FOR TEMPLATE

Template for Precision PH49EU/PH49EL Mortise Exit Trim



Template for Precision PH49EU/PH49EL Vertical Rod & Rim Exit Trim

