

Part of GE Security

The Edwards 105 Series LED Multi-Status Indicator is a heavy duty beacon designed for use in industrial applications where a corrosion resistant Type 4X enclosure is required. The housing is manufactured from glass-reinforced thermoplastic polyester resin and incorporates brass hardware. The double fresnel lens is made of polycarbonate.

The 105 Chameleon gives you the versatility of 3 visual signals in one compact housing rated for Division 2 locations.

The 105I Series features an onboard processor with an internal jumper that allows the unit to function as either a steady or flashing visual signal. The Chameleon is designed such that any one or all three lights can be activated by either a PLC or contact closure. The first light activated will illuminate either steady or flashing (set by an internal jumper). If a second light is activated, the Chameleon cycles between the two colors. A third

activation causes the Chameleon to cycle between all three colors: red, amber, and green or red, amber, and blue.

The 105 Series has all the functionality of the 105I with the exception of the onboard processor and internal jumper. While both series are PLC compatible, the 105 is designed such that all signal operation is controlled directly through a PLC's ladder logic rather than through the Chameleon's internal processor.

Either unit can be mounted on 3/4" (19 mm) NPT conduit using the 105PM attachment. The units can also be surface or wall mounted using the 105BX and 105BM attachments respectively. For indoor applications, may be vertically mounted with lenses facing up or down. For weatherproof installation, it is recommended that the unit be mounted with the lens facing up or with the lens horizontal.

105 Features

- > Available in 24V DC or 120V AC
- > PLC Compatible
- > Three mounting bases: 3/4" (19 mm) pipe mount attachment, outlet box attachment, or wall mounting bracket
- > 100,000 hour light source life
- > Immune to shock and vibration

Agency Approvals

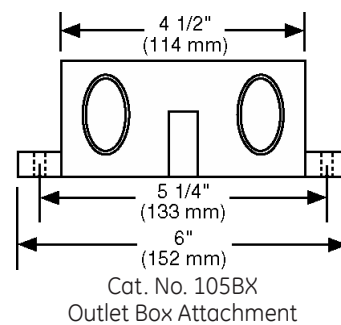
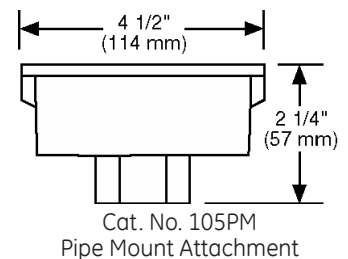
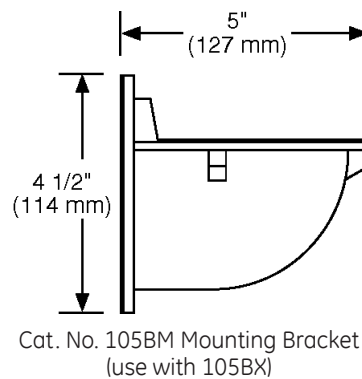
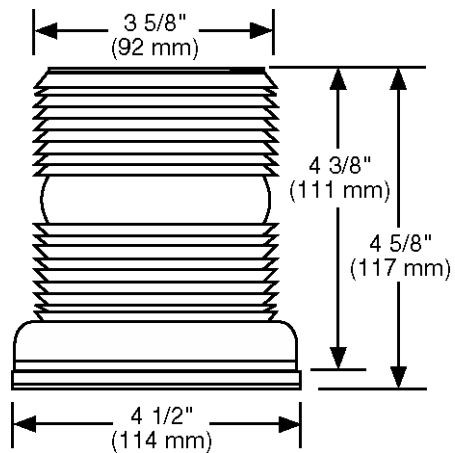
- > UL 1638 and UL 1604 Listed
- > UL Listed Type 4X enclosure
- > UL Listed for Class I, Division 2, Groups A, B, C & D; Class II, Division 2, Groups F & G and Class III locations
- > Marine UL 595 Listed, Category UXUB
- > Marine UL 1598A Listed

Chameleon™ LED Multi-Status Indicator

105 Series



Chameleon LED Multi-Status Indicator



Cat. No.	LED Colors	Lamp Ratings	Voltage	Current	Replacement Lens
105-RGA-N5	Red, Green, Amber	100,000 hours ^{1,2}	120V 60 Hz	0.055A	105-LC
105-RBA-N5	Red, Blue, Amber	100,000 hours ^{1,2}	120V 60 Hz	0.055A	105-LC
105-RGA-G1	Red, Green, Amber	100,000 hours ^{1,2}	24V DC	0.065A	105-LC
105-RBA-G1	Red, Blue, Amber	100,000 hours ^{1,2}	24V DC	0.065A	105-LC
105I-RGA-N5	Red, Green, Amber	100,000 hours ^{1,2}	120V 60 Hz	0.045A	105-LC
105I-RBA-N5	Red, Blue, Amber	100,000 hours ^{1,2}	120V 60 Hz	0.045A	105-LC
105I-RGA-G1	Red, Green, Amber	100,000 hours ^{1,2}	24V DC	0.055A	105-LC
105I-RBA-G1	Red, Blue, Amber	100,000 hours ^{1,2}	24V DC	0.055A	105-LC

¹At nominal operating voltage.

²Projected lamp life based on manufacturer's calculated lamp life @ 65 fpm and 50% duty cycle.

Cat. No.	Class	Division	Group	Operating Temperature
105 Series	I	2	A, B, C, D	T4A (120C, 248F)
	II	2	F, G	T6 (85C, 185F)
	III			T6 (85C, 185F)