

Installation Instructions for 116EX Series AdaptaBeacon® Strobe Lights for Use in Hazardous Locations

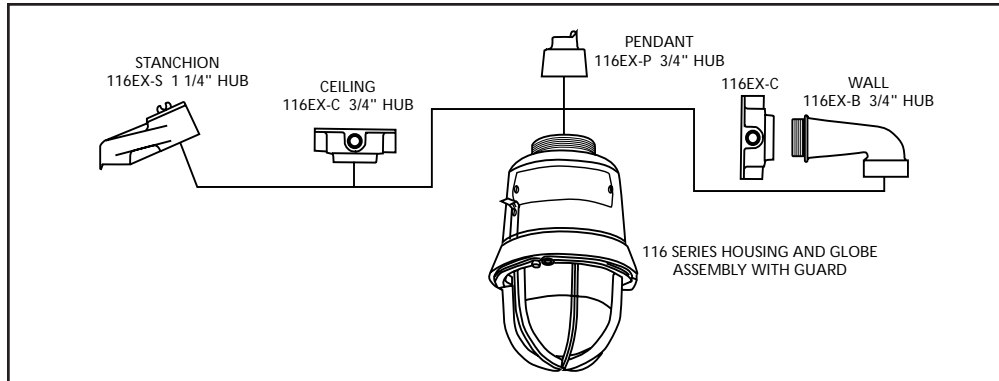


Figure 1. Mounting Options

Description

The 116EX Series AdaptaBeacon strobe signaling appliances are intended for general utility signaling use. The strobes are UL and cUL listed for use in Class I, Division 1, Group C and D, Class I, Division 2, Group A, B, C and D, Class II, Division 1, Group E, F and G, Class II, Division 2, Group F and G, and Class III Division 1 and 2 hazardous locations with operating temperature codes per Table 2.

The strobes are UL and cUL Listed, as Type 3R and 4X enclosures. Additionally, the 120V AC strobes are UL and cUL listed as Marine enclosures.

The strobe flashes a 360-degree beam of light approximately 65 times per minute.

The 12 - 48V DC strobes are available in pendant, bracket, ceiling, or stanchion mount models (Figure 1).

Installation

! WARNING

To reduce the risks of ignition of hazardous atmospheres and shock, do not apply power to the unit until installation has been completed and unit is tightly assembled and secured.

Install this unit in accordance with the applicable requirements in the latest edition of the National Electrical Code and Canadian Electrical Code.

1. Mount using the following applicable method.
 - a. **Pendant Mount Models** (Figure 2): Install the catalog number 116EX-P, pendant mounting module, to the main housing. Install explosion-proof hanger box (not supplied). Secure 3/4" (19 mm) NPT threaded conduit (not supplied) to the box. Install the unit on the conduit. Proceed to step 2.

- b. **Ceiling Mount Models** (Figure 3): Mount the catalog number 116EX-C, ceiling/wall mounting module, using appropriate hardware (not supplied) suitable for the mounting surface. Proceed to step 2.
 - c. **Bracket Mount Models** (Figure 4): Install the catalog number 116EX-C ceiling/wall mounting module using appropriate hardware (not supplied) for the mounting surface. Install the catalog number 116EX-B wall mounting elbow to the wall box. Run the unit's wiring through the elbow to the wall box. Proceed to step 2.
 - d. **Stanchion Mount Models** (Figure 5): Install the catalog number 116EX-S, stanchion mounting module, to the main housing. Run the unit's wires through the 1 1/4" conduit to the appropriate junction box. Install the unit on the conduit. Proceed to step 2.
2. Connect field earth ground wire to ground screw or earth ground via conduit system.
 3. Using wire nuts, connect the incoming (+) or white wire to the unit's two (+) white wires and the incoming (-) or black wire to the unit's two (-) black wires. See Table 2 for required supply wire temperature ratings.
 4. As appropriate, install the fixture on the mounting module.

! WARNING

To reduce the risk of ignition of hazardous atmospheres and shock, keep assembly tightly closed when circuits are energized.

5. Apply power to the unit and ensure proper function.

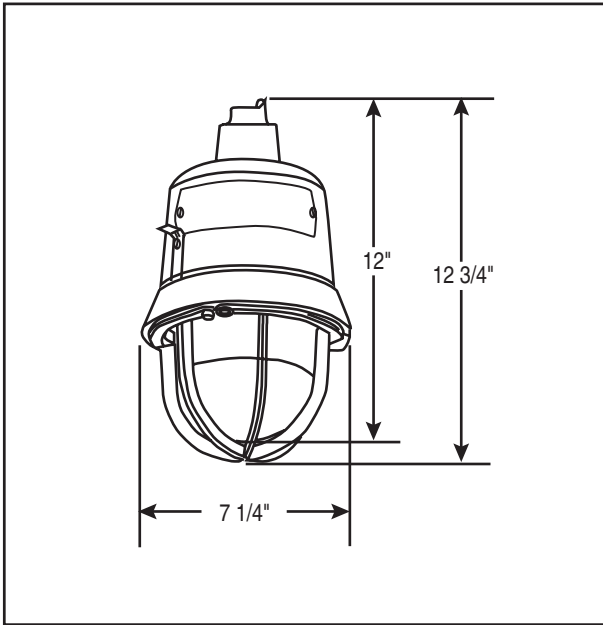


Figure 2. Detail of Pendant Mounting

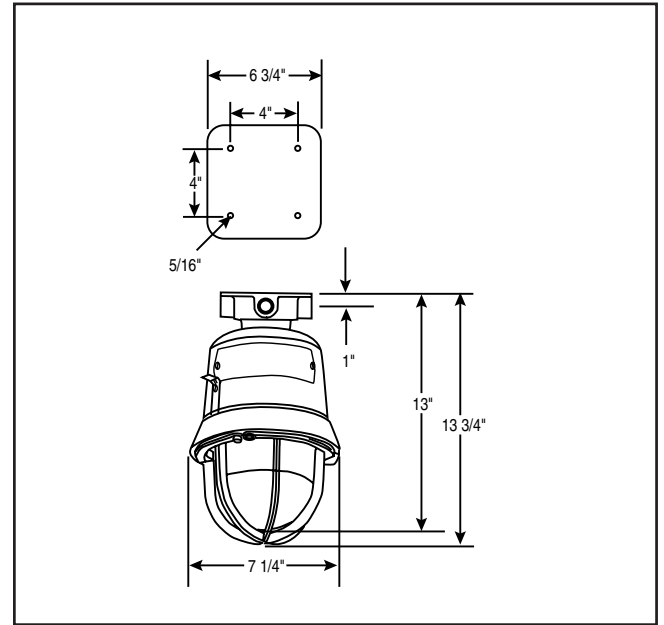


Figure 3. Detail of Ceiling Mounting

Maintenance

Disassemble the unit as follows (Figure 6):



WARNING

To reduce the risk of ignition of hazardous atmospheres and shock, keep assembly tightly closed when circuits are energized.

To reduce the risk of ignition of hazardous atmospheres and shock, disconnect from the supply and circuit and allow five (5) minutes for stored energy to dissipate before disassembling the unit.

1. Loosen the (3) guard screws and remove the guard.
2. Loosen the globe and ring assembly set screw. Insert a suitable tool into the notches in the globe and ring assembly and loosen the assembly by prying in a

counterclockwise direction. Remove the ring and globe assembly.

3. Refer to Table 1 for the correct replacement catalog number and replace the necessary part.
4. To replace, simply screw the unit on until it seats firmly onto its gasket. Tighten the unit another 1/8 to 1/4 turn. Tighten the setscrew.
5. Reinstall the guard, where applicable, and secure using the three supplied screws.
6. After the unit is assembled, apply power and make sure the unit functions properly.

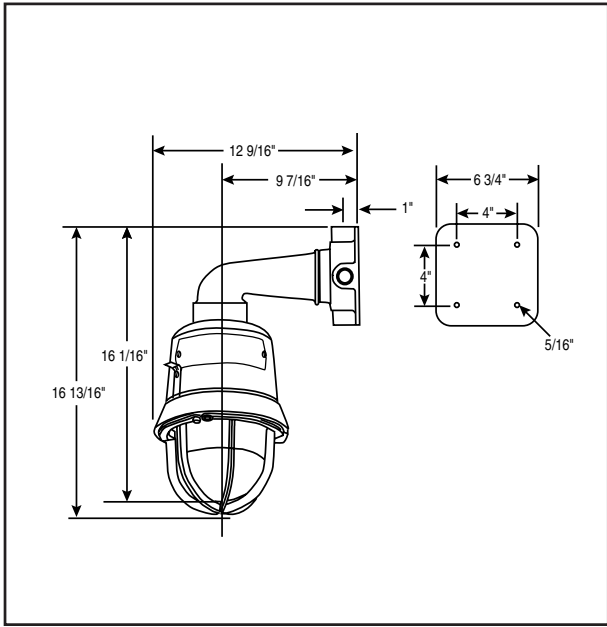


Figure 4. Detail of Wall Bracket Mounting

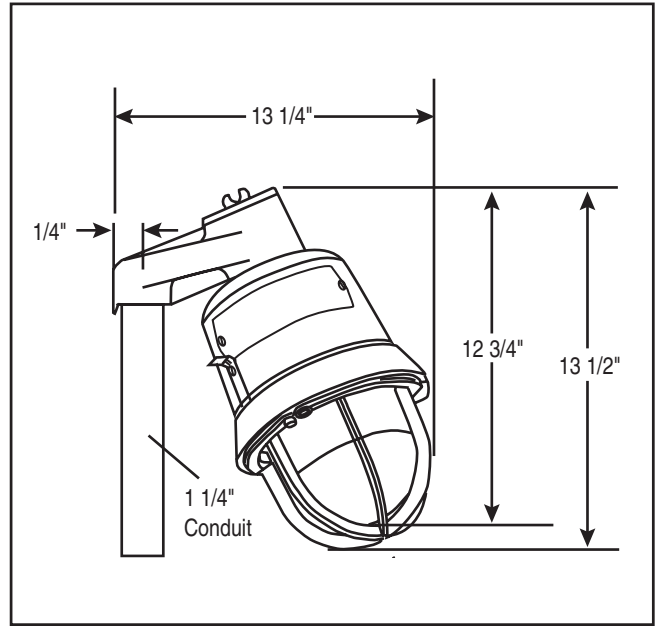


Figure 5. Detail of Stanchion Mounting

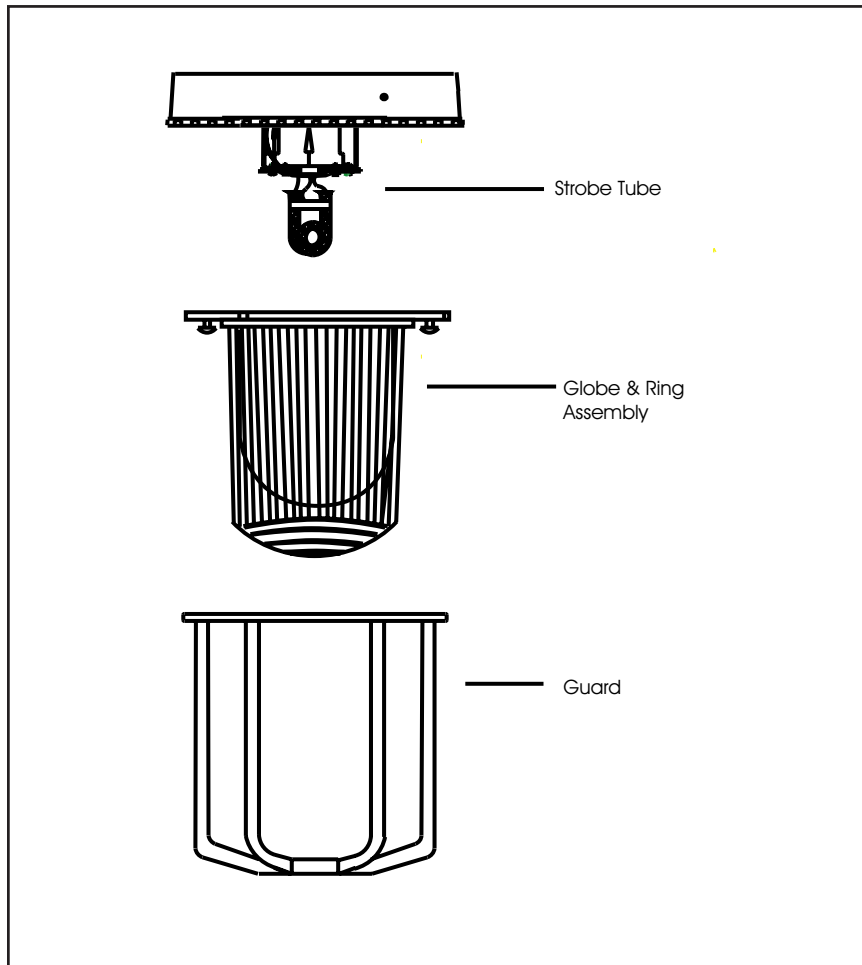


Figure 6. Disassembly of the 116EX Series AdaptaBeacons

Table 1. 116 Series AdaptaBeacons

Description	Catalog Number	Electrical Ratings	Conduit Size	Flash Rate	Strobe Tube Replacement
Housing Less Mounting Module	116EXST*-EK	12 - 48V DC 1.2 - 0.38A	N/A	Approx. 65 fpm	92-ST
Ceiling/Wall Mounting Module	116EX-C	N/A	3/4" NPT	N/A	N/A
Pendant Mounting Module	116EX-P	N/A	3/4" NPT	N/A	N/A
Stanchion Mounting Module	116EX-S	N/A	1 1/4" NPT	N/A	N/A
Wall Bracket Mounting Elbow	116EX-B	N/A	N/A	N/A	N/A

*Letter in this position denotes color of the globe: A - amber, B - blue, C - clear, G - green, R - red or M - magenta

Table 2. Ratings

Ambient Temp.	Supply Wire Temp. Marking	Operating Temperature			
		Class I, Div. 2 Groups A, B	Class I, Div. 1 & 2 Groups C, D	Class II & III, Div. 1 Groups E, F, G	Class II & III, Div. 2 Group G
40°C	75°C	T3 (200°C)	T6 (85°C)	T4A (120°C)	T4A (120°C)
55°C	90°C	T3 (200°C)	T6 (85°C)	T4 (135°C)	T4 (135°C)
65°C	105°C	T2D (215°C)	T6 (85°C)	T4 (135°C)	T4 (135°C)

Contacting Edwards:

Phone: (203) 699-3300

E-Mail: techsupport@edwards-signals.com
customerservice@edwards-signals.com

Website: <http://www.edwards-signals.com>

P/N 3100757 OFFSET SPEC

INSTALLATION INSTRUCTIONS FOR CATALOG
SERIES 116EX ADAPTABEACONS FOR USE IN HAZ-
ARDOUS LOCATIONS

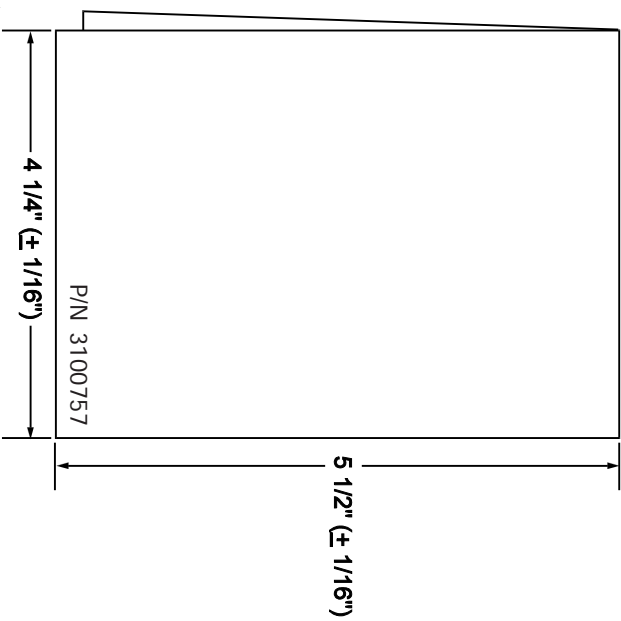
(1) 11" X 17" SHEET PRINTED BOTH SIDES. FOLD
THREE TIMES TO DIMENSIONS SHOWN ON DETAIL
WITH PART NUMBER ON THE OUTSIDE.

MATERIAL: STANDARD WHITE OFFSET STOCK

CHARACTERS: TO BE BLACK ON WHITE BACK-
GROUND

NOTE: MECHANICALS HAVE ALREADY BEEN
REDUCED TO ACTUAL SIZE.

RETURN MECHANICALS TO:
TECHNICAL WRITING
EDWARDS SIGNALING
90 FIELDSTONE COURT
CHESHIRE, CT 06410



FOLD DETAIL REFERENCE ONLY

ECN: 04-C1703
Issue: 01
File: 3100757
Approved by: KRT