

## Description

Edwards 125 Class Beacons are UL and cUL listed signaling appliances rated for NEMA 4X applications. Two versions of incandescent beacons are available: Flashing (125INCF) and Steady-on (125INCS). Both types can be either surface or conduit mounted.

A protective wire guard, Cat. No. 125GRD, is available.

## Electrical Specifications

GRAY BASE		BLACK BASE	
Catalog Number	Catalog Number	Voltage	Current
<b>Flashing Incandescent</b>			
125INCF*24D	125INCF*24DB	24V DC	0.610A
125INCF*120A	125INCF*120AB	120V AC 50/60 Hz	0.510A
<b>Steady-On Incandescent</b>			
125INCS*24D	125INCS*24DB	24V DC	0.610A
125INCS*120A	125INCS*120AB	120V AC 50/60 Hz	0.510A
*Letter in this position designates lens color: A - amber, B - blue, C - clear, G - green, or R - red			

## Mechanical Specifications

Outdoor Locations  
 Temperature Ratings ..... -31F to +150F (-35C to +66C)

## Installation



### WARNING

To prevent electrical shock, ensure that power is turned off before installing the signal.

### Conduit Mounting (Figure 1)

1. Thread the 18" (45.7 cm) signal wire leads through 1/2" conduit into an approved conduit outlet box.
2. Thread the conduit onto the base of the signal.
3. Using wire nuts (not supplied), connect the signal's wire leads as shown in Figure 1. Polarity must be observed for DC models. For AC models, polarity is not important.

### Panel Mounting (Figure 2)

**Note:** When panel mounting the beacon, the surface and construction details of the panel must be taken into consideration in order to ensure that the integrity of the outdoor, NEMA 4X rating is fully maintained. Installer should evaluate.

1. Place the mounting gasket (supplied) over the hole in the panel and route the signal wires through the gasket and the hole in the panel.
2. Insert the base through the hole in the panel and screw the locking nut (supplied), with the raised locking edge facing the mounting surface, onto the base to secure the beacon.
3. Using wire nuts (not supplied), connect the signal's wire leads as shown in Figure 2. Polarity must be observed.

## Maintenance



### WARNINGS

To prevent electrical shock, ensure power is turned off before installation or maintenance.

To avoid risk of injury, install lens before energizing.

### Cleaning

To maintain optimum light visibility, the exterior lens surfaces should be periodically cleaned with a soft clean cloth using water and a mild detergent. Disconnect power before cleaning.

### Light Source Replacement

1. **Conduit Mounted Modules:** Disconnect wiring and, if necessary, unscrew base from conduit (Figure 1).
2. **Panel Mounted Modules:** Disconnect wiring and remove locking nut that secures the base to the panel (Figure 2).
2. Remove screws that secure the lens to the base from bottom of base and remove lens.
3. Unplug lamp and replace with appropriate new lamp (as specified in Table 1 - Replacement Parts). Reattach lens to base and fasten with screws removed in step 2.

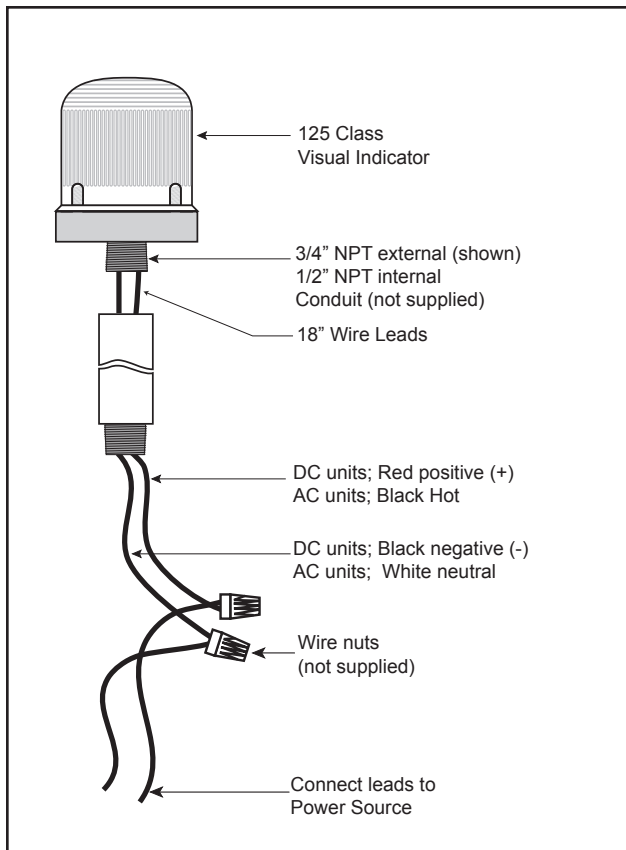


Figure 1. Conduit Mounting (3/4" Shown)

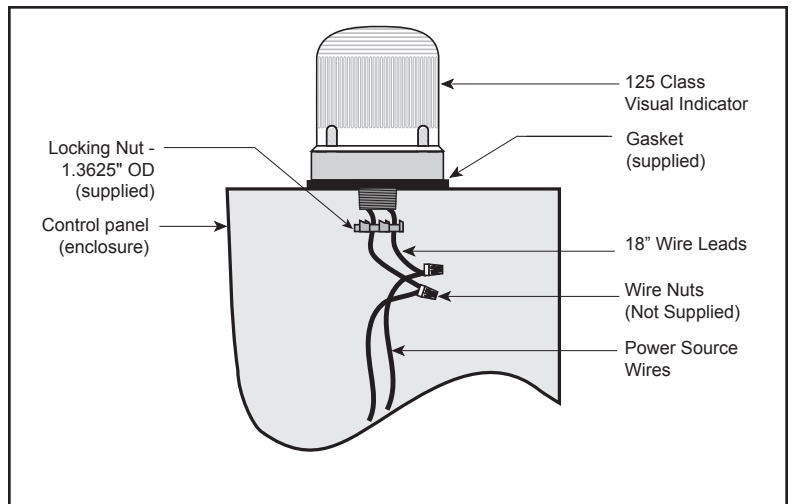


Figure 2. Panel Mounting

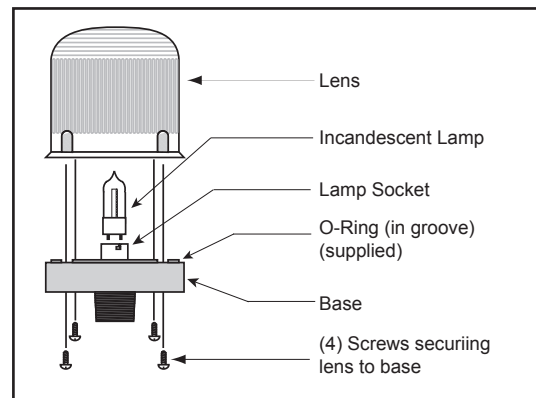


Figure 3. Lamp Replacement

Table 1. Replacement Parts

Catalog Number (gray base)	Catalog Number (black base)	Replacement Lens	Replacement Lamp
<b>Flashing Incandescent</b>			
125INCF*24D	125INCF*24DB	125L*	Industry Trade 1692
125INCF*120A	125INCF*120AB		Industry Trade 15T7DC
<b>Steady-On Incandescent</b>			
125INCS*24D	125INCS*24DB	125L*	Industry Trade 1692
125INCS*120A	125INCS*120AB		Industry Trade 15T7DC
*Letter in this position indicates lens color: A - Amber, B - Blue, C - Clear, G - Green, R - Red.			

Table 2. Programming Logic Controller (PLC) Compatibility: PLC Output to meet following product input parameters

Cat. No.*	Operating voltage (Volts)	Max. off state leakage current (mA)	Continuous on current (mA)	Repetitive Surge	Surge (inrush/duration)
125INCF24D	24V DC	25	25	0.68A	7A exp decaying
125INCF120A	120V AC 50/60 Hz	25	25	0.3A / 8 ms	0.8A exp decaying
125INCS24D	24V DC	25	25	2.5A / 60 ms	7A exp decaying
125INCS120A	120V AC 50/60 Hz	25	25	0.5A / 8 ms	0.8A exp decaying

\*PLC compatibility applies to models with any lens color and with either a gray or black base.