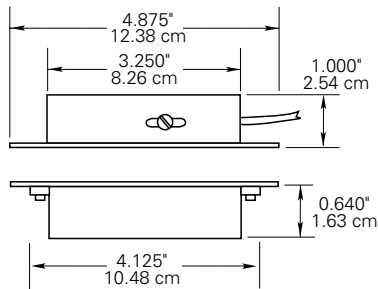


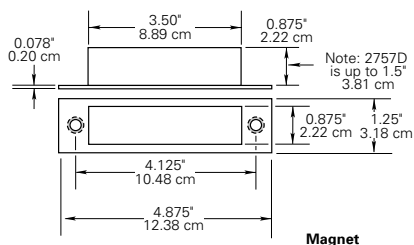
2700 Series (continued)

Specialty High Security Contacts

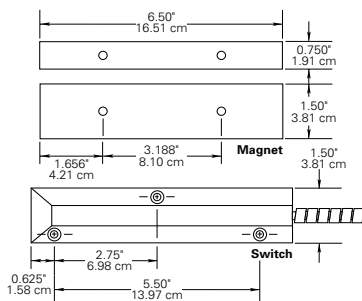
- Triple-biased
- Available for several applications
 - overhead door
 - outside gate
 - ANSI Recessed
 - Adjustable ANSI Recessed
- 2757 approved for specific fire doors



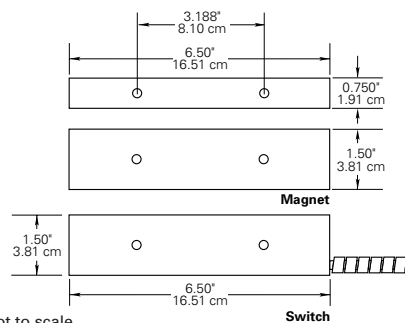
Not to scale




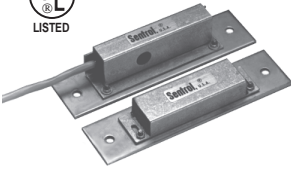





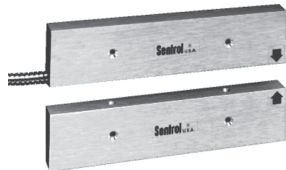
Not to scale



Not to scale



Not to scale

ORDERING INFORMATION	Gap Size	D.P.D.T.	S.P.D.T.	Lead Type
ANSI Adjustable Triple Biased Both switch and magnet are adjustable for versatile alignment  	0" to 3/8"		2767	3 foot Vinyl Jacketed
↔				
ANSI  	0" to 3/8"		2757	3 foot Vinyl Jacketed
	0" to 3/8"	2757D		3 foot Vinyl Jacketed
↔				
Overhead Door Contact, Triple Biased  	11/16" to 2"		2727A	3 foot Stainless Steel Armored Cable
↔				
1961 bracket included Gate Contact, Triple Biased  	11/16" to 2"		2747A	3 foot Stainless Steel Armored Cable
↔				

NOTE: For Accessories, see page 6.42-6.43
Protected by U.S. patent 4,210,889

MAGNETIC CONTACTS