

Conventional Fire Alarms

Pull Stations

270 Series

The Edwards 276B/277B series non-coded, single-action fire alarm stations are UL listed, contemporary-styled Lexan stations. The 276B series feature terminals for field wiring connections, and the 277B series use 6" (150mm) wire leads for field wiring connections.

All types are available with single pole alarm contacts that can be normally open, normally closed or a combination of both. Either a key or tool (depending on station selected) is required to reset mechanism. Where a manual station is installed on a circuit that also includes smoke detectors, a resistor can be added in series with the alarm initiating contacts on the station so the operation of the station does not extinguish alarm LEDs on operated detectors. The 276-R resistor kits permit field installation of the series resistor on applicable stations.

For semi flush mounting, use a standard North-American 4 inch square box with single gang plaster cover having an overall minimum depth of 2-1/4 inches (57mm). For surface mounting use a 276B-RSB surface back box.

Features and Specifications

- Single action models
- Single pole contacts
- Terminals or wire leads for field connections
- Key lock or tool reset
- Break glass operation
- Surface or semi flush mounting
- Red finish
- Contemporary styling
- Rugged Lexan construction
- Latch action until reset
- Operating temperature range: 32°F to 120°F (0°C to 49°C)



Ordering Information

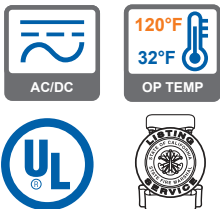
Description	Cat. No.	Contact Ratings		Field Connections	Switch Contacts	Station Reset
		Voltage	Amps			
Single-Action Pull Station	276B-1110 ¹	30V AC	3.0	Screw Terminals	Single-pole Alarm, Open Circuit	Tool Operated
		28V DC	1.0			
	276B-1120 ¹	30V AC	3.0	Screw Terminals	Single-pole Alarm, Open Circuit	Key Operated
		28V DC	1.0			
	277B-1110	30V AC	3.0	6" Wire Leads	Single-pole Alarm, Open Circuit	Tool Operated
		28V DC	1.0			

¹Suitable for optional resistor kit, 276-R.

Accessories

Description	Cat. No.
Optional Resistor Kit	276-R ²
Replacement Glass Rods	276-GLR
Station Reset Key (supplied with all Key Reset Stations)	276-K1
Surface Back Box, Red	276B-RSB

²For use in stations connected to smoke detector circuits. 560 Ohms, +/-5%; 2W.



Conventional Fire Alarms

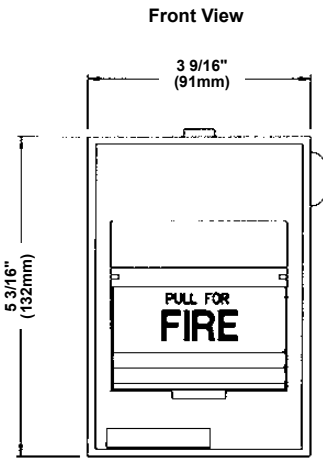
Pull Stations

270 Series

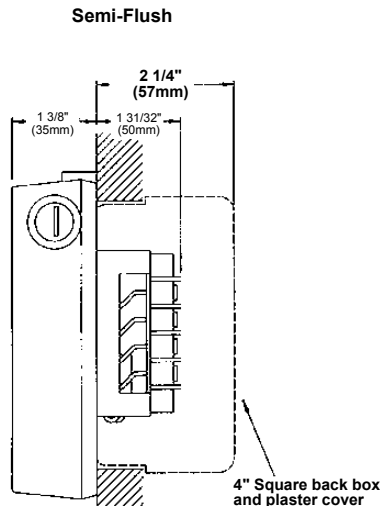
Weights and Dimensions

Cat. No.	Approx. Shipping Weight (lb.)
276B-1110	1.0
276B-1120	1.0
277B-1110	1.0

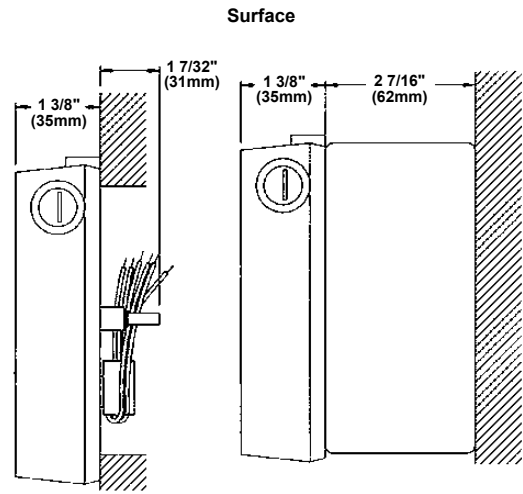
12
FIRE ALARMS



Cat. No's.
276B and 277B Series

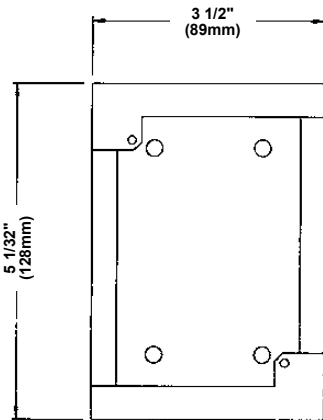


Cat. No.
276B Series
With Optional Back Box



Cat. No.
277B Series
Without Back Box

Cat. No's.
276B & 277B Series
With 276B-RSB
Back Box



Cat. No. 276B-RSB