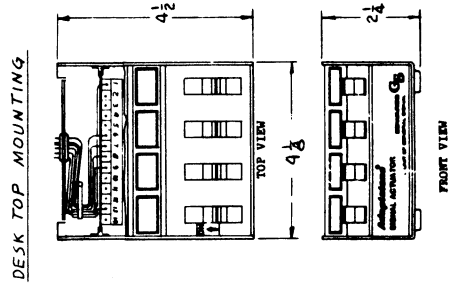
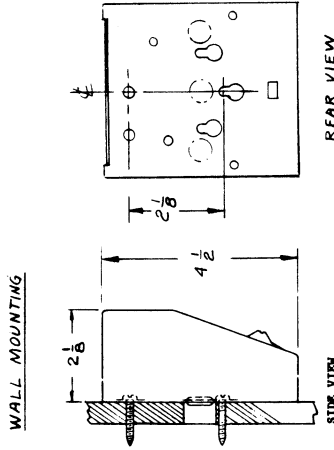
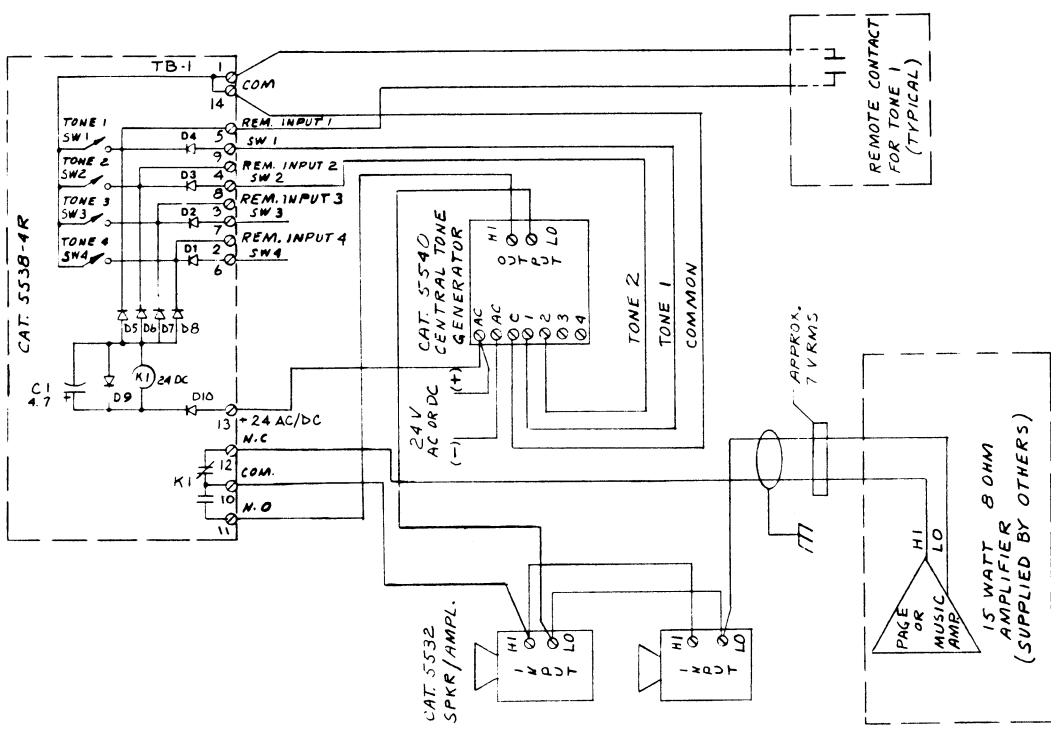


ISS	REVISIONS	REMARKS	DATE	CHKD.	APPRD.
1	REL. PER ECN 0078-104		4/28/83	C	
2	ECN0078-143 REVISED JAR 4-25-84		4/24/84	S	

TYPICAL INSTALLATION



GENERAL: THE 24VDC ADAPTATONE SIGNAL ACTUATOR (WITH RELAY) ALLOWS THE ADAPTATONE CENTRAL TONE GENERATOR AND SPEAKER/AMPLIFIERS TO BE USED WITH AN EXISTING MUSIC OR PAGING SYSTEM. A DRY RELAY CONTACT ("C-TYPE") IS PROVIDED TO ALLOW EITHER AUDIO FROM THE CENTRAL TONE GENERATOR OR FROM THE MUSIC/PAGING SYSTEM TO BE ROUTED TO THE ADAPTATONE SPEAKER/AMPLIFIERS.

OPERATION: DURING ACTUATION OF ANY OF THE FOUR MANUAL SWITCHES OR CLOSURE OF ANY OF THE FOUR REMOTE INPUTS, THE RELAY WILL ENERGIZE ALLOWING THE MUSIC/PAGE AUDIO TO BE REMOVED FROM THE SPEAKER/AMPLIFIER INPUT AND REPLACED BY THE CENTRAL TONE GENERATOR AUDIO.

INSTALLATION:

- A. DESK TOP MOUNTING:
  1. TO DISENGAGE COVER FROM BASE
    - a. LIFT OFF THE FOUR RED SWITCH CAPS.
    - b. REMOVE THE TWO SCREWS AT REAR OF UNIT AND DISASSEMBLE COVER BY LIFTING AND SLIDING TOWARD REAR THEN FORWARD.
  2. TO PROVIDE ACCESS HOLE FOR EXTERNAL WIRING
    - a. PUSH (TAP) OUT THE 1/2" DIAMETER KNOCKOUT IN REAR FLANGE OF BASE.
    - b. INSERT NEOPRENE GROMMET (FURNISHED) INTO HOLE.
  3. TO PROVIDE NON-WARNING/NON-STAINING BASE SUPPORT
    - a. A STRIP OF FOUR ADHESIVE BACKED "BUMPS" (FEET) ARE FURNISHED IN BAG ASSEMBLY.
    - b. FEEL ONE AT A TIME FROM THE STRIP BACKING AND APPLY TO BOTTOM SURFACE OF BASE AT EACH CORNER.
  4. WIRING (BY CUSTOMER)
    - a. FEED EXTERNAL WIRES, ENTERING UNIT, THROUGH HOLE IN GROMMET AT REAR FLANGE OF BASE AND HOOK UP TO ASSOCIATED TERMINALS ON TERMINAL BLOCK.
    - b. SECURE WIRES TO BASE WITH CABLE TIE, SCREW, LOCKWASHER & NUT (FURNISHED).
5. TO REINSTALL COVER
  - a. SLIDE RECTANGULAR HOLE IN LOWER FRONT FLANGE OF COVER OVER FRONT TAB ON INSIDE OF BASE. REAR OF COVER WILL SLIP OVER REAR FLANGE OF BASE. SLIDE COVER FORWARD AND SECURE WITH THE TWO SCREWS PREVIOUSLY REMOVED.
  - b. REINSTALL RED SWITCH CAPS BY SIMPLY PUSHING ONTO THE SWITCH ACTUATORS.
6. TO DESIGNATE SWITCHES
  - a. A SHEET OF SELF-STICK BLANK LABELS IS FURNISHED.
  - b. PRINT DESIRED NOMENCLATURE ON LABEL, PEEL FROM BACKING AND APPLY TO WHITE RECTANGULAR AREA PROVIDED ON FRONT OF UNIT ABOVE EACH SWITCH.
- B. PANEL OR WALL MOUNTING:
  1. TO DISENGAGE COVER FROM BASE
    - a. SEE PARAGRAPH A-1 ABOVE
  2. TO PROVIDE ACCESS HOLE FOR EXTERNAL WIRING
    - a. PUSH (TAP) OUT THE 1/2" DIAMETER KNOCKOUT (ONE OF THREE) IN BOTTOM SURFACE OF BASE.
    - b. INSERT NEOPRENE GROMMET (FURNISHED) INTO HOLE.
  3. TO MOUNT UNIT ON PANEL OR WALL
    - a. HOLD BASE OF UNIT IN DESIRED POSITION ON THE MOUNTING SURFACE AND MARK THE CENTERS OF TWO MOUNTING HOLES AND THE WIRE ACCESS HOLE.
    - b. DRILL TWO 9/64 DIAMETER HOLES TO RECEIVE THE MOUNTING SCREWS AND ONE 3/4 DIAMETER HOLE FOR WIRE ENTRY.
    - c. SECURE UNIT BASE TO SURFACE WITH TWO #8 MOUNTING SCREWS FURNISHED.
  4. WIRING (BY CUSTOMER)
    - a. FEED EXTERNAL WIRES, ENTERING UNIT, THROUGH HOLE IN GROMMET AT BOTTOM OF BASE AND HOOK UP TO ASSOCIATED TERMINALS ON TERMINAL BLOCK.
  5. TO REINSTALL COVER
    - a. SEE PARAGRAPH A-5 ABOVE
  6. TO DESIGNATE SWITCHES
    - a. SEE PARAGRAPH A-6 ABOVE

UNLESS OTHERWISE SPECIFIED		DRFG. DMK 9-12-83	
DIMENSIONS ARE IN INCHES	CHKD. (C)		
TOLERANCES	ENGR. (C)		
DEC. ± .005 FRACTION ± 1/64" ANG. ± 1°	APPRD. (C)		
MATERIAL:	FIRST USED ON:		
FINISH:	REF.		
EDWARDS GS A UNIT OF GENERAL SIGNAL FARMINGTON CT 06032		TITLE: CUSTOMER DRAWING CAT. 5538-4R	
DWG. NO. C-5538-4R		ISSUE 2	
SCALE 7/8"		SHT. 1 OF 1	