

Installation Instructions for Explosion-Proof Adaptahorn[®] Catalog Numbers 888D-N5 and 889D-AW

EDWARDS

DESCRIPTION

Edwards explosion-proof Adaptahorn signals, catalog numbers 888D-N5 and 889D-AW, are heavy-duty vibrating horns intended for use where distinctive audible signals are required in a hazardous location having high ambient noise levels.

These horns include a series diode and are suitable for use in fire alarm systems and other applications requiring electrical supervision of signal circuit installation wiring.

The 888D-N5 is ac-powered and the 889D-AW is dc-powered. They are UL listed for use in Class I, Groups B, C, and D; Class II, Groups E, F, and G; and Class III locations, for both Divisions 1 and 2.

ELECTRICAL SPECIFICATIONS

Catalog Number	Rated Voltage	Alarm Current	dBA Rating at 10 ft.
888D-N5	120V ac	0.165 A	100*
889D-AW	20-24V dc	0.16 A	100*

*Sound level rating as measured in an anechoic chamber on an "A" weighted scale.

INSTALLATION

The following items (not supplied) are required for installation of the horn:

- 3/4" conduit to contain power supply wires.
- One explosion proof conduit outlet box suitable for use in the hazardous location.
- One 3/4-14 National Pipe Taper (NPT) nipple.
- Two fasteners up to 3/8" diameter and washers suitable for

securing the horn to mounting surface.

The horn may be mounted to any solid surface. Install the unit as follows:

1. See Figure 1. Remove the cover from the conduit outlet box. Feed the two power supply wires from control panel or previous signal and the two wires to next signal or end-of-line device through conduit into the outlet box. Also, feed the horn's three power connection wires through the nipple, which connects the horn to the outlet box, into the box. Secure the horn and conduit to the outlet box.
2. With the horn placed against mounting surface, mark mounting hole positions for fasteners as per Figure 1. Install fasteners with washers through mounting brackets and secure unit to surface.
3. Make required power supply wiring connection and make wiring connection to next signal or end-of-line device in outlet box. For 888D-N5, see Figure 2. For 889D-AW, see Figure 3.

CAUTION

Do not apply power to the horn until installation has been completed and cover has been secured on outlet box.

4. Apply power to the fire alarm control panel. Initiate an alarm to activate the horn and verify that it sounds. Then reset the panel and verify that the horn silences.

MAINTENANCE AND TEST

Examine the horn annually for accumulation of dirt and clean if necessary.

Test the horn annually or at the intervals required by applicable fire regulations.

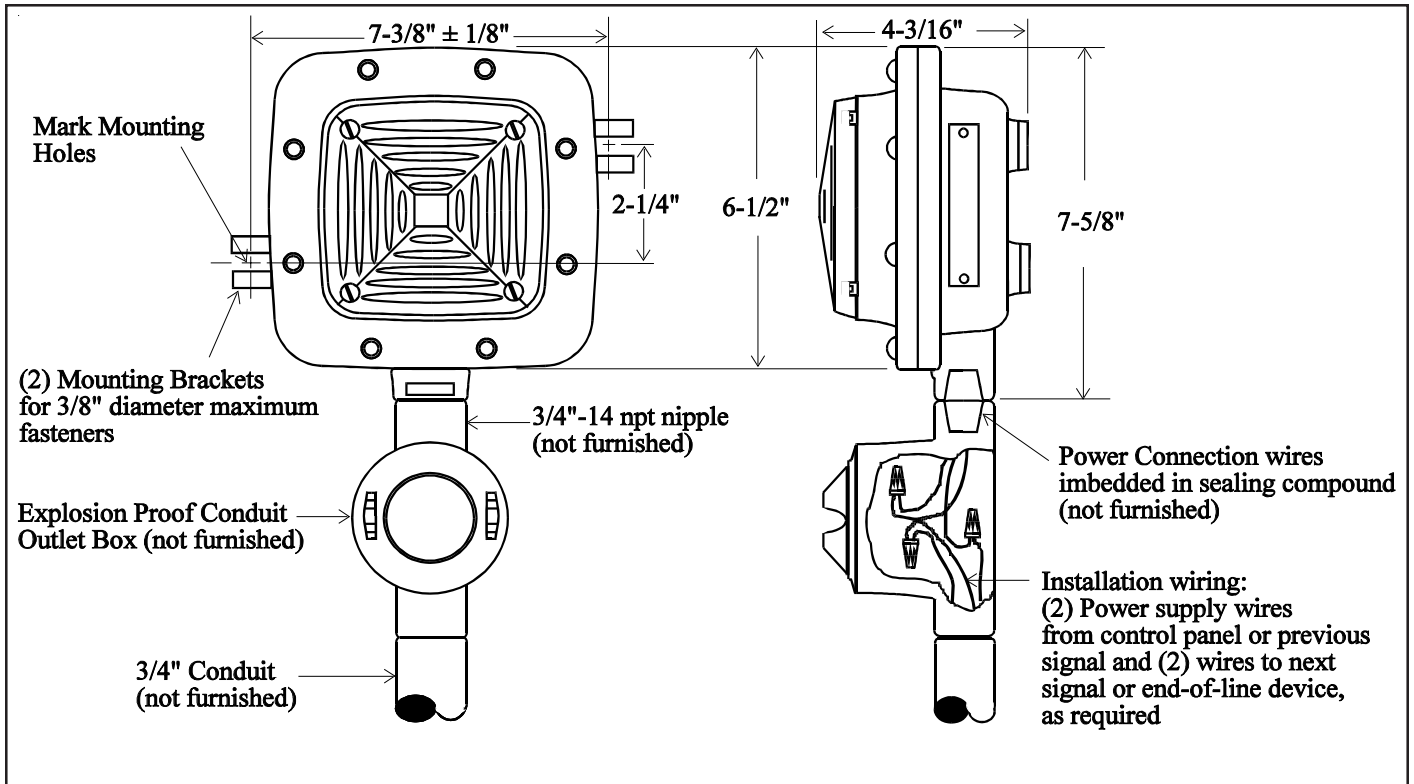


Figure 1. Signal Mounting Details

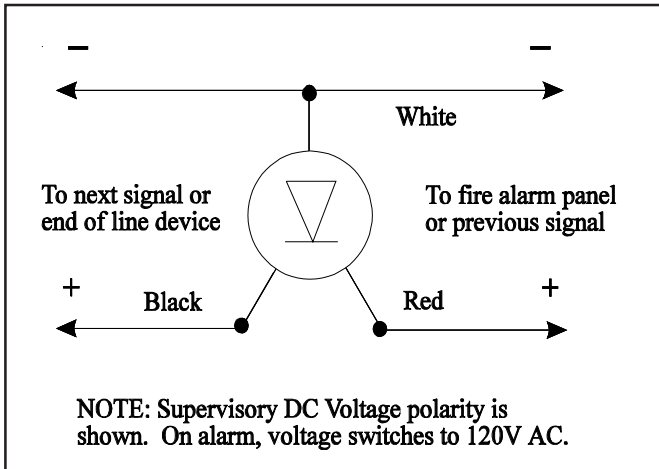


Figure 2. 888D-N5 - Fire alarm system use or other applications requiring a supervised signaling circuit.

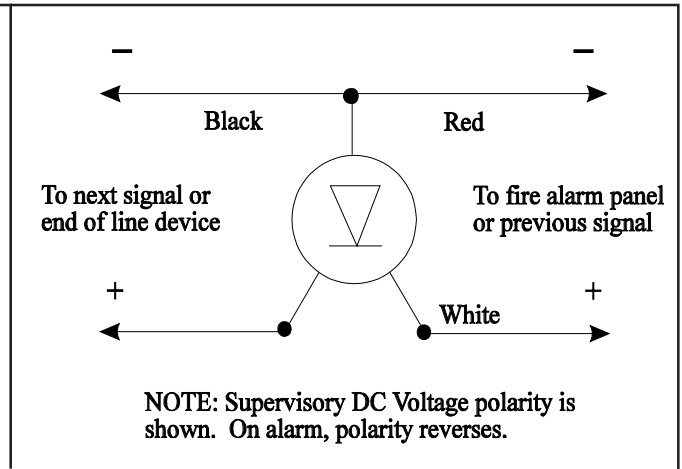


Figure 3. 889D-AW - Fire alarm system use or other applications requiring a supervised signaling circuit.

P-047550-0395 OFFSET SPEC

INSTALLATION INSTRUCTIONS FOR EXPLOSION-
PROOF ADAPTAHORN CATALOG NUMBERS 888D-
N5 AND 889D-AW

(1) 8 1/2" X 11" SHEET PRINTED BOTH SIDES.

FOLD TWO TIMES TO DIMENSIONS SHOWN IN
FOLD DETAIL WITH PART NUMBER ON THE OUT-
SIDE.

MATERIAL: STANDARD WHITE OFFSET STOCK

CHARACTERS: TO BE BLACK ON WHITE BACK-
GROUND

NOTE: MECHANICALS HAVE ALREADY BEEN
REDUCED TO ACTUAL SIZE.

RETURN MECHANICAL TO:
TECHNICAL WRITING
EDWARDS CO. INC.
195 FARMINGTON AVE.
FARMINGTON, CT 06032

