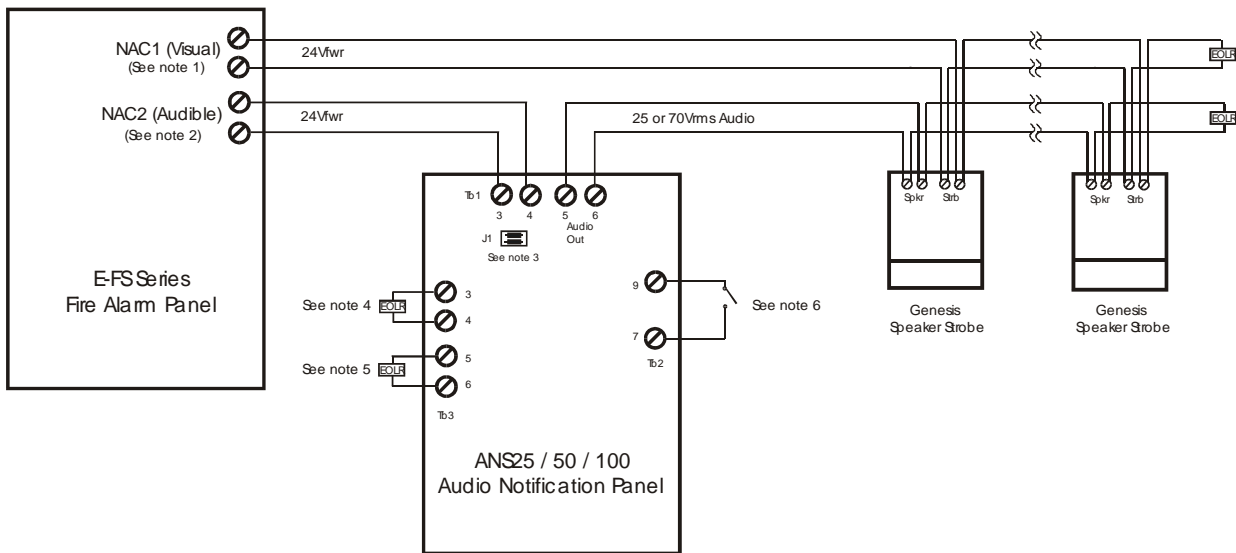


AEBN: 120210-3

Date: December 2, 2010

Subject: E-FS Series Fire Alarm Panels With Single Zone Voice Evacuation

The Edwards E-FS series fire alarm panels can be used in conjunction with the Edwards ANS series audio notification panels when voice evacuation and paging are required. Below is a diagram showing a system with a single speaker circuit and strobe circuit.



Notes:

1. NAC1 on fire alarm panel should be configured as Genesis.
2. NAC2 on fire alarm panel should be configured as Continuous.
3. J1 jumpers should be installed.
4. End of line resistor value equals the value used by the fire alarm panel's NAC (signal circuit).
5. End of line resistor value must match the resistor used for the speaker circuit's end of line. For example, if the speaker circuit is using a 10K ohm eol resistor, the resistor connected here must be 10K ohms. Resistor value can be between 2.2K and 100K ohms.
6. The evacuation message is activated by the NAC input from the fire alarm panel. Closing a dry contact across terminals Tb2-7 & 2-9 will activate an auxiliary "all clear" message. This input is disabled during an alarm (the system must be restored to normal before using).
7. Speaker circuit and strobe circuit wiring should be 1 pair each of 18 gauge minimum. Speaker wiring should be at least twisted pair, shielded if necessary (if run in electrically noisy areas). Be sure to observe polarity.
8. Refer to installation manuals for fire alarm and ANS audio notification panel for detailed wiring instructions.