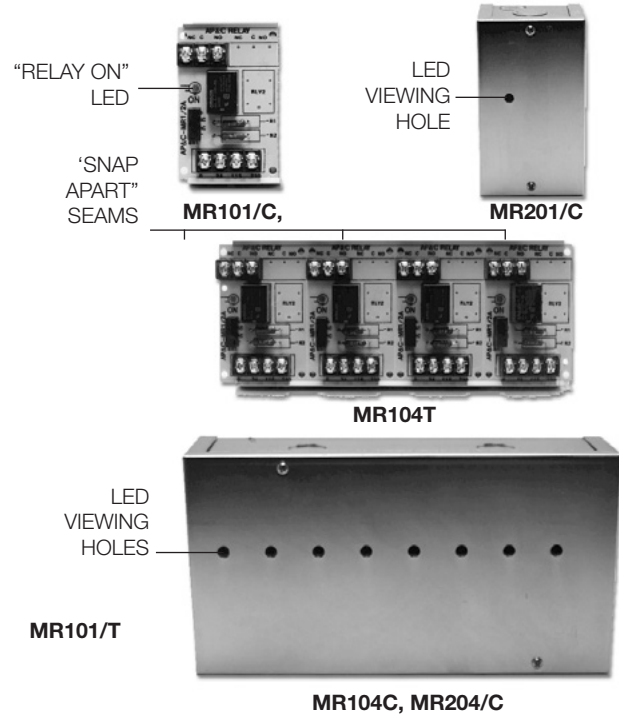




Multi-Voltage Control Relays

MR100 & MR200 Series



Overview

The MRSeries Multi-Voltage Control Relays offer SPDT or DPDT 10 Amp contacts which may be operated by one of four input control voltages. A single relay may be energized from a voltage source of 24 Vdc, 24 Vac, 115 Vac or 230 Vac by wiring to appropriate input terminals.

Each relay position contains a red light emitting diode (LED) which indicates the relay coil is energized. Relays may be “snapped apart” from a standard four-module assembly and used independently.

These devices are ideal for applications where local contacts are required for system status, remote contacts for control of electrical loads and general purpose switching. They are suitable for use with HVAC Temperature Control, Fire Alarm, Security, Energy Management, and Lighting Control Systems.

Standard Features

- Each relay position may be energized from one of four input voltages
- Each relay position contains a red LED which illuminates when the coil is energized. This provides a timesaving convenience when checking an installed system; no metering is required.
- Single, dual or triple relay modules may be “snapped apart” from a standard four-position master
- SPDT or DPDT relays available
- Available in dustproof metal enclosures with LED viewing port
- Track mounting hardware to facilitate installation in standard cabinets
- UL recognized relays rated at 10 million mechanical operations
- ULI listed as control unit accessory



Contact us...

Phone: 1-800-336-4206
 Web: www.edwardssignaling.com

Edwards Signaling is an **EDWARDS** brand.

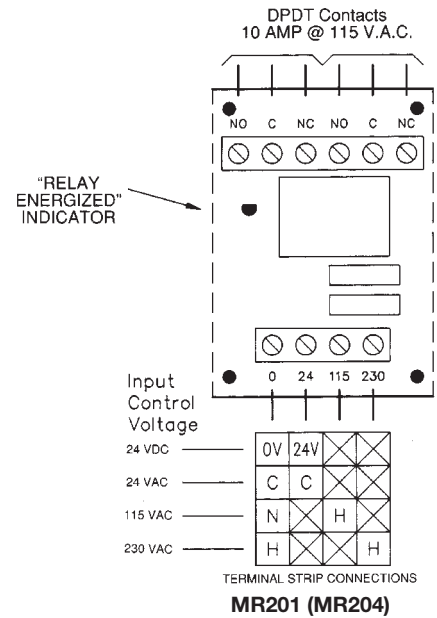
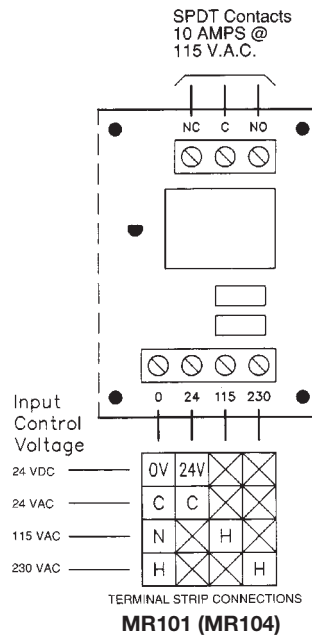
3 Farm Glen Boulevard
 Farmington, CT 06032

In Canada, contact Chubb Edwards...
 Email: inquiries@chubbedwards.com
 Web: www.chubbedwards.com

© 2013 UTC Fire & Security Americas Corporation, Inc. All rights reserved. Specifications subject to change without notice. Edwards is part of UTC Climate, Controls & Security, a unit of United Technologies Corporation.

Installation Wiring

(TYPICAL FOR ONE MODULE POSITION)



Specifications

Power Requirements

MR101 Position	15 mA @ 24 Vac, 24 Vdc, 115 Vac, 230 Vac
MR201 Position	35 mA @ 24 Vac, 24 Vdc, 115 Vac, 230 Vac

Relays

MR101	UL Recognized SPDT
MR201	UL Recognized SPDT
Enclosure	18 ga. CRS, plated with 1/2 in conduit knockouts (top and bottom)
Contact Rating	10 Amps @ 115 Vac
Ambient Temperature	-58°F to 185°F (-50°C to 85°C)
Approvals	UL Listed control unit accessory

Dimensions

MR101/T and MR201/T	3.0 H x 2.125 W x 1.5 D in (76 H x 54 W x 38 D mm)
MR104T and MR204T	3.0 H x 8.5 W x 1.5 D in (76 H x 216 W x 38 D mm)
MR101/C and MR201/C	6.125 H x 3.25 W x 2.5 D in (156mm H x 83mm W x 64 D mm)
MR104C and MR204/C	6.125 H x 9.5 W x 2.5 D in (156 H x 241 W x 64 D mm)

Ordering Information

Model Description

MR101/T	Single SPDT relay with LED and track mounting hardware
MR101/C	Single SPDT relay with LED mounted in metal enclosure
MR104T	Four-position SPDT relay with LEDs and track mounting hardware
MR104C	Four-position SPDT relay with LEDs mounted in metal enclosure
MR201/T	Single DPDT relay with LED and track mounting hardware
MR201/C	Single DPDT relay with LED mounted in metal enclosure
MR204T	Four-position DPDT relay with LEDs and track mounting hardware
MR204/C	Four-position DPDT relay with LEDs mounted in metal enclosure