

E-FSA intelligent small building fire alarm solutions

Intelligent addressable technology engineered and designed expressly for small building applications...

Optional second loop (XAL127 module added to FSA250)

Specifications	E-FSA64	E-FSA250
Device loops (support devices of any type)	1 loop Class B, Class A optional, supports up to 64 devices	Standard 1 loop (127) devices, expand to 2 nd loop for additional (127) devices, order XAL127 loop expander.
Notification Appliance Circuits	2 Class B, Class A optional. Total Power available 3.75A FWR	4 Class B or 2 Class A. Total Power available 6.0A FWR
Aux Power 1	Continuous circuit: 24 VDC nominal at 500 mA	
Aux Power 2	Resettable circuit: 24 VDC nominal at 500 mA	
Battery Placement	Accommodates up to 11 AH (p/n 12V10AH) batteries. Use external cabinet for larger batteries (p/n BC-1R).	Accommodates up to 18 A/H batteries. Use external cabinet for larger batteries (p/n BC-1R).
Batteries	Maximum charging capacity = 26 Ah.	
Loop Circuit	Max. wire run twisted nonshielded pair or non-twisted nonshielded fully loaded with devices - #18 AWG - 5,172 ft., #16 AWG - 8,217 ft., #14 AWG - 13,609 ft. See Tech. Ref. #3101202 for additional information. Wire gauge: 18 AWG, 16 AWG, 14 AWG (THHN or TFN in conduit can be used on loop circuits).	
Auxiliary Contacts	Alarm & Trouble: Form C 24 VDC @ 1 A (resistive load). Supervisory: Form A 24 VDC @ 1 A (resistive load)	
Environmental	Temperature: 0 to 49°C (32 to 120°F). Humidity: 0 to 93% RH, noncondensing	
Remote Annunciator	Panel supports 8 max, RS-485 Class B or A. Panel auxiliary power will support (3) LCD and/or LED Master units. Maximum data wire run twisted pair, 18 AWG to 14 AWG = 4000 ft. Additional pair for 24 Vdc power also required.	

Up to 20,000 feet of wiring per data loop

Up to 20,000 feet of wiring per data loop

E-FSA64: one loop that supports up to 64 intelligent devices of any type.

E-FSA250: One loop that supports up to 127 intelligent devices. Can be expanded to two loops. Each loop supports 127 devices of any type.

E-FSA64: 2 Class B or 2 optional Class A NACs

E-FSA250: 4 Class B or 2 Class A NACs

Any combination of up to eight LCD, LED, and graphic serial annunciators



Optional 10 A or 6.5 A Booster

Ethernet (SA-ETH)

DACT/Dialer (SA-DACT)

RS-232 (SA-232)

Relays: Two Form C, one Form A

Contact Information:



Quick Reference

Consult relevant literature for full listing of available models and options.

Control Panels

E-FSA64RD	Intelligent Fire Alarm Control Panel with dialer, 64 Points
SA-TRIM1	Fire Alarm Control Accessory, Semi-Flush Mt., Trim Kit, E-FSA64
E-FSA250RD	Intelligent Fire Alarm Control Panel with Dialer, 1-Loop (127-Devices) expand to 2nd Loop (127 Devices) use XAL127 Module
SA-TRIM2	Semi-Flush Mt., Trim Kit, E-FSA250
BC-1R	Battery Cabinet, red
12V6A5	7.2 Ah Batteries
12V10A	11.0 Ah Batteries
12V17A	18 Ah Batteries

Option Cards

XAL127	SLC Loop Expansion Module
SA-CLA	E-64 Class A adapter module
SA-ETH	Ethernet Port (supports laptop programming interface)
SA-232	Serial Port (RS-232) (supports laptop programming interface)

Remote Annunciation

RLCD-R	LCD text annunciator without common controls. Red.
RLCD-CR	LCD text annunciator, common controls. Red.
RLED-CR	16-pair LED zone annunciator, common controls. Red.
RLED24R	24-pair LED zone expander, cable and zone card. Red.
RA-ENC1	One-position enclosure for Remote Annunciator.
RA-ENC2	Two-position enclosure for Remote Annunciator and Remote Expander.
LSRA-SB	Surface Mount Box

Power Supplies

EBPS6A	6.5 Amp Booster Power Supply
EBPS10A	10 Amp Booster Power Supply
12V6A5	7.2 Ah Batteries
12V10A	11.0 Ah Batteries
BC-1R - Red	Battery Cabinet

Intelligent Detectors & Bases

E-PD	Photoelectric Smoke Detector
E-PHD	Photoelectric Smoke/Heat Detector
E-HD	Heat Detector, RoR or Fixed, Programmable
B4U	Standard Base
IB4U	Isolator Detector Base
RB4U	Relay Detector Base
SB4U	Audible (Sounder) Detector Base
AB4G-SB	Surface Box for Audible Base
R-LED	Remote alarm LED. Use with standard base only.

Duct Detectors

E-PDD	Intelligent SuperDuct Detector
SD-Txx	Sampling Tubes for SuperDuct
SD-TRK	Remote Test Stations for SuperDuct

Manual Stations

E-278	Double Action Pull Station
276B-RSB	Surface Mount Box, Red, for E-278
E-270	Single Action Pull Station
P-039250	Steel Mounting Box for E-270

Intelligent Modules

E-IDC1B	Single Input Mini Module
E-IDC2B	Dual Input Module
E-2WIRE	Two Wire Smoke Detector Input Module
E-ISO	SLC Fault Isolator Module
E-NAC	Intelligent NAC module
E-RLY	Intelligent Contact Relay Module

Strobes, Horns

EG1RF-VM	Wall Strobe, 15-110 cd, Marked "Fire", 24VDC, red
EG1RF-HDVM	Wall Horn/Strobe, 15-110 cd, Marked "Fire", 24VDC, red
EG1RF-HD	Wall Horn, Temporal, High/Low dB, Marked "Fire", 24VDC, Red
EG1RT	Genesis Trim Plate (for 2-gang or 4" sq. boxes), red
EGCF-VM	Ceiling Multi-cd Strobe, 15-95 cd, Marked "Fire", red
EGCF-VMH	Ceiling Multi-cd Strobe, 95-177 cd, Marked "Fire", red
EGCF-HDVM	Ceiling Multi-cd Horn-Strobe, 75-95 cd, Marked "Fire", red
EGCF-HDVMH	Ceiling Multi-cd Horn-Strobe, 95-177 cd, Marked "Fire", red
CS405-8A-T	Weatherproof Strobe, 110 cd
2452THS-110-R	Weatherproof Horn/Strobe, 110 cd
449	Weatherproof Box for CS405 strobes
2459WPB-R	Weatherproof Surface Box, red

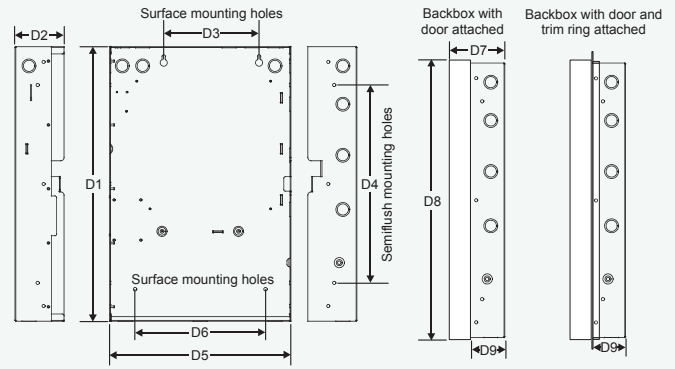
Doorholders

1501-AQN5	Single Door, Floor Mounted
1502-AQN5	Double Door, Floor Mounted
1504-AQN5	Long Catch Plate, Flush Wall Mounted
1505-AQN5	Short Catch Plate, Flush Wall Mounted
1508-AQN5	Surface, Wall Mounted

Power Relays

MR101/C	Single SPDT relay. Contact Rating 10 Amps @ 115Vac and Coil Power 24 Vac, 24Vdc, 115Vac or 230Vac.
MR201/C	Single DPDT relay. Contact Rating 10 Amps @ 115Vac and Coil Power 24 Vac, 24Vdc, 115Vac or 230Vac.
PAM1	Encapsulated SPDT relay. Contact Rating 10 Amps @ 115Vac and Coil Power 24 Vac, 24Vdc, or 115Vac.

Dimensions



Panel dimensions, in (cm)

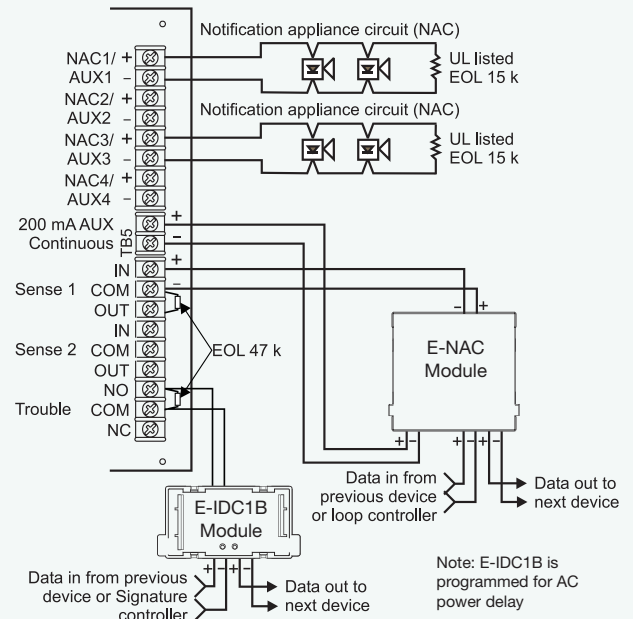
	D1*	D2	D3	D4	D5*	D6	D7	D8	D9
E-FSA64	21.50 (54.6)	3.85 (9.8)	7.5 (19)	15.5 (39.4)	14.25 (36.2)	10.25 (26)	3.9 (9.9)	21.7 (55.1)	2.7 (6.8)
E-FSA250	28.0 (71.1)	3.85 (9.8)	9.0 (22.8)	22.0 (55.8)	15.75 (40.0)	10.25 (26.0)	3.9 (9.9)	28.2 (71.6)	2.7 (6.8)

* Optional trim kits provide 3/4" frame on top, bottom and sides.

Booster Power Supply

Consult relevant literature for application details.

AC Power Fail delay operation



Specifications	EBPS6A - 6.5 amp Booster	EBPS10A - 10 amp Booster
AC Line Voltage	120VAC 50/60Hz 390 watts	120VAC 50/60Hz 580 watts
NAC Ratings	24Vdc nominal 6.5A max total all NACs	24Vdc nominal 10A max total all NACs
Trouble Relay	2 Amps @ 30Vdc	
Auxiliary Outputs	Four individually configurable outputs can replace NACs 1, 2, 3 or 4 as auxiliary outputs. 200 mA dedicated auxiliary for use with E-NAC module.	
Input Current	6mA @ 24Vdc (from an existing NAC)	
Current	70mA (Booster Internal Supervisory)	
Maximum Battery Size	10 Amp Hours (2 of 12V10A) in cabinet up to 24 Amp hours with external battery cabinet (p/n BC-1R)	
Environmental	Temperature 32° to 120°F (0° to 49°C), Humidity 0 to 93% non condensing @ 32°C	
NAC Wiring	(4) Class B or (2) Class A	
Output Signal Rates	Continuous, 3-3-3 temporal, or follow installed panel's NAC.	