



## Now Connect the Millennium System Master to the National Weather Service Alerting System

The National Weather Service recently incorporated a new alerting system called SAME (Specific Area Messaging Encoding). The SAME system will activate a specific tone/voice from a regional NOAA (National Oceanic and Atmospheric Administration) transmitter when there's an emergency in a specific geographical area. When the NOAA receiver is activated a tone and voice will follow with an emergency warning, alert or test message.

For interfacing with a Millennium System Master, the application is quite seamless. The receiver's external audio output connects to the System Master's TAM\_AUD(+/-) input, while the receiver's dry contact output connects to the TAM's request input. When an emergency message arrives, the receiver will output dry contact closure and audio simultaneously. The emergency message is then passed along to the System Master for high volume re-broadcast.

Receivers are available in prices ranging from \$50 to \$150. Some of the commercial grade ones can range from \$500 to \$1000. Just be sure the one you specify has a dry contact output when SAME emergency broadcast is received.

**Edwards<sup>®</sup>**  
**SIGNALING**

# System Master Connections to Weather Radio with SAME Technology

Figure 1

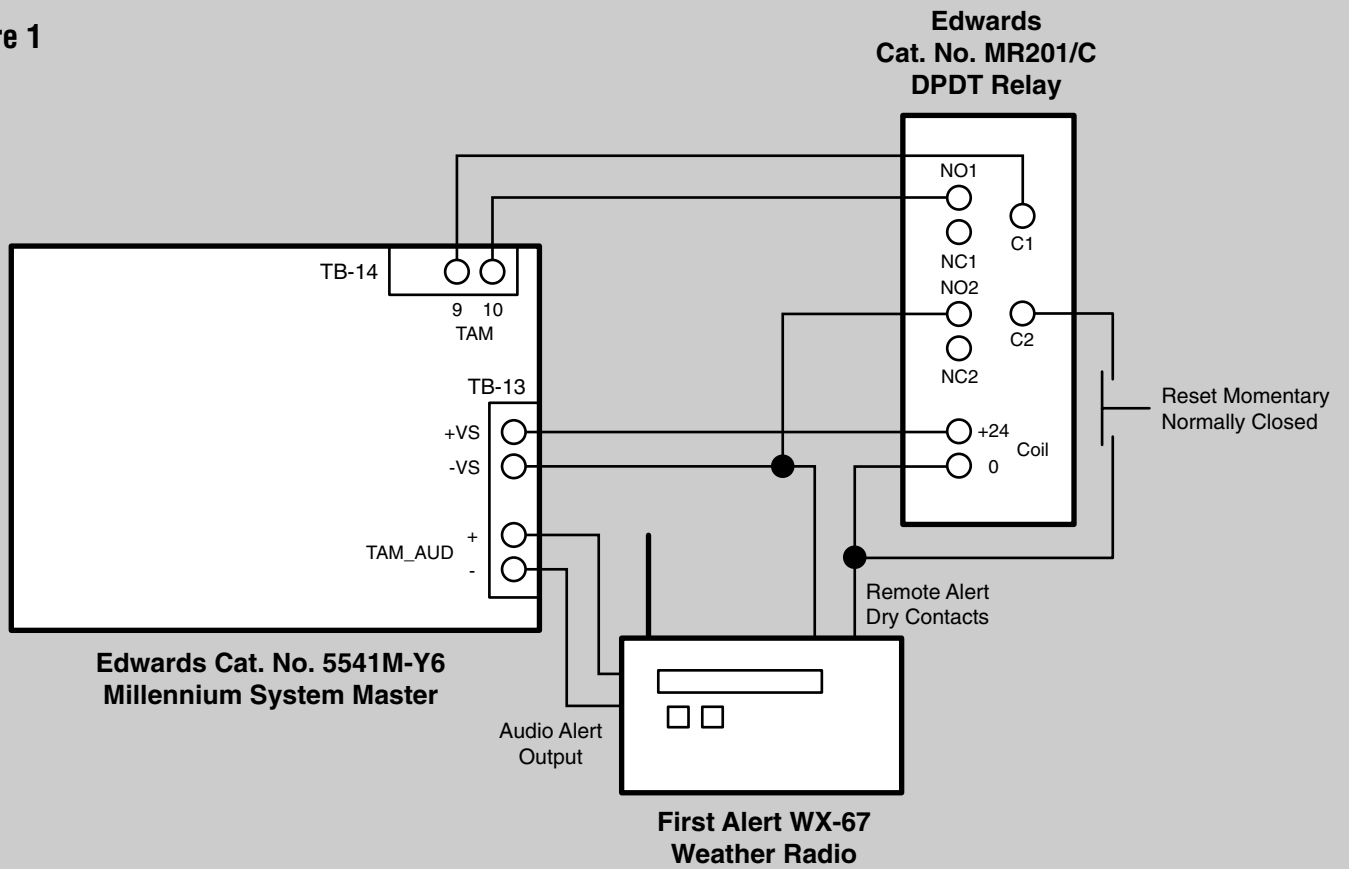
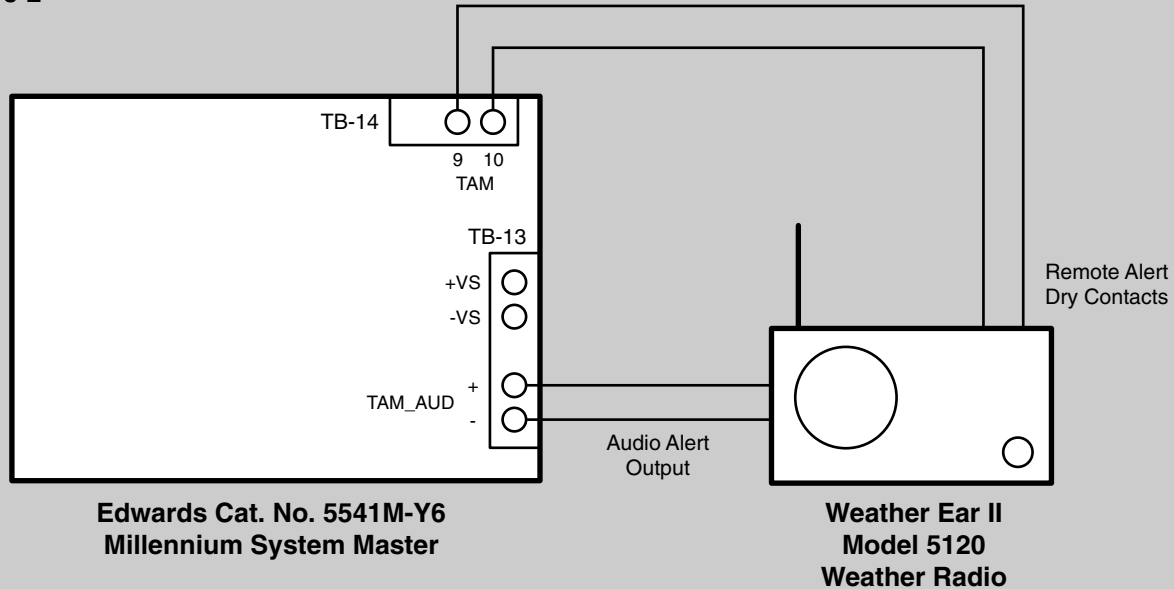


Figure 2



**Edwards<sup>®</sup>  
SIGNALING**

90 Fieldstone Court  
Cheshire, CT 06410-1212  
Phone: (203) 699-3300  
Fax: (203) 699-3108  
email: lit.request@edwards-signals.com  
www.edwards-signals.com