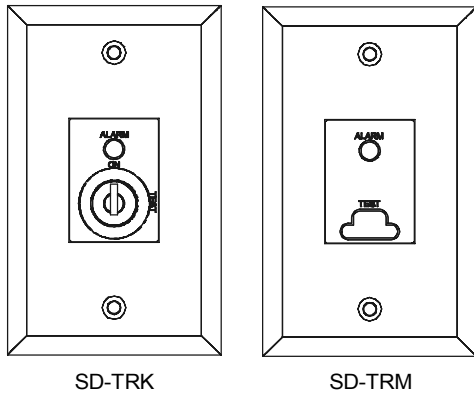


SD-TRK, SD-TRM Remote Test Stations

Product description



The SD-TRK and SD-TRM remote test stations are used with SuperDuct series of conventional two-wire and Signature duct smoke detectors. Each remote test station provides a red LED to indicate alarms. The SD-TRK requires a key to activate the test function while the SD-TRM requires the SD-MAG magnetic test tool (ordered separately).

For operating instructions, refer to the following documentation:

- *SuperDuct Conventional Two-Wire Duct Smoke Detector Technical Reference (P/N 3100737)*
- *SuperDuct Signature Duct Smoke Detector Technical Reference (P/N 3100738)*

Specifications

Compatible electrical boxes

- North American 1-gang box
- Standard 4-in square box, 1-1/2 inches deep, with 1-gang cover

LED indicators: Alarm (red)

LED type: Clear lens

Wire size: 12 to 22 AWG

Resistance per wire: 10 Ω , max.

Current requirements: Included in controller specification

LED circuit ratings

Voltage: 3 Vdc, max.

Current: 30 mA, max.

Switch ratings (SD-TRK)

Voltage: 125 Vdc, max.

Current: 4 A, max.

Switch ratings (SD-TRM)

Voltage: 200 Vdc, max.

Current: 0.5 A, max.

Compatible detectors: SuperDuct conventional two-wire and Signature duct smoke detectors

Operating environment

Temperature: 0 to 55 °C (32 to 131 °F)

Humidity: 93% RH, noncondensing

Storage temperature: -20 to 60 °C (-4 to 140 °F)

Installation instructions

Mount the remote test/reset station on a single gang box as shown in Figure 1.

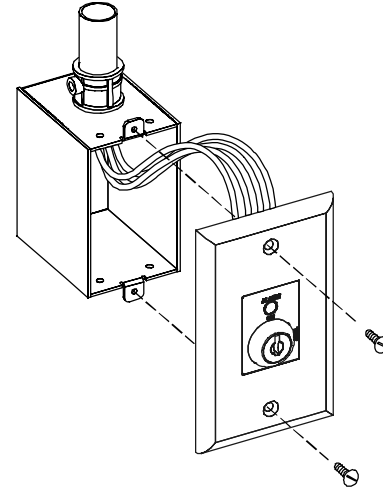


Figure 1: Installation diagram

Wiring diagram

Wire the remote test station to the duct smoke detector as shown in Figure 2.

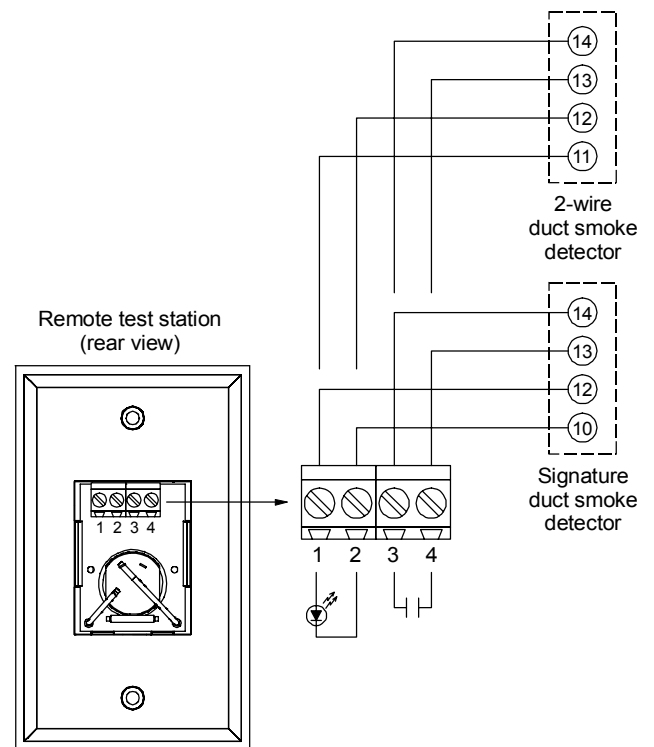
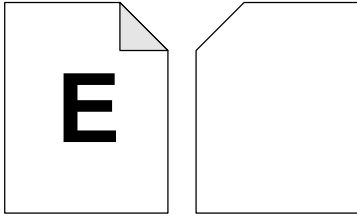
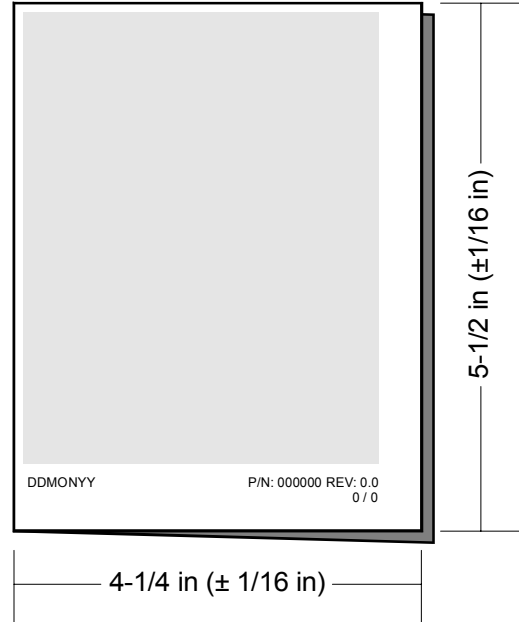


Figure 2: Wiring diagram



For: letter, portrait to 1/4
One 8-1/2 in x 11 in sheet printed on one side.
Material is standard white offset stock.
Characters are black on white background.
Fold two times to the dimensions shown, with the part number on the outside.



ECO: 04-S3821