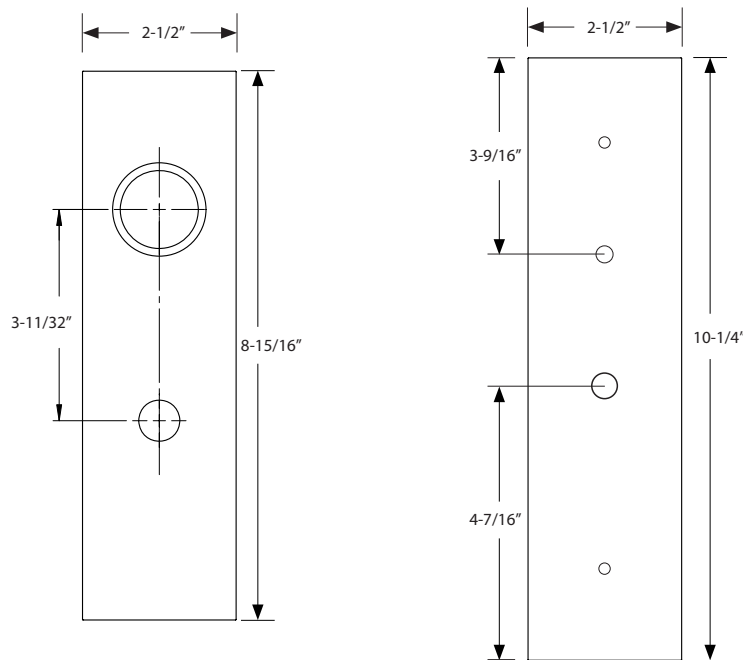


Part# UL 3545



Outside Trim

Inside Trim



Door Thickness Specifications

Standard Door Thickness: 1-3/4"

Standard Components:

- 1-3/8" Threaded Cylinder
- 2" Long Spindle
- 2" Top Rosette Screw
- 1-1/2" Bottom Rosette Screw
- Thumbpress
- Strikeplate

Extended Door Thickness: 1-7/8" - 2-1/4"

Extended Components:

- 1-1/2" Threaded Cylinder
- 2" Long Spindle
- 2-1/2" Top Rosette Screw
- 2" Bottom Rosette Screw
- Thumbpress
- Strikeplate

Extended Door Thickness: 2-3/8" - 2-3/4"

Extended Components:

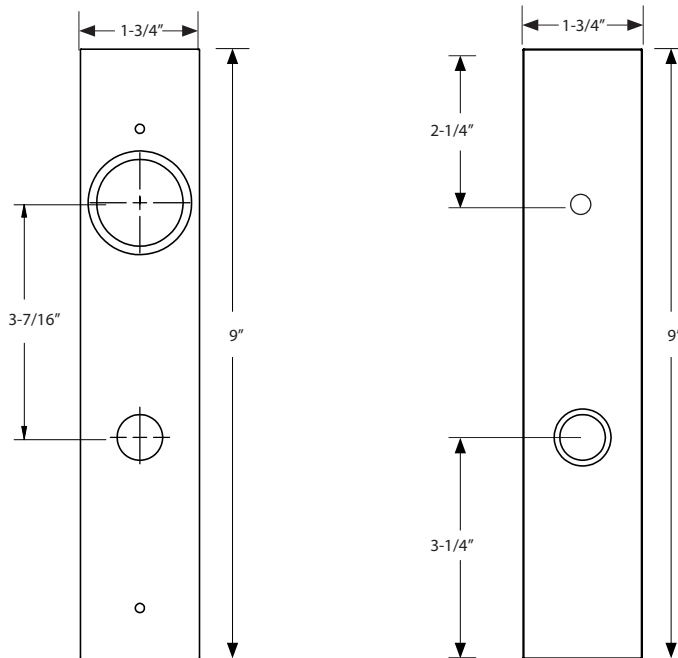
- 1-3/4" Threaded Cylinder
- 2-1/4" Long Spindle
- 2-1/2" Top Rosette Screw
- 2" Bottom Rosette Screw
- Extended Thumbpress
- Extended Strikeplate

Part# UL 3313



Outside Trim

Inside Trim



Door Thickness Specifications

Standard Door Thickness: 1-3/4"

Standard Components:

- 1-3/8" Threaded Cylinder
- 2" Long Spindle
- 2" Top Rosette Screw
- 1-1/2" Bottom Rosette Screw
- Thumbpress
- Strikeplate

Extended Door Thickness: 1-7/8" - 2-1/4"

Extended Components:

- 1-1/2" Threaded Cylinder
- 2" Long Spindle
- 2-1/2" Top Rosette Screw
- 2" Bottom Rosette Screw
- Thumbpress
- Strikeplate

Extended Door Thickness: 2-3/8" - 2-3/4"

Extended Components:

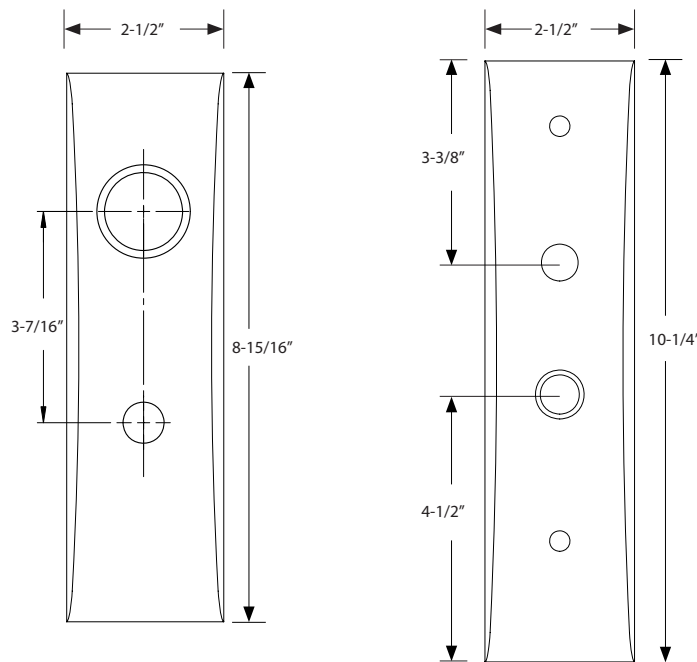
- 1-3/4" Threaded Cylinder
- 2-1/4" Long Spindle
- 2-1/2" Top Rosette Screw
- 2" Bottom Rosette Screw
- Extended Thumbpress
- Extended Strikeplate

Part# UL 3544



Outside Trim

Inside Trim



Door Thickness Specifications

Standard Door Thickness: 1-3/4"

- Standard Components:
- 1-3/8" Threaded Cylinder
 - 2" Long Spindle
 - 2" Top Rosette Screw
 - 1-1/2" Bottom Rosette Screw
 - Thumbpress
 - Strikeplate

Extended Door Thickness: 1-7/8" - 2-1/4"

- Extended Components:
- 1-1/2" Threaded Cylinder
 - 2" Long Spindle
 - 2-1/2" Top Rosette Screw
 - 2" Bottom Rosette Screw
 - Thumbpress
 - Strikeplate

Extended Door Thickness: 2-3/8" - 2-3/4"

- Extended Components:
- 1-3/4" Threaded Cylinder
 - 2-1/4" Long Spindle
 - 2-1/2" Top Rosette Screw
 - 2" Bottom Rosette Screw
 - Extended Thumbpress
 - Extended Strikeplate

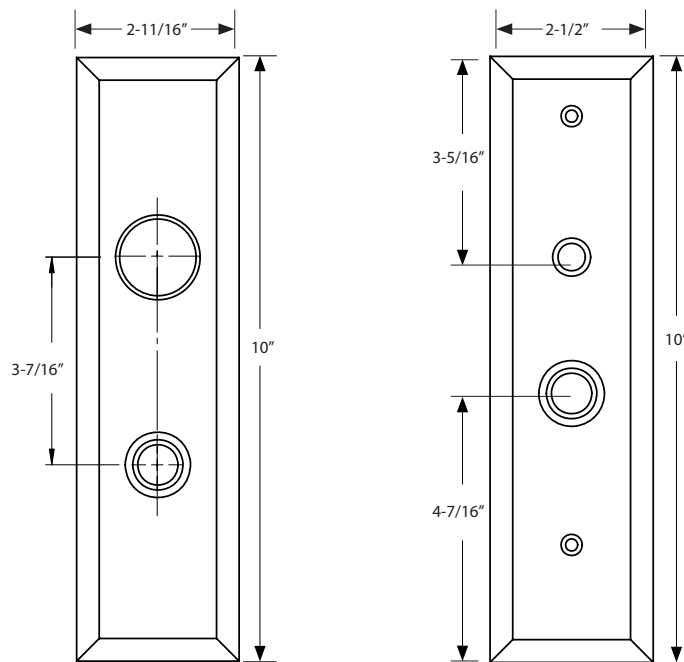
Part# UL 3551



Outside Trim



Inside Trim



Door Thickness Specifications

Standard Door Thickness: 1-3/4"

- Standard Components:
- 1-3/8" Threaded Cylinder
 - 2" Long Spindle
 - 2" Top Rosette Screw
 - 1-1/2" Bottom Rosette Screw
 - Thumbpress
 - Strikeplate

Extended Door Thickness: 1-7/8" - 2-1/4"

- Extended Components:
- 1-1/2" Threaded Cylinder
 - 2" Long Spindle
 - 2-1/2" Top Rosette Screw
 - 2" Bottom Rosette Screw
 - Thumbpress
 - Strikeplate

Extended Door Thickness: 2-3/8" - 2-3/4"

- Extended Components:
- 1-3/4" Threaded Cylinder
 - 2-1/4" Long Spindle
 - 2-1/2" Top Rosette Screw
 - 2" Bottom Rosette Screw
 - Extended Thumbpress
 - Extended Strikeplate

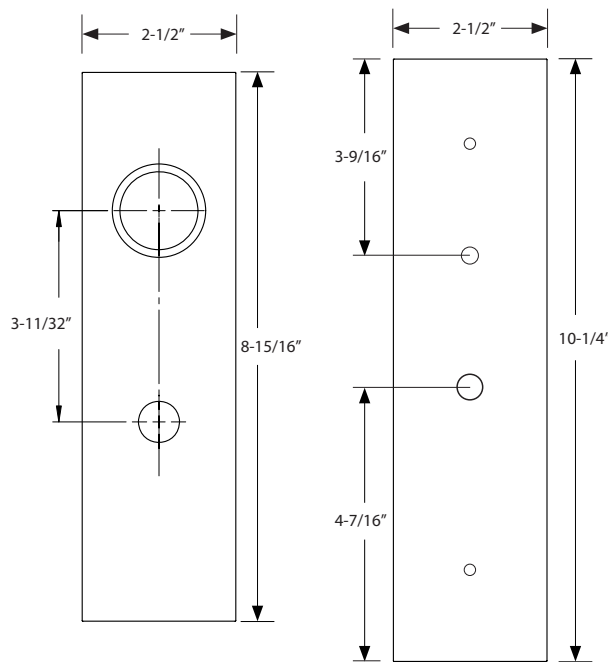
Part# UL S3501



Outside Trim



Inside Trim



Door Thickness Specifications

Standard Door Thickness: 1-3/4"

Standard Components:

- 1-3/8" Threaded Cylinder
- 2" Long Spindle
- 2" Top Rosette Screw
- 1-1/2" Bottom Rosette Screw
- Thumbpress
- Strikeplate

Extended Door Thickness: 1-7/8" - 2-1/4"

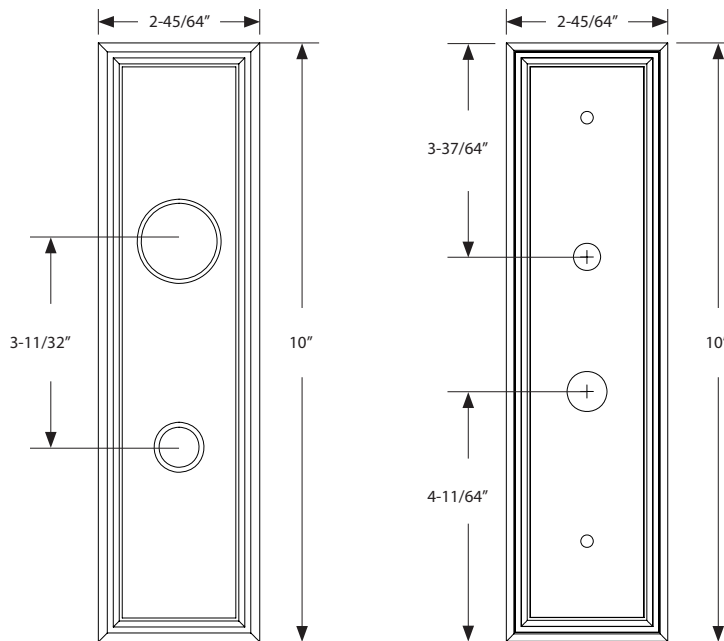
Extended Components:

- 1-1/2" Threaded Cylinder
- 2" Long Spindle
- 2-1/2" Top Rosette Screw
- 2" Bottom Rosette Screw
- Thumbpress
- Strikeplate

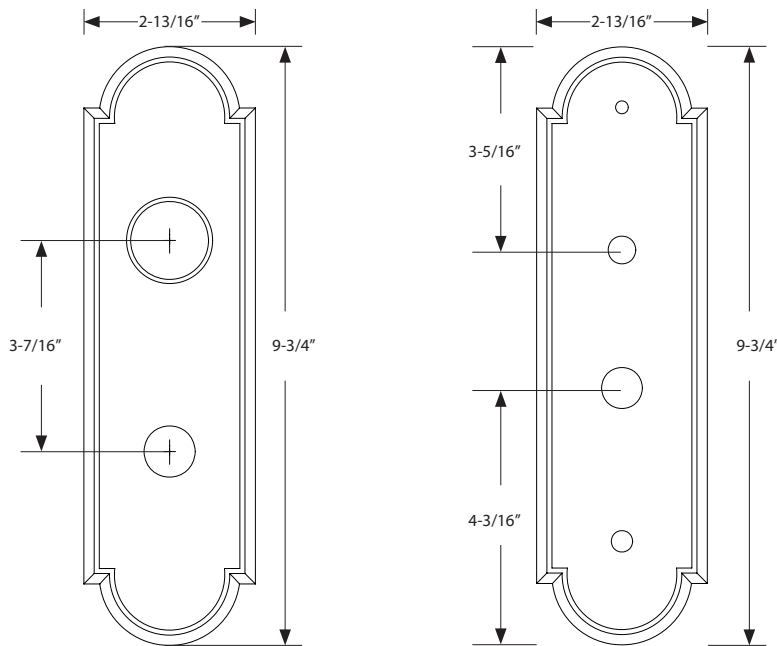
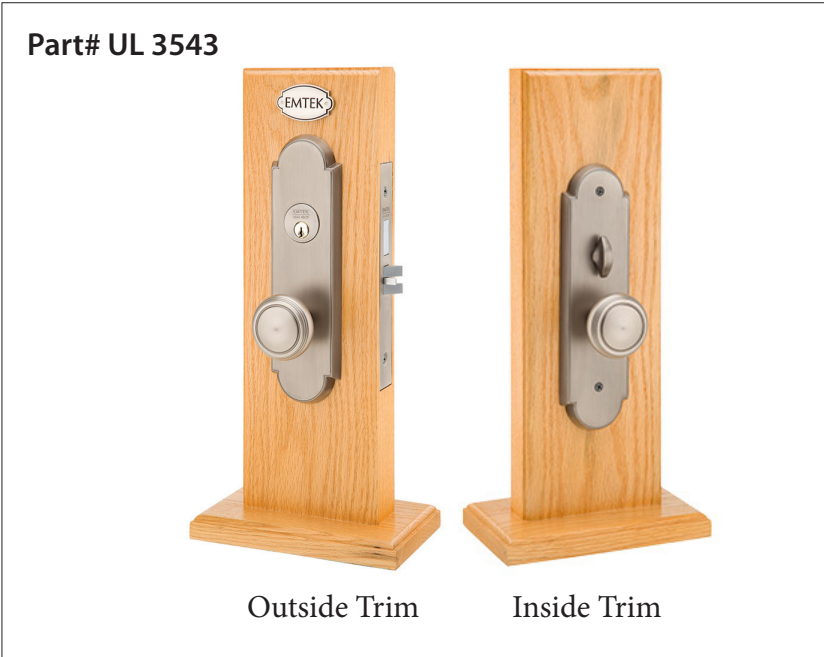
Extended Door Thickness: 2-3/8" - 2-3/4"

Extended Components:

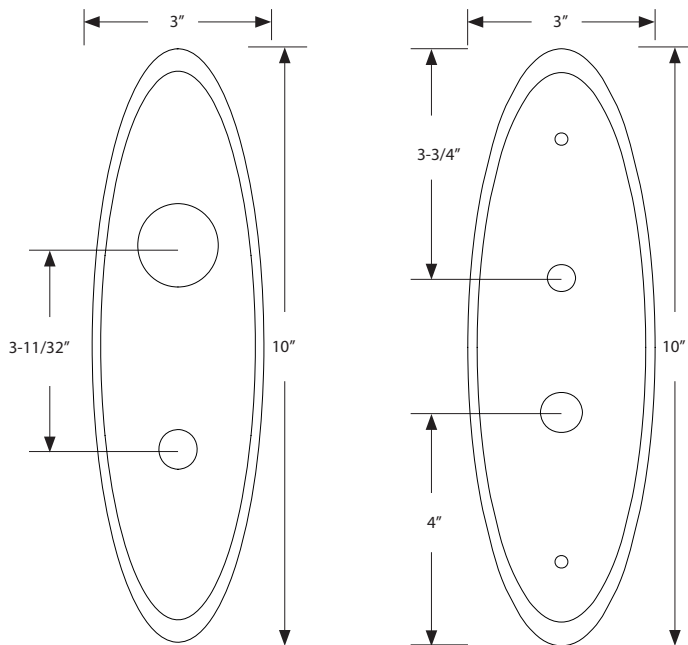
- 1-3/4" Threaded Cylinder
- 2-1/4" Long Spindle
- 2-1/2" Top Rosette Screw
- 2" Bottom Rosette Screw
- Extended Thumbpress
- Extended Strikeplate



Door Thickness Specifications		
<p>Standard Door Thickness: 1-3/4"</p> <p>Standard Components:</p> <ul style="list-style-type: none"> • 1-3/8" Threaded Cylinder • 2" Long Spindle • 2" Top Rosette Screw • 1-1/2" Bottom Rosette Screw • Thumbpress • Strikeplate 	<p>Extended Door Thickness: 1-7/8" - 2-1/4"</p> <p>Extended Components:</p> <ul style="list-style-type: none"> • 1-1/2" Threaded Cylinder • 2" Long Spindle • 2-1/2" Top Rosette Screw • 2" Bottom Rosette Screw • Thumbpress • Strikeplate 	<p>Extended Door Thickness: 2-3/8" - 2-3/4"</p> <p>Extended Components:</p> <ul style="list-style-type: none"> • 1-3/4" Threaded Cylinder • 2-1/4" Long Spindle • 2-1/2" Top Rosette Screw • 2" Bottom Rosette Screw • Extended Thumbpress • Extended Strikeplate



Door Thickness Specifications		
<p>Standard Door Thickness: 1-3/4"</p> <p>Standard Components:</p> <ul style="list-style-type: none"> • 1-3/8" Threaded Cylinder • 2" Long Spindle • 2" Top Rosette Screw • 1-1/2" Bottom Rosette Screw • Thumbpress • Strikeplate 	<p>Extended Door Thickness: 1-7/8" - 2-1/4"</p> <p>Extended Components:</p> <ul style="list-style-type: none"> • 1-1/2" Threaded Cylinder • 2" Long Spindle • 2-1/2" Top Rosette Screw • 2" Bottom Rosette Screw • Thumbpress • Strikeplate 	<p>Extended Door Thickness: 2-3/8" - 2-3/4"</p> <p>Extended Components:</p> <ul style="list-style-type: none"> • 1-3/4" Threaded Cylinder • 2-1/4" Long Spindle • 2-1/2" Top Rosette Screw • 2" Bottom Rosette Screw • Extended Thumbpress • Extended Strikeplate



Door Thickness Specifications

Standard Door Thickness: 1-3/4"

- Standard Components:
- 1-3/8" Threaded Cylinder
 - 2" Long Spindle
 - 2" Top Rosette Screw
 - 1-1/2" Bottom Rosette Screw
 - Thumbpress
 - Strikeplate

Extended Door Thickness: 1-7/8" - 2-1/4"

- Extended Components:
- 1-1/2" Threaded Cylinder
 - 2" Long Spindle
 - 2-1/2" Top Rosette Screw
 - 2" Bottom Rosette Screw
 - Thumbpress
 - Strikeplate

Extended Door Thickness: 2-3/8" - 2-3/4"

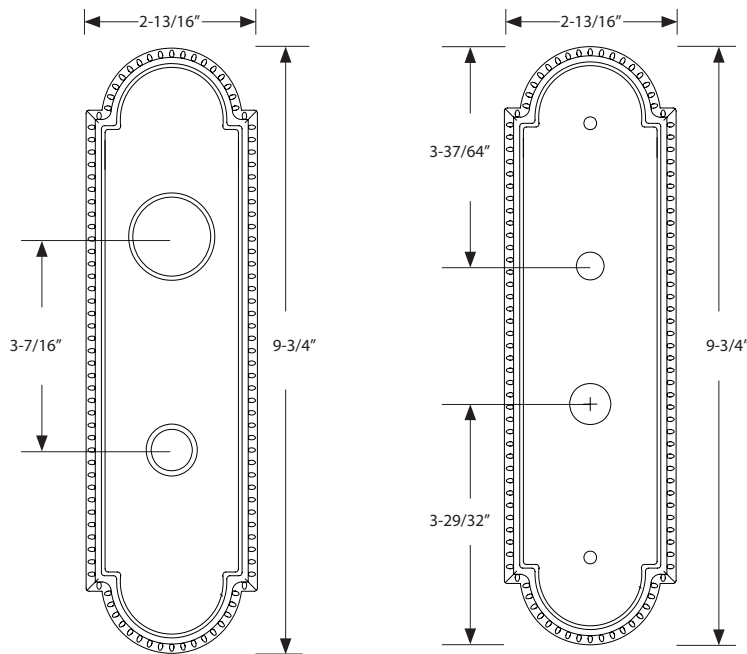
- Extended Components:
- 1-3/4" Threaded Cylinder
 - 2-1/4" Long Spindle
 - 2-1/2" Top Rosette Screw
 - 2" Bottom Rosette Screw
 - Extended Thumbpress
 - Extended Strikeplate

Part# UL 3504



Outside Trim

Inside Trim



Door Thickness Specifications

Standard Door Thickness: 1-3/4"

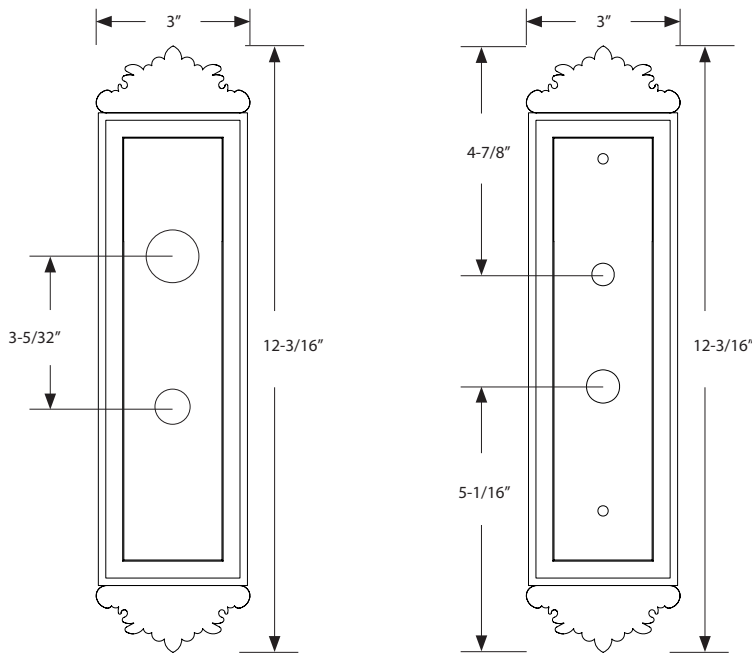
- Standard Components:
- 1-3/8" Threaded Cylinder
 - 2" Long Spindle
 - 2" Top Rosette Screw
 - 1-1/2" Bottom Rosette Screw
 - Thumbpress
 - Strikeplate

Extended Door Thickness: 1-7/8" - 2-1/4"

- Extended Components:
- 1-1/2" Threaded Cylinder
 - 2" Long Spindle
 - 2-1/2" Top Rosette Screw
 - 2" Bottom Rosette Screw
 - Thumbpress
 - Strikeplate

Extended Door Thickness: 2-3/8" - 2-3/4"

- Extended Components:
- 1-3/4" Threaded Cylinder
 - 2-1/4" Long Spindle
 - 2-1/2" Top Rosette Screw
 - 2" Bottom Rosette Screw
 - Extended Thumbpress
 - Extended Strikeplate



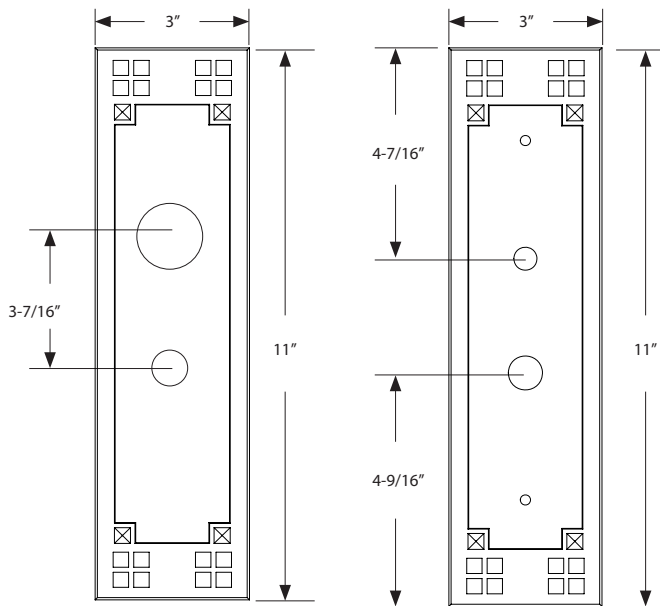
Door Thickness Specifications		
<p>Standard Door Thickness: 1-3/4"</p> <p>Standard Components:</p> <ul style="list-style-type: none"> • 1-3/8" Threaded Cylinder • 2" Long Spindle • 2" Top Rosette Screw • 1-1/2" Bottom Rosette Screw • Thumbpress • Strikeplate 	<p>Extended Door Thickness: 1-7/8" - 2-1/4"</p> <p>Extended Components:</p> <ul style="list-style-type: none"> • 1-1/2" Threaded Cylinder • 2" Long Spindle • 2-1/2" Top Rosette Screw • 2" Bottom Rosette Screw • Thumbpress • Strikeplate 	<p>Extended Door Thickness: 2-3/8" - 2-3/4"</p> <p>Extended Components:</p> <ul style="list-style-type: none"> • 1-3/4" Threaded Cylinder • 2-1/4" Long Spindle • 2-1/2" Top Rosette Screw • 2" Bottom Rosette Screw • Extended Thumbpress • Extended Strikeplate

Part# UL 3508



Outside Trim

Inside Trim



Door Thickness Specifications

Standard Door Thickness: 1-3/4"

- Standard Components:
- 1-3/8" Threaded Cylinder
 - 2" Long Spindle
 - 2" Top Rosette Screw
 - 1-1/2" Bottom Rosette Screw
 - Thumbpress
 - Strikeplate

Extended Door Thickness: 1-7/8" - 2-1/4"

- Extended Components:
- 1-1/2" Threaded Cylinder
 - 2" Long Spindle
 - 2-1/2" Top Rosette Screw
 - 2" Bottom Rosette Screw
 - Thumbpress
 - Strikeplate

Extended Door Thickness: 2-3/8" - 2-3/4"

- Extended Components:
- 1-3/4" Threaded Cylinder
 - 2-1/4" Long Spindle
 - 2-1/2" Top Rosette Screw
 - 2" Bottom Rosette Screw
 - Extended Thumbpress
 - Extended Strikeplate

DISCONTINUED

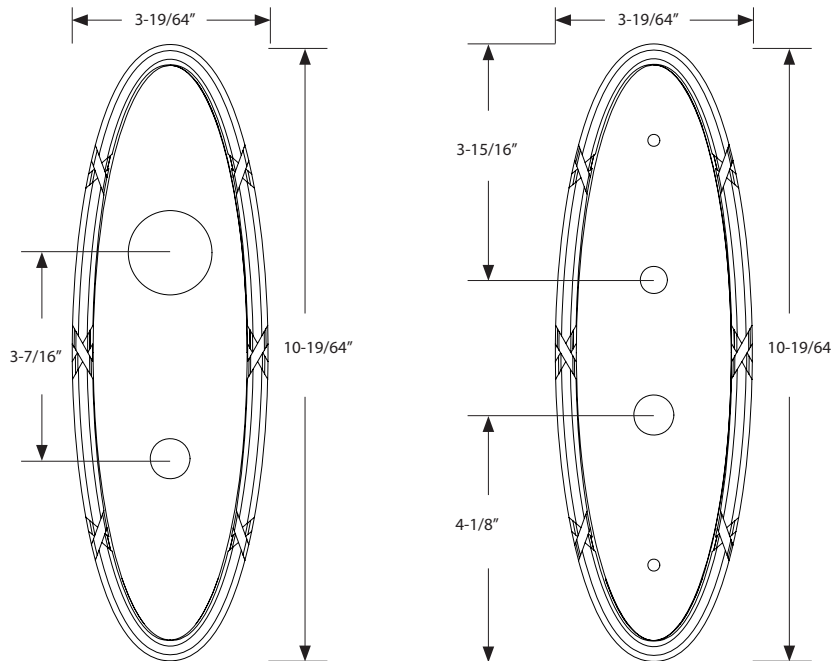
Oval Ribbon & Reed UL Morstise Knob by Knob, Lever by Lever Entry Sets

Oval Ribbon & Reed
Part# UL 3542



Outside Trim

Inside Trim



Door Thickness Specifications

Standard Door Thickness: 1-3/4"

Standard Components:

- 1-3/8" Threaded Cylinder
- 2" Long Spindle
- 2" Top Rosette Screw
- 1-1/2" Bottom Rosette Screw
- Thumbpress
- Strikeplate

Extended Door Thickness: 1-7/8" - 2-1/4"

Extended Components:

- 1-1/2" Threaded Cylinder
- 2" Long Spindle
- 2-1/2" Top Rosette Screw
- 2" Bottom Rosette Screw
- Thumbpress
- Strikeplate

Extended Door Thickness: 2-3/8" - 2-3/4"

Extended Components:

- 1-3/4" Threaded Cylinder
- 2-1/4" Long Spindle
- 2-1/2" Top Rosette Screw
- 2" Bottom Rosette Screw
- Extended Thumbpress
- Extended Strikeplate

DISCONTINUED

Valley Forge UL Morstise Knob by Knob, Lever by Lever Entry Sets

EMTEK[®]

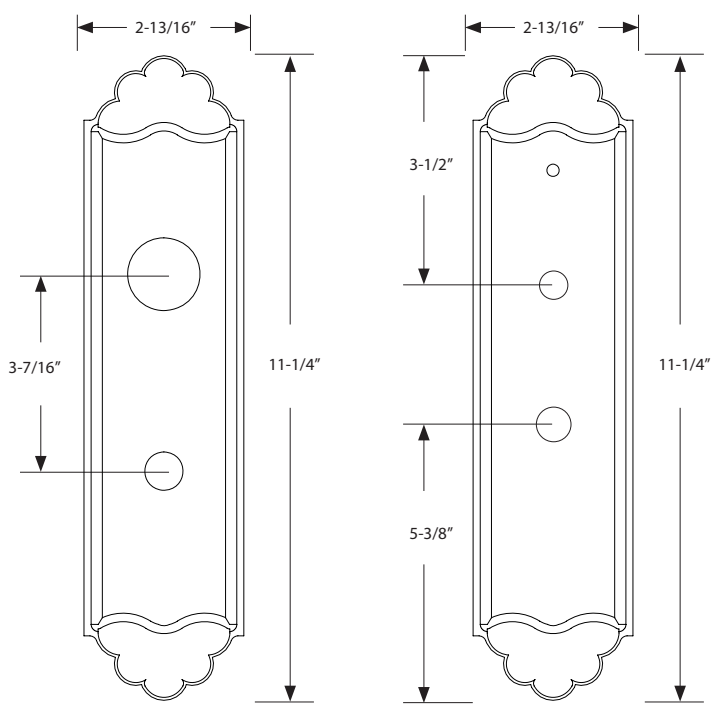
ASSA ABLOY



Valley Forge
Part# UL 3541

Outside Trim

Inside Trim



Door Thickness Specifications		
<p>Standard Door Thickness: 1-3/4"</p> <p>Standard Components:</p> <ul style="list-style-type: none"> • 1-3/8" Threaded Cylinder • 2" Long Spindle • 2" Top Rosette Screw • 1-1/2" Bottom Rosette Screw • Thumbpress • Strikeplate 	<p>Extended Door Thickness: 1-7/8" - 2-1/4"</p> <p>Extended Components:</p> <ul style="list-style-type: none"> • 1-1/2" Threaded Cylinder • 2" Long Spindle • 2-1/2" Top Rosette Screw • 2" Bottom Rosette Screw • Thumbpress • Strikeplate 	<p>Extended Door Thickness: 2-3/8" - 2-3/4"</p> <p>Extended Components:</p> <ul style="list-style-type: none"> • 1-3/4" Threaded Cylinder • 2-1/4" Long Spindle • 2-1/2" Top Rosette Screw • 2" Bottom Rosette Screw • Extended Thumbpress • Extended Strikeplate

DISCONTINUED

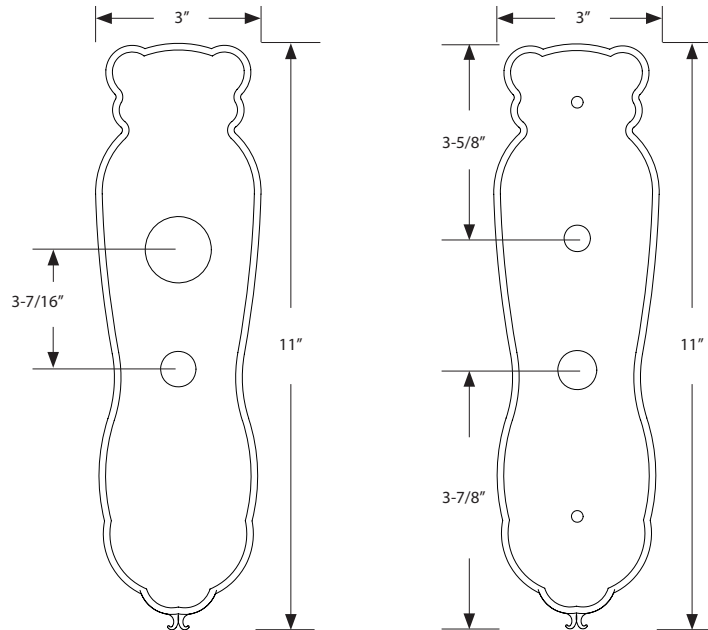
Art Nouveau UL Morstise Knob by Knob, Lever by Lever Entry Sets

Art Nouveau
Part# UL 3532



Outside Trim

Inside Trim



Door Thickness Specifications

Standard Door Thickness: 1-3/4"

- Standard Components:
- 1-3/8" Threaded Cylinder
 - 2" Long Spindle
 - 2" Top Rosette Screw
 - 1-1/2" Bottom Rosette Screw
 - Thumbpress
 - Strikeplate

Extended Door Thickness: 1-7/8" - 2-1/4"

- Extended Components:
- 1-1/2" Threaded Cylinder
 - 2" Long Spindle
 - 2-1/2" Top Rosette Screw
 - 2" Bottom Rosette Screw
 - Thumbpress
 - Strikeplate

Extended Door Thickness: 2-3/8" - 2-3/4"

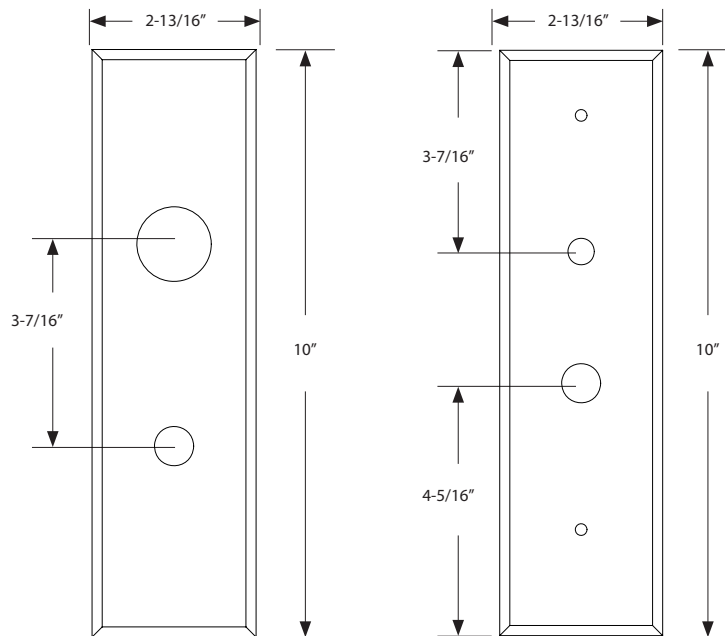
- Extended Components:
- 1-3/4" Threaded Cylinder
 - 2-1/4" Long Spindle
 - 2-1/2" Top Rosette Screw
 - 2" Bottom Rosette Screw
 - Extended Thumbpress
 - Extended Strikeplate

Part# UL 3525



Outside Trim

Inside Trim



Door Thickness Specifications

Standard Door Thickness: 1-3/4"

Standard Components:

- 1-3/8" Threaded Cylinder
- 2" Long Spindle
- 2" Top Rosette Screw
- 1-1/2" Bottom Rosette Screw
- Thumbpress
- Strikeplate

Extended Door Thickness: 1-7/8" - 2-1/4"

Extended Components:

- 1-1/2" Threaded Cylinder
- 2" Long Spindle
- 2-1/2" Top Rosette Screw
- 2" Bottom Rosette Screw
- Thumbpress
- Strikeplate

Extended Door Thickness: 2-3/8" - 2-3/4"

Extended Components:

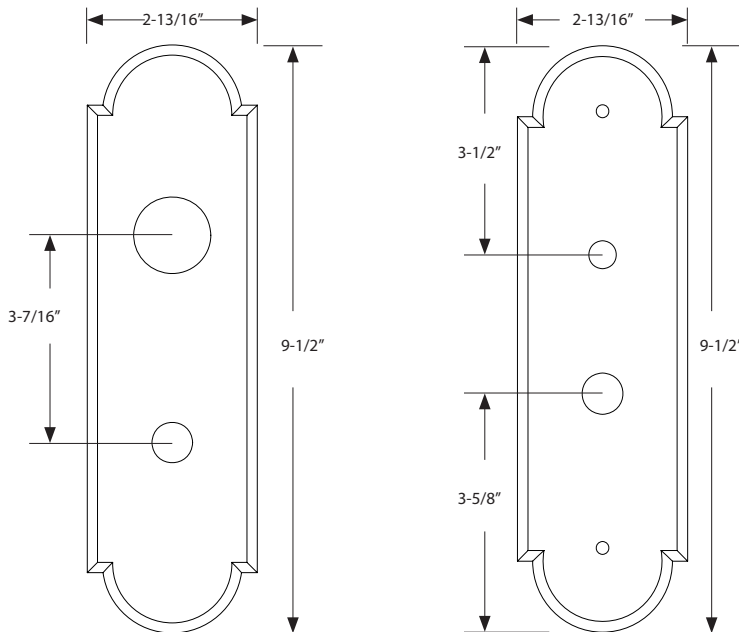
- 1-3/4" Threaded Cylinder
- 2-1/4" Long Spindle
- 2-1/2" Top Rosette Screw
- 2" Bottom Rosette Screw
- Extended Thumbpress
- Extended Strikeplate

Part# UL 3521



Outside Trim

Inside Trim



Door Thickness Specifications

Standard Door Thickness: 1-3/4"

Standard Components:

- 1-3/8" Threaded Cylinder
- 2" Long Spindle
- 2" Top Rosette Screw
- 1-1/2" Bottom Rosette Screw
- Thumbpress
- Strikeplate

Extended Door Thickness: 1-7/8" - 2-1/4"

Extended Components:

- 1-1/2" Threaded Cylinder
- 2" Long Spindle
- 2-1/2" Top Rosette Screw
- 2" Bottom Rosette Screw
- Thumbpress
- Strikeplate

Extended Door Thickness: 2-3/8" - 2-3/4"

Extended Components:

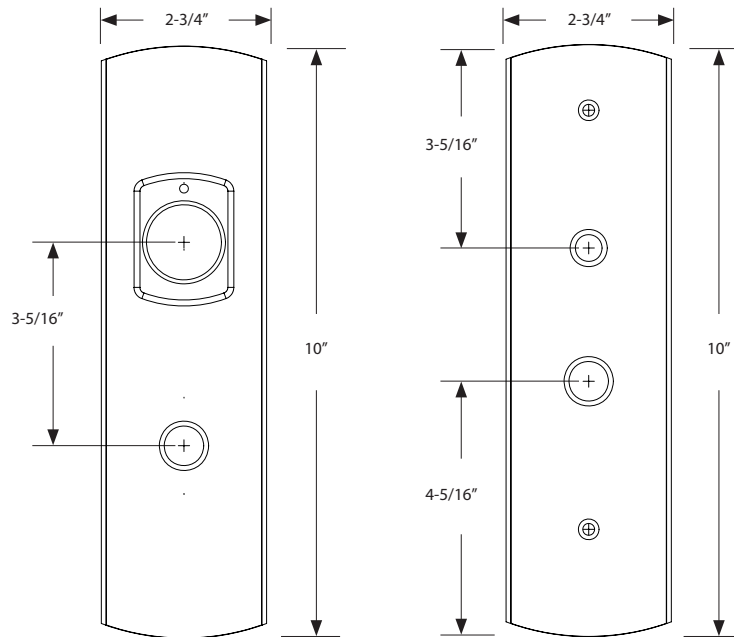
- 1-3/4" Threaded Cylinder
- 2-1/4" Long Spindle
- 2-1/2" Top Rosette Screw
- 2" Bottom Rosette Screw
- Extended Thumbpress
- Extended Strikeplate

Part# UL 3534



Outside Trim

Inside Trim



Door Thickness Specifications

Standard Door Thickness: 1-3/4"

- Standard Components:
- 1-3/8" Threaded Cylinder
 - 2" Long Spindle
 - 2" Top Rosette Screw
 - 1-1/2" Bottom Rosette Screw
 - Thumbpress
 - Strikeplate

Extended Door Thickness: 1-7/8" - 2-1/4"

- Extended Components:
- 1-1/2" Threaded Cylinder
 - 2" Long Spindle
 - 2-1/2" Top Rosette Screw
 - 2" Bottom Rosette Screw
 - Thumbpress
 - Strikeplate

Extended Door Thickness: 2-3/8" - 2-3/4"

- Extended Components:
- 1-3/4" Threaded Cylinder
 - 2-1/4" Long Spindle
 - 2-1/2" Top Rosette Screw
 - 2" Bottom Rosette Screw
 - Extended Thumbpress
 - Extended Strikeplate

DISCONTINUED

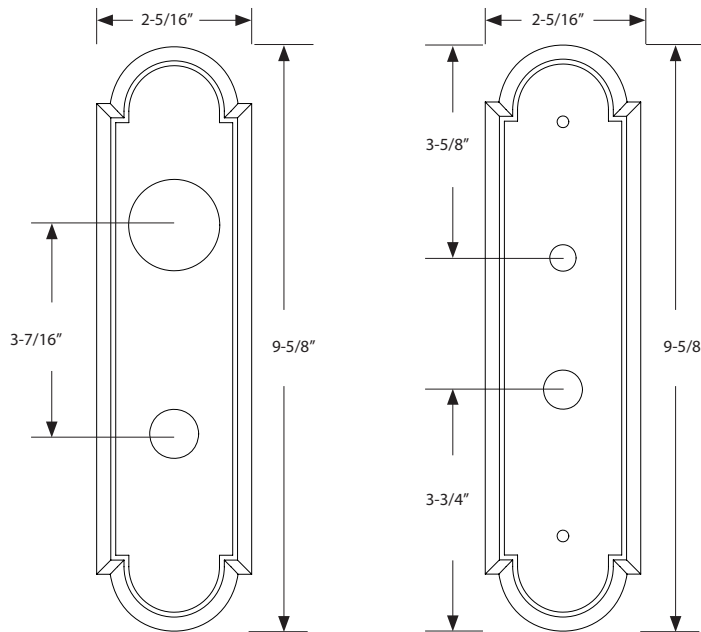
Wrought Steel UL Morstise Knob by Knob, Lever by Lever Entry Sets

Wrought Steel
Part# UL 3511



Outside Trim

Inside Trim



Door Thickness Specifications

Standard Door Thickness: 1-3/4"

- Standard Components:
- 1-3/8" Threaded Cylinder
 - 2" Long Spindle
 - 2" Top Rosette Screw
 - 1-1/2" Bottom Rosette Screw
 - Thumbpress
 - Strikeplate

Extended Door Thickness: 1-7/8" - 2-1/4"

- Extended Components:
- 1-1/2" Threaded Cylinder
 - 2" Long Spindle
 - 2-1/2" Top Rosette Screw
 - 2" Bottom Rosette Screw
 - Thumbpress
 - Strikeplate

Extended Door Thickness: 2-3/8" - 2-3/4"

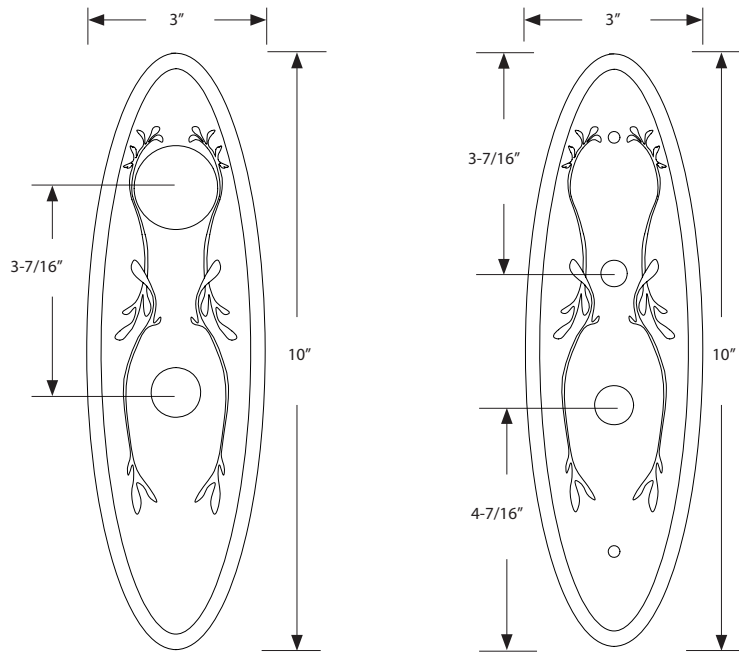
- Extended Components:
- 1-3/4" Threaded Cylinder
 - 2-1/4" Long Spindle
 - 2-1/2" Top Rosette Screw
 - 2" Bottom Rosette Screw
 - Extended Thumbpress
 - Extended Strikeplate

Da Vinci
 Part# UL 3531



Outside Trim

Inside Trim



Door Thickness Specifications

Standard Door Thickness: 1-3/4"

Standard Components:

- 1-3/8" Threaded Cylinder
- 2" Long Spindle
- 2" Top Rosette Screw
- 1-1/2" Bottom Rosette Screw
- Thumbpress
- Strikeplate

Extended Door Thickness: 1-7/8" - 2-1/4"

Extended Components:

- 1-1/2" Threaded Cylinder
- 2" Long Spindle
- 2-1/2" Top Rosette Screw
- 2" Bottom Rosette Screw
- Thumbpress
- Strikeplate

Extended Door Thickness: 2-3/8" - 2-3/4"

Extended Components:

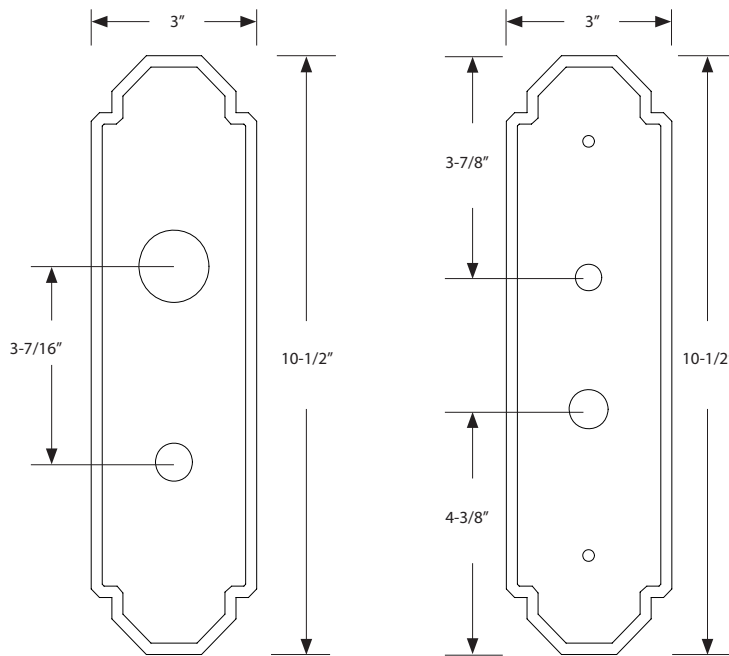
- 1-3/4" Threaded Cylinder
- 2-1/4" Long Spindle
- 2-1/2" Top Rosette Screw
- 2" Bottom Rosette Screw
- Extended Thumbpress
- Extended Strikeplate

Part# UL 3533



Outside Trim

Inside Trim



Door Thickness Specifications

Standard Door Thickness: 1-3/4"

- Standard Components:
- 1-3/8" Threaded Cylinder
 - 2" Long Spindle
 - 2" Top Rosette Screw
 - 1-1/2" Bottom Rosette Screw
 - Thumbpress
 - Strikeplate

Extended Door Thickness: 1-7/8" - 2-1/4"

- Extended Components:
- 1-1/2" Threaded Cylinder
 - 2" Long Spindle
 - 2-1/2" Top Rosette Screw
 - 2" Bottom Rosette Screw
 - Thumbpress
 - Strikeplate

Extended Door Thickness: 2-3/8" - 2-3/4"

- Extended Components:
- 1-3/4" Threaded Cylinder
 - 2-1/4" Long Spindle
 - 2-1/2" Top Rosette Screw
 - 2" Bottom Rosette Screw
 - Extended Thumbpress
 - Extended Strikeplate