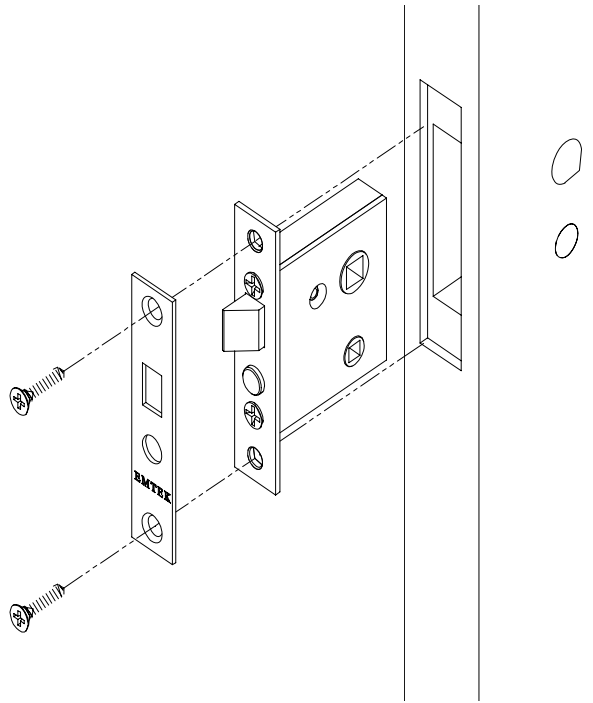
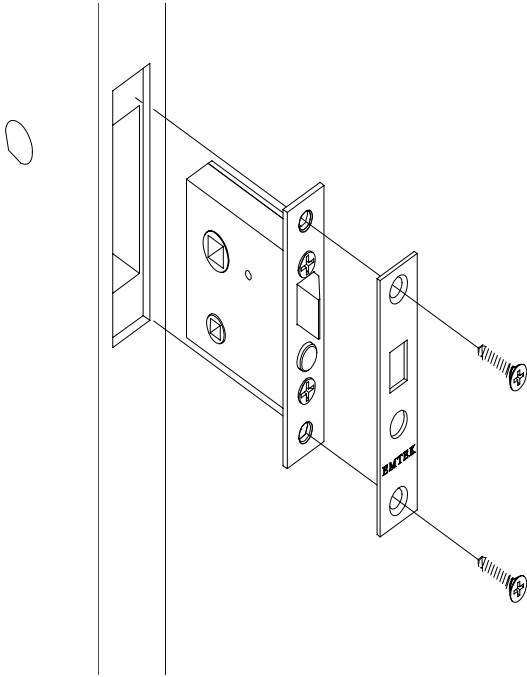


Screen Door Mortise Lock Installation Guide

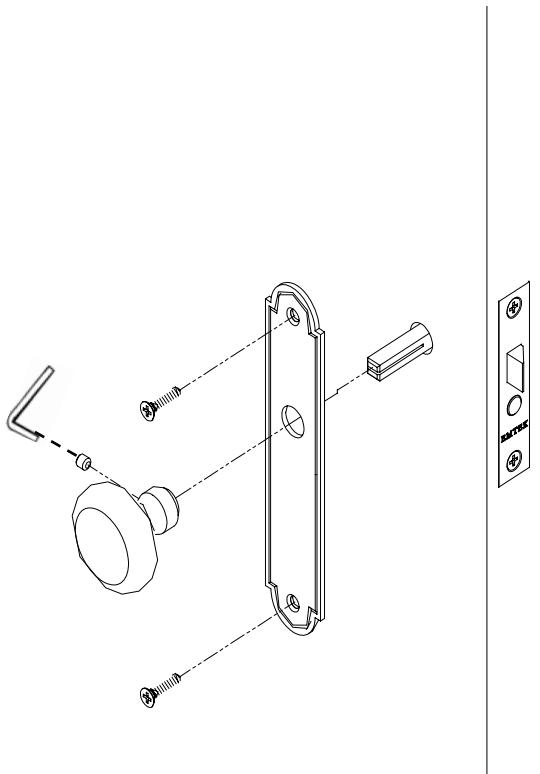
Outside

See template for door prep specifications

Inside

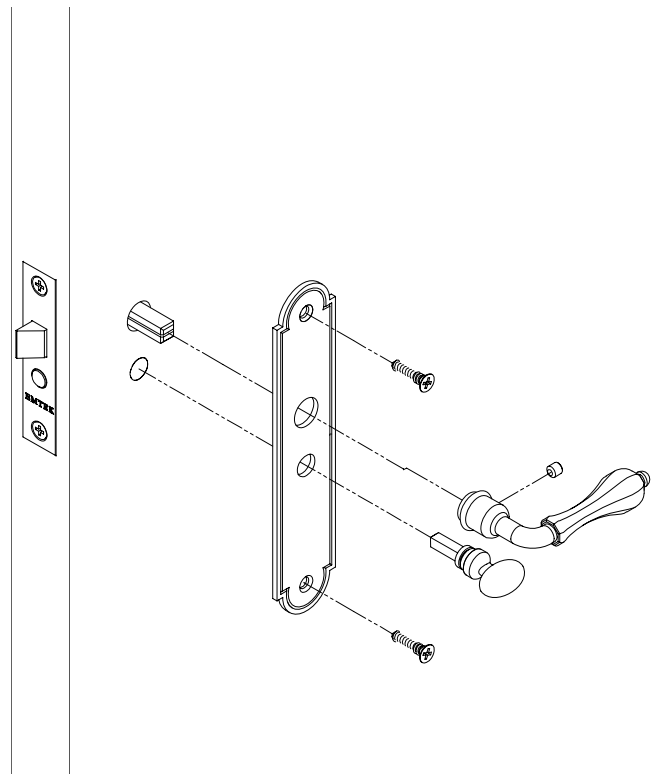


Outside Trim



Secure knob & Lever to spindle stem with Allen Wrench (provided)

Inside Trim

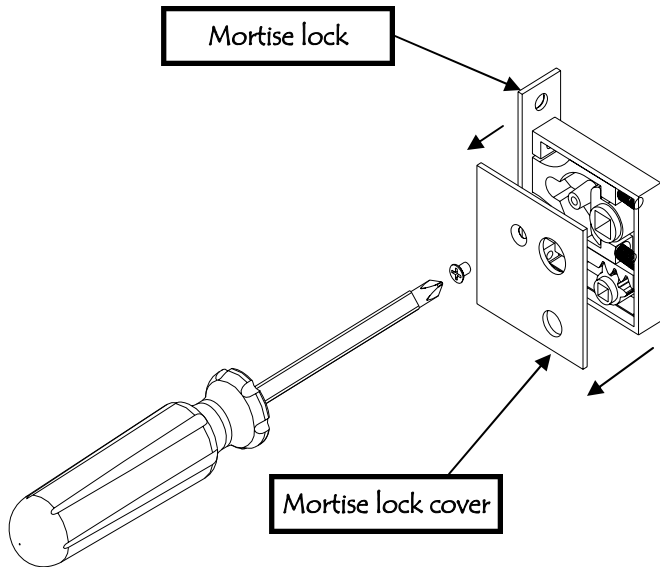


Plates and grips vary depending on style.

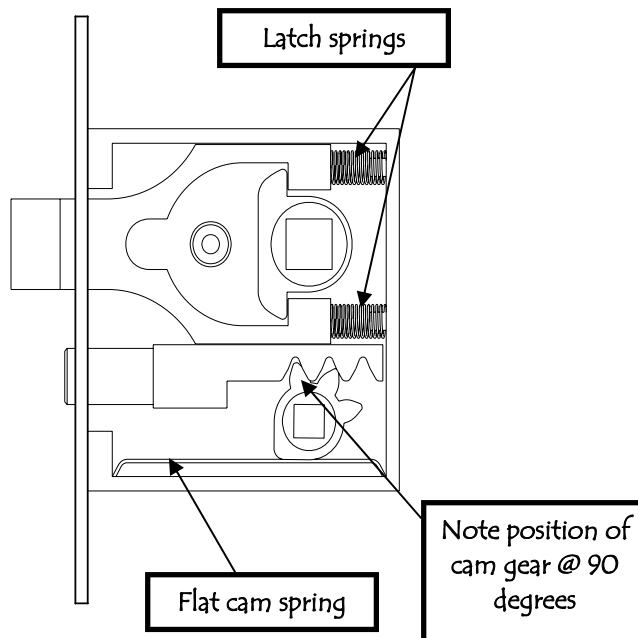
Step 1

To change latch configuration for left handed door:

Step 2



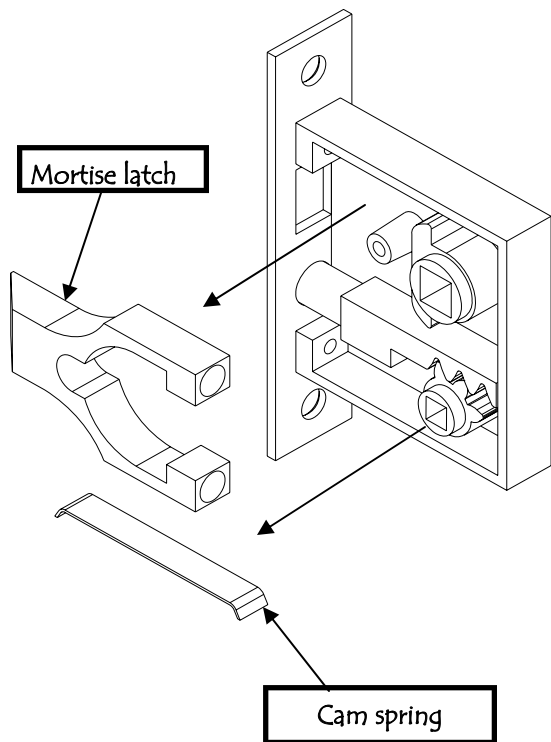
Remove mortise lock cover with Phillips screwdriver



Depress and remove latch springs & cam spring
Using needle nose pliers

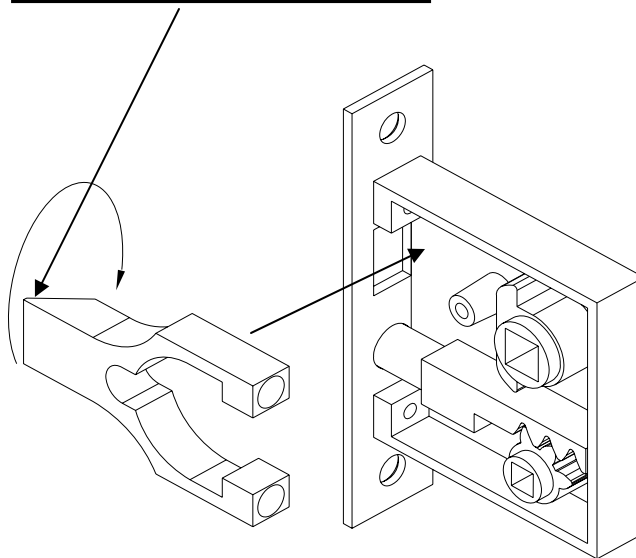
Step 3

Step 4



With all the springs removed, lift latch from mortise box

Note new latch nose orientation



Rotate latch as shown & reverse steps 1-3 to reassemble