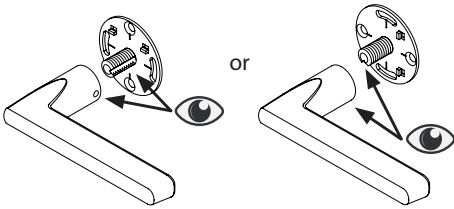
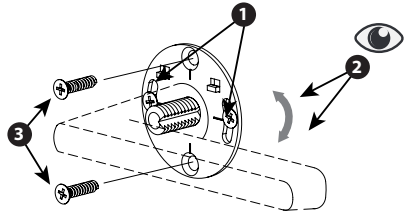


Installation Guide for Large Multi Point - Dummy Function

1 Align mounting plate

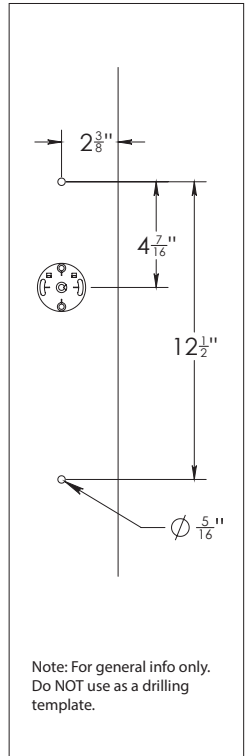
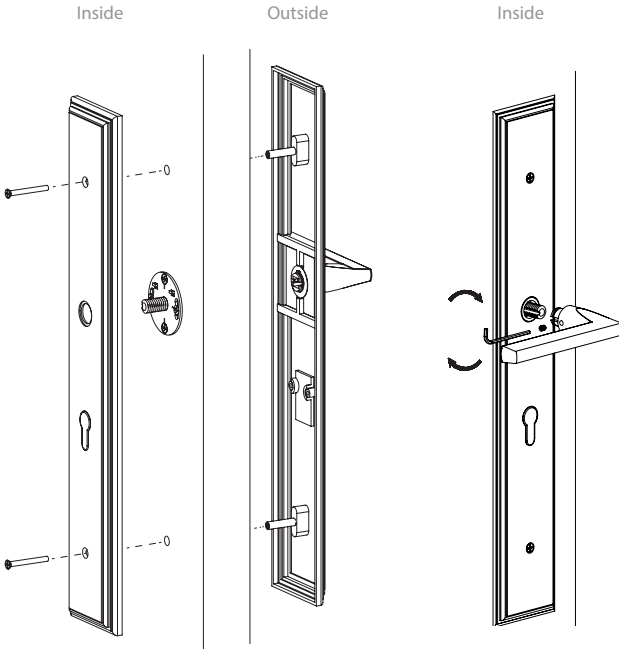


2 Install mounting plate & adjust for level

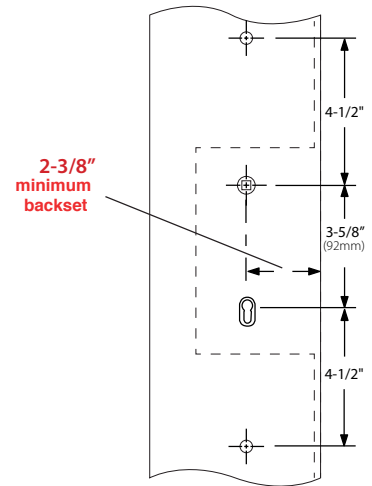
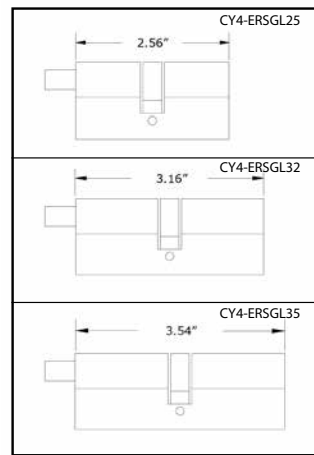
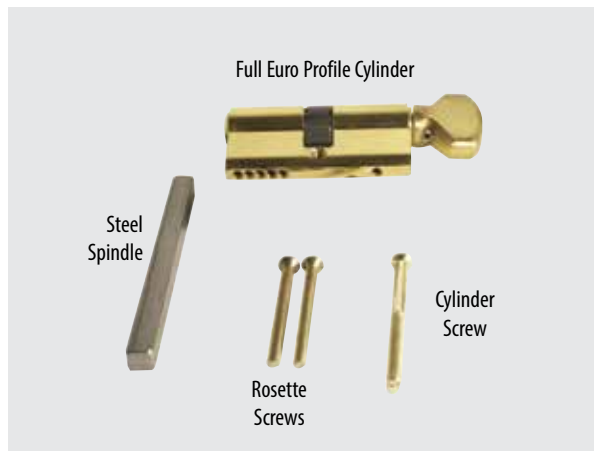


3 Install trim plates

4 Tighten set screw



WARNING: This product can expose you to chemicals including lead, which is known to the state of California to cause cancer and birth defects or other reproductive harm. For more information go to www.P65Warnings.ca.gov.



Keyed Plates with Euro Profile Cylinder

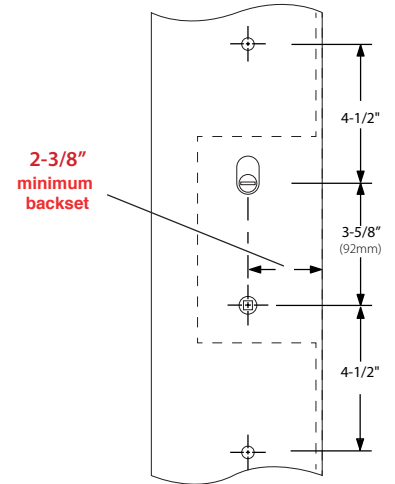
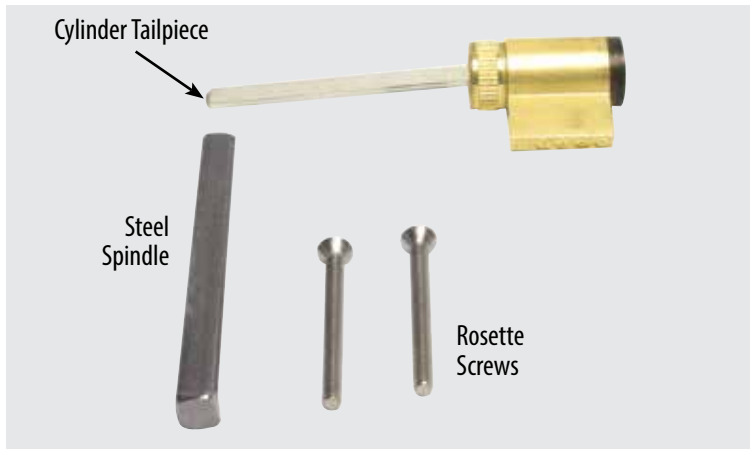
Standard Door Thickness: from 1 5/8" to 2"	Extended Door Thickness: Over 2" to 2 1/2"	Extended Door Thickness: Over 2 1/2" to 2 3/4"
Standard Components: • 2 9/16" Euro Profile Cylinder • 3 3/4" Steel Spindle • 1 1/2" Rosette Screws	Extended Components: • 3 5/8" Euro Profile Cylinder • 4 1/2" Steel Spindle • 2" Rosette Screws	Extended Components: • 3 7/8" Euro Profile Cylinder • 5" Steel Spindle • 3" Rosette Screws

Dummy Plates

Standard Door Thickness: from 1 5/8" to 2"	Extended Door Thickness: Over 2" to 2 3/4"
Standard Components: • 2" Rosette Screws • 1 1/2" Rosette Screws for 1 5/8" thick door	Extended Components: • 2 1/2" Rosette Screws • 2" Rosette Screws for 2" - 2 1/8" thick door

CUSTOM KEYING

<p>Charge for Re-Keying - \$2.00 (NET) per Cylinder</p>
<p>• Locks that are keyed to code or keyed alike in a house group will be charged \$2.00 (NET) per cylinder.</p>
<p>Keying to Code</p>
<p>• Order by indicating "Key Code XXXXX" next to applicable locks.</p>
<p>Keying Alike</p>
<p>• Order by indicating "Keyed Alike" next to applicable locks if only one keyed alike group is wanted. • If ordering multiple groups (houses) indicate "Keyed Alike House #_" next to applicable locks.</p>



Keyed Plates with American Cylinder

Standard Door Thickness: from 1 5/8" to 2"
Standard Components: • Single Cylinder Tailpiece • 3 3/4" Steel Spindle • 2" Rosette Screws • 1 1/2" Rosette Screws for 1 5/8" thick door

Extended Door Thickness: Over 2" to 2 3/4"
Extended Components: • Long Single Cylinder Tailpiece • 4 1/2" Steel Spindle • 2 1/2" Rosette Screws • 2" Rosette Screws for 2" - 2 1/8" thick door

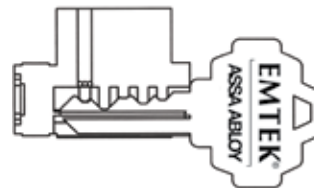
Dummy Plates

Standard Door Thickness: from 1 5/8" to 2"
Standard Components: • 2" Rosette Screws • 1 1/2" Rosette Screws for 1 5/8" thick door

Extended Door Thickness: Over 2" to 2 3/4"
Extended Components: • 2 1/2" Rosette Screws • 2" Rosette Screws for 2" - 2 1/8" thick door

CONSTRUCTION KEYING

- Lost ball system.
- Last four pin locations drilled for lost ball application.
- Master key pins used for code variability.
- Construction keys and owner keys sent separately.
- Order by indicating "Construction Keyed, House #_" next to applicable locks.



- Construction devices used on one or more of last four positions.



- Dimples drilled in plug in this position.

Charge for Construction Keying - \$3.00 (NET)
• Locks that are both construction keyed and keyed alike in a house group will be charged a total of \$5.00 (NET) per cylinder.

Charge for Re-Keying - \$2.00 (NET) per Cylinder
• Locks that are keyed to code or keyed alike in a house group will be charged \$2.00 (NET) per cylinder.

Keying to Code
• Order by indicating "Key Code XXXXX" next to applicable locks.

Keying Alike
• Order by indicating "Keyed Alike" next to applicable locks if only one keyed alike group is wanted.
• If ordering multiple groups (houses) indicate "Keyed Alike House #_" next to applicable locks.