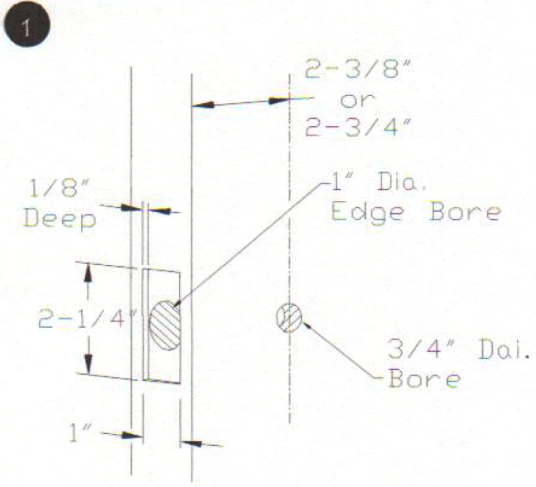
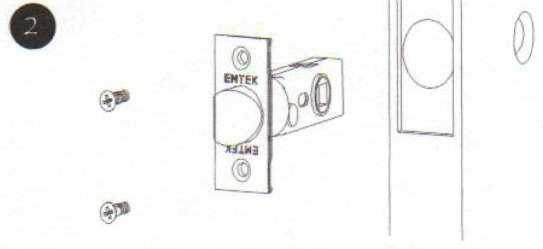


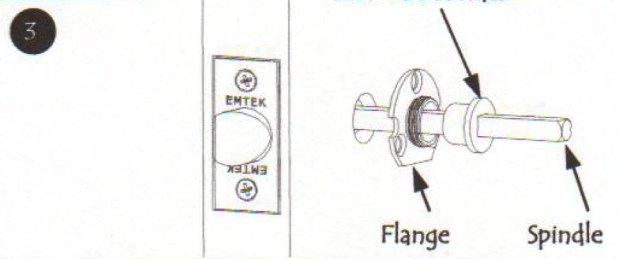
Passage Door Prep. Active



Install Latch



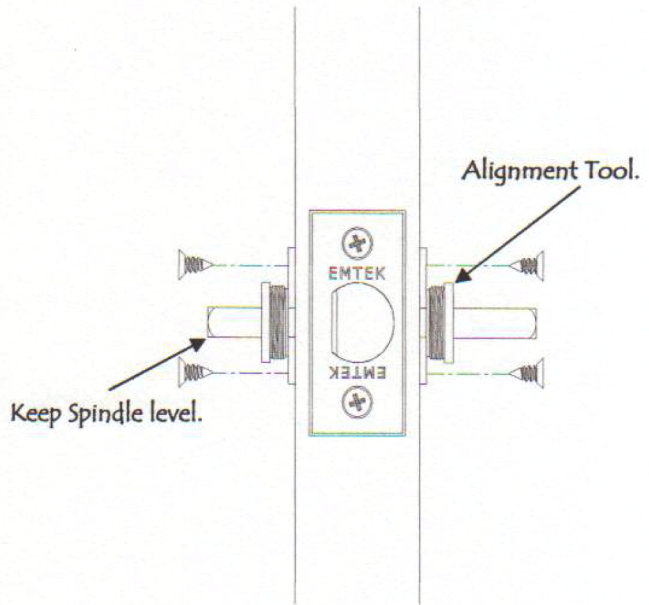
Align Flange



Install Flanges

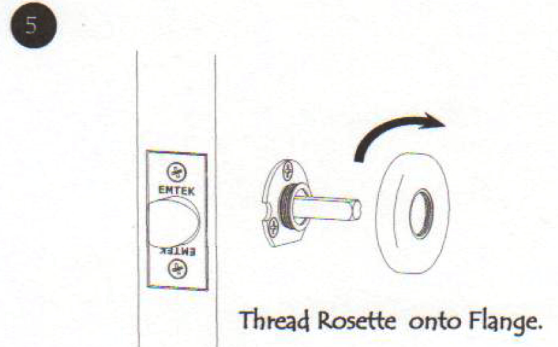
4

IMPROTANT: Make sure that the spindle is level before screwing Flange to door.



Remember to Remove Plastic Alignment Tool after Flanges are installed.

Install Rosette



Install knobs to Spindle

