

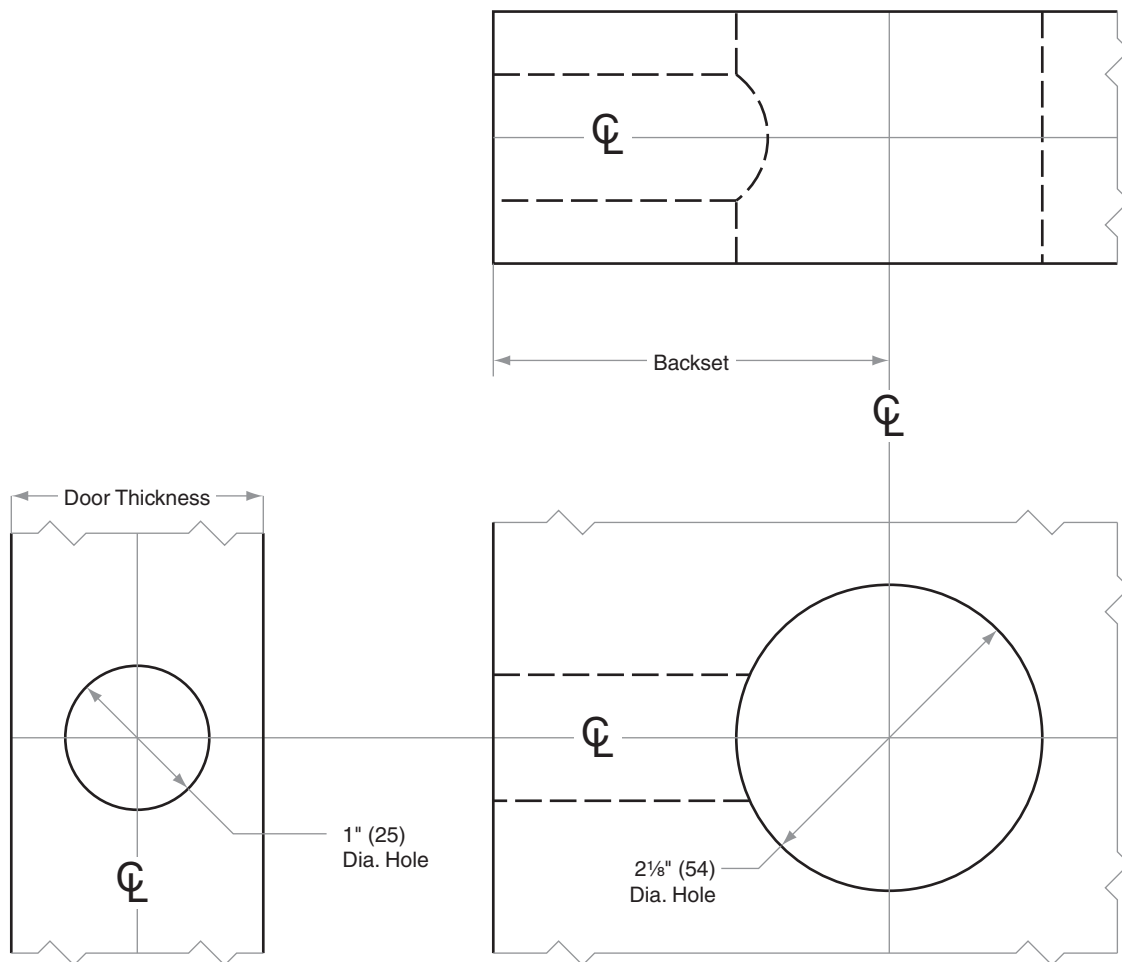


# F-Series

## F10-F80

Door Type: Wood or Composite, Flat  
Door Thickness:  $1\frac{3}{8}$ " (35 mm)– $1\frac{3}{4}$ " (44 mm)  
Faceplate: Circular Drive-In  
Backsets:  $2\frac{3}{8}$ " (60 mm),  $2\frac{3}{4}$ " (70 mm), 5" (127 mm)

Standard backset in bold.



Dimensions shown in parentheses ( ) are in millimeters.

© 2018 Allegion  
RF102 Rev. 03/18  
www.allegion.com/us

**DRAWING IS NOT TO SCALE!**  
**Customer service: 888-805-9837**  
**We can help you find the correct guide for your product and application!**

Door preparation guide

# RF102