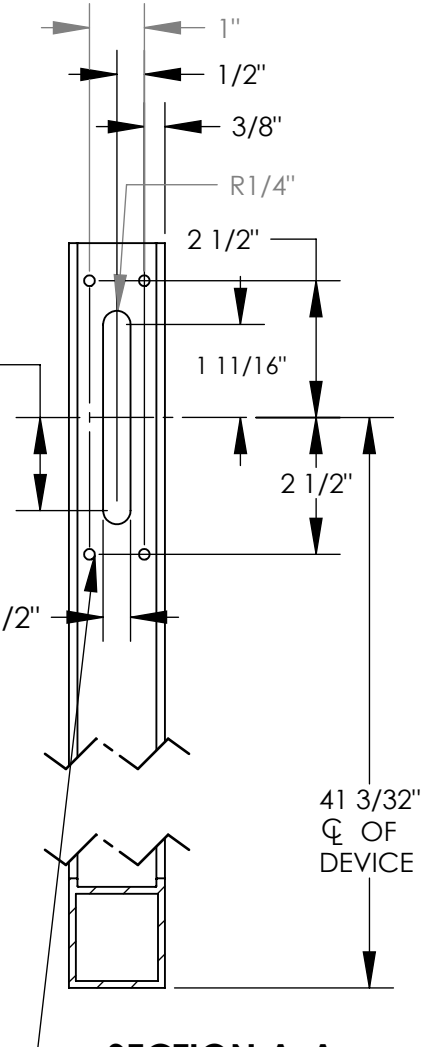
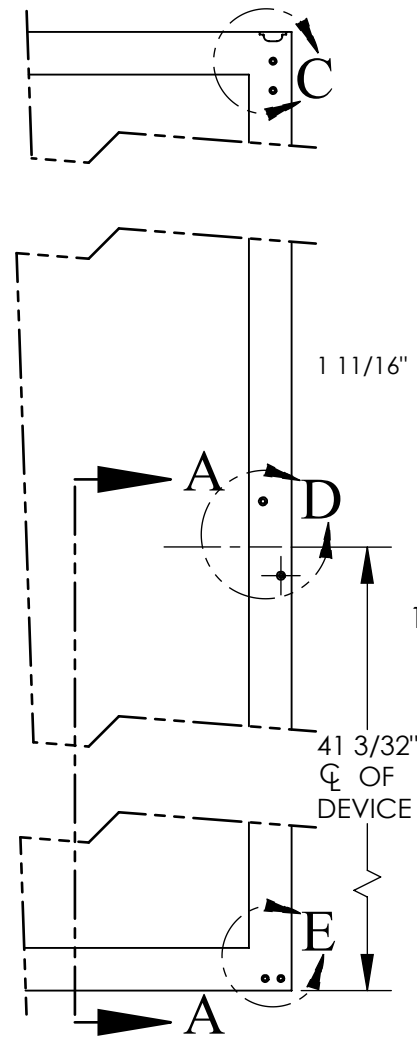
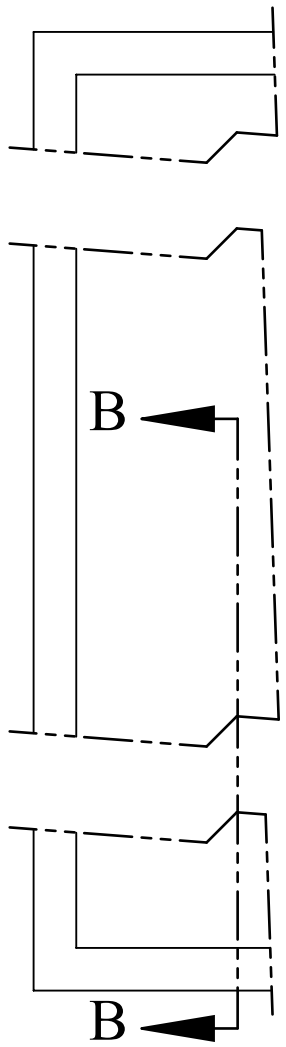


**SECTION B-B
SCALE 1 : 2**



**SECTION A-A
SCALE 1 : 2**

.196" DRILL
1/4-20 TAP
4 PLACES
EACH SIDE

