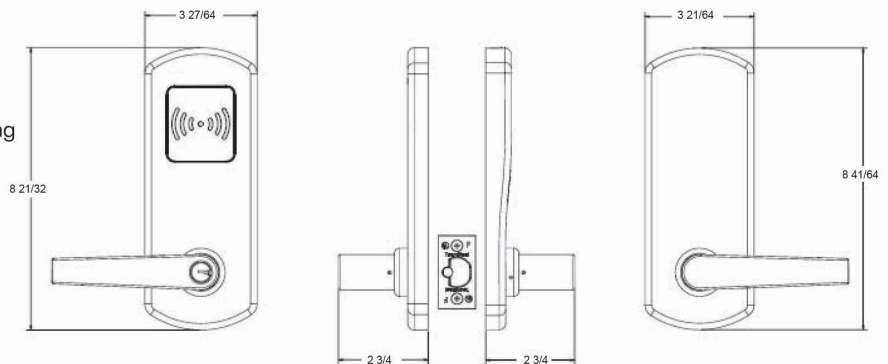


Overview

The FCE-2000 is a standalone electronic function lock that provides RFID (Radio-Frequency Identification) technology integrated with an ANSI Grade 1 heavy duty cylindrical lockset for greater security. RFID technology simplifies the management of the system and provides ease of use. Maximum keycard capacity includes 1 program keycard, 1 clear keycard, 1 register keycard, and 250 user and office keycards. The FCE 2000 is quick and easy to program.

Features

- Heavy duty standalone RFID cylindrical lock
- Easy programming of multiple locks
- Extended two years battery life, with low battery warning
- Easy firmware update
- Non-volatile memory (Setting is not deleted even if power off)
- Mechanical key override
- Encrypted keycard
- Mifare technology with NFC tag
- Tamper resistant mounting screws
- Vandal resistant RFID reader



Electronic Specifications

| | |
|---|---|
| Application | Full indoor and outdoor |
| Users | Up to 250 |
| Keycard verification time | Less than 0.5 second |
| Keycard maximum working distance | 3/4" |
| Communication | Multi-colored LED and Sound |
| Power supply | 4AA battery |
| Battery life | Up to 2yrs |
| Operating temperature | -31° to 151°F (-35° to 66°C) |
| Certifications | FCC Part 15, UL 10C, A156.2 |
| Keycard | 2 User and 1 Office keycards standard |
| Program Pack | One each Program, Clear and Register keycard standard |

Mechanical Specifications

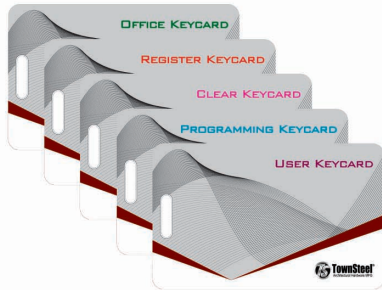
| | |
|-----------------------|--|
| Chassis | A156.2 certified grade 1 cylindrical |
| Handing | Non-handed |
| Door thickness | 1-3/4"-2" |
| Backset | 2-3/4" standard, 5" optional |
| Latch bolt | Self-adjustable, Stainless steel, 1/2" throw, dead-locking |
| Faceplate | Stainless steel, 1-1/8" X 2-1/4" |
| Escutcheon | Wrought steel or zinc alloy,, plated to match finish symbols |
| Levers | Cast zinc or stainless steel, plated to match finish symbols |



FCE-2000



Grade 1 Cylindrical Lockset with RFID Technology



- Lever Style** Sentinel(S), Quest(Q) and Gala(G)
- Clutching** Available
- Strike** ASA strike, 1-1/4" X 4-7/8", steel plated to match finish symbols
- Cylinder and keys** 6 pin brass, schlage "C" keyway standard, 2 brass keys per each cylinder
- SFIC** Small format IC available, 6 or 7 pin, Best "A" keyway available
- Schlage® LFIC** Schlage® Large format IC less core available
- Corbin® LFIC** Corbin® Large format IC less core available, for 6 pin core
- High Security Cylinder** Available, TownSteel "L" keyway, Regular 6 pin, SFIC 7 pin
- Finish** US26D and US10B stock finishes, other finishes upon request
- Warranty** 1 year limited for electronic, 10 year limited for mechanical, 5 year limited for finish

Code Compliance

- ANSI/BHMA A156.2: Chassis A156.2-2011 Grade 1 certified
- ANSI/BHMA A156.25: Meets or exceeds applicable requirements
- UL/ULC: UL10C 3-hour rated
- BAA: Meets guidelines of the Buy American Act
- ADA: Meets requirements of the Americans with Disabilities Act
- RoHS: Meets requirements of EU RoHS Directive 2002/95/EC
- FCC: FCC part 15 certified



How to order

| Series | Lever Style | Backset | Finish | Keying/Cylinder |
|--|------------------------------------|--------------|---|-----------------------|
| FCE-2010: Cylindrical, RFID, Rigid FCE-2020: Cylindrical, RFID, Clutched FCE-2030: Cylindrical, RFID, High Security Cylinder, Rigid FCE-2040: Cylindrical, RFID, High Security Cylinder, Clutched | S: Sentinel Q: Quest G: Gala | 2-3/4" 5" | US26D: Satin Chrome US10B: Powder Coat | Specify when ordering |

Example:

FCE - 2010 - S - 2-3/4 - US26D

FCE-2010: Mortise, Keypad, Rigid

S: Sentinel Lever

2-3/4" : 2-3/4 backset

US26D: Satin Chrome

Introduction

The FCE 4000 series is a grade 1 heavy duty standalone electronic lock with the security afforded by using the latest RFID technology. RFID technology simplifies the management of the lock system to make this an easy and effective method of control. Maximum keycard capacity is 250 office and user keycards along with 120 Remote Control Units (RCU) that are able to pair with each lock. Programming is practical, efficient and simple.

The lock system provides for Lockdown of the lock using the RCU that is programmed to pair with the lock. The RCU can be programmed for one or multiple locks and has a minimum effective range of 75 feet. The 75 foot distance is not affected by walls or barriers. With a simple press of the button on the RCU the lock will be locked down and a LED will flash indicating a lockdown is in progress. The RCU is normally controlled by a designated individual, usually a teacher, and they are responsible for lockdown in the event of an emergency.

The lock is always able to be opened from the inside to allow for exit or evacuation at any time. During lockdown an entry card may be used to gain access to the room if necessary. The RCU will not cancel lockdowns, a Lockdown Cancel Keycard is used to cancel the lockdown mode. The locking system is operated by batteries and not affected by external electrical power outages.

Overall the RFID lock system is a secure, safe, practical and simple method to ensure the safety of the occupants in the room, especially children.

Features

- Standalone RFID cylindrical lock with classroom lockdown feature
- Ideal for school safety programs
- Easy programming of multiple locks
- Extended two years battery life, with low battery warning
- Easy firmware upgrade
- Non-volatile memory (setting is not deleted even if power off)
- Mechanical key override
- Encrypted keycard, 8-bit Universal Identification (UID)
- Mifare technology with NFC tag
- Tamper resistant mounting screws
- Vandal Resistant RFID reader
- Heavy duty Grade 1 cylindrical lockset

Electronic Specifications

- Application: For classroom lockdown, full indoor and outdoor
- Capacity of User/Office keycards per Lock: 250
- Capacity of RCU per Lock: 120
- Credential verification time: Less than 0.5 second
- Keycard maximum read/write distance: ¾"
- RCU minimum working distance: 75 feet
- Communication: Multi-colored LED indicator and sound
- Power supply: 4AA battery
- Battery life: Up to 2 years
- Operating temperature: -31° to 151° F (-35° to 66°C)

FCE-4000

CYLINDRICAL WITH RFID TECHNOLOGY



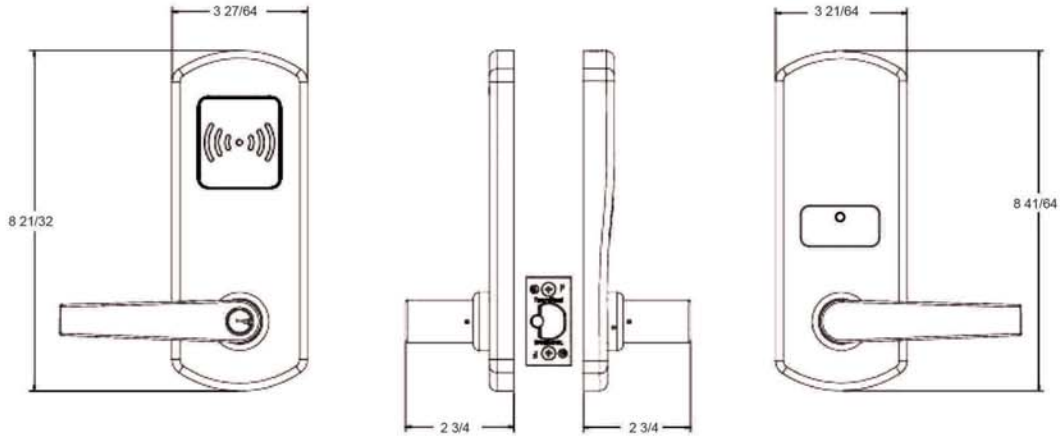
Mechanical Specifications

| | |
|-----------------------|--|
| Door Thickness | 1-3/4"-2" |
| Backset | 2-3/4" standard, 5" optional |
| Clutched trim | Available |
| Latch bolt | Stainless Steel, deadlocking, 1/2" throw |
| Faceplate | 1-1/8" x 2-1/4" |
| Strike | ASA Strike standard, 1-1/4" X 4-7/8" |
| Escutcheon | Steel or zinc alloy |
| Lever | Zinc or stainless steel |
| Lever Style | Sentinel (S), Quest (Q) and Gala(G) |
| Cylinder | - 6 pin Schlage® C Keyway, standard - Small Format IC with or without core available, 6 or 7 pin core, Best® "A" keyway - Schlage® Large Format IC less core available - Corbin® Large Format IC less core available, for 6 pin core - High Security Cylinder available, 6 pin, TownSteel "L" keyway - High Security SFIC Core available, 7 pin, TownSteel "L" keyway |
| Keying | KD standard, KA, MK, GMK, GGK and construction available |
| Finish | US26D and US10B stocked, other upon request |
| Warranty | 1-year limited for electronic, 5-year limited for finish, 10-year limited for mechanical |

Code Compliance

| | |
|--------------------------|---|
| ANSI/BHMA A156.2 | A156.2-2011 Grade 1 Certified |
| ANSI/BHMA A156.25 | Meets or exceeds all applicable requirements |
| UL/ULC | UL 10C 3-hour rated |
| BAA | Meets guidelines of the Buy American Act |
| ADA | Meets requirements of the Americans with Disabilities Act |
| RoHS | Meets requirements of EU RoHS Directive 2002/95/EC |
| FCC | FCC part 15 certified |

Profile



How to order

FCE - - - -

Series:

- FCE-4010 Rigid
- FCE-4020 Clutched
- FCE-4030 Rigid, High Security
- FCE-4040 Clutched, High Security

Lever Style:

- S Sentinel
- Q Quest
- G Gala

Backset

- 2-3/4"
- 5"

Finishes:

- US26D Satin Chrome
- US10B Powder Coat

Keying

Specify when ordering