

FALCON

*Falcon
Monarch
Dor-O-Matic*

Monarch 17 Series Parts Manual

Touch Bar Exit Device

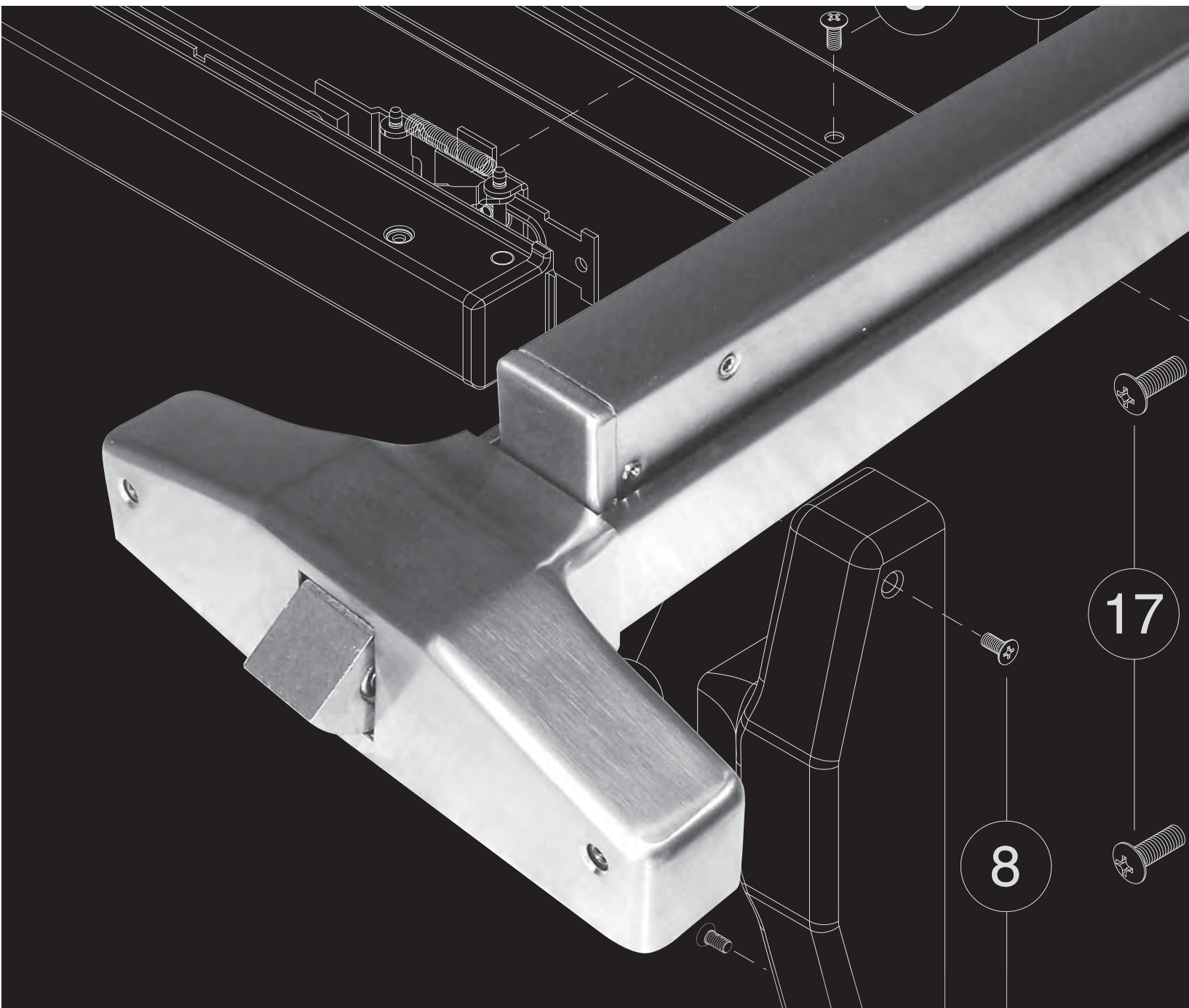


Table of Contents

17 Rim Exit Device - Panic.....4-5
F-17 Rim Exit Device - Fire..... 6-7
17-V Surface Vertical Rod Exit Device - Panic and Fire..... 8-9
17-V Surface Vertical Rods & Latches - Panic and Fire..... 10-11
17-C Concealed Vertical Rod Exit Device - Panic and Fire..... 12-13
17-C Concealed Vertical Rods & Latches - Panic and Fire..... 14-15
17-C Concealed Vertical Top Latches and Plates - Wood and Metal Door, Panic and Fire.....16-17
17 Series Optional Equipment.....18

Introduction

This manual contains a listing of replaceable parts and assemblies for the 17 series exit device.

How to Order

Some parts are sold separately. Other parts are available as part of a kit or multiple quantity package. For the best possible service when ordering replacement parts or assemblies, please provide the following information:

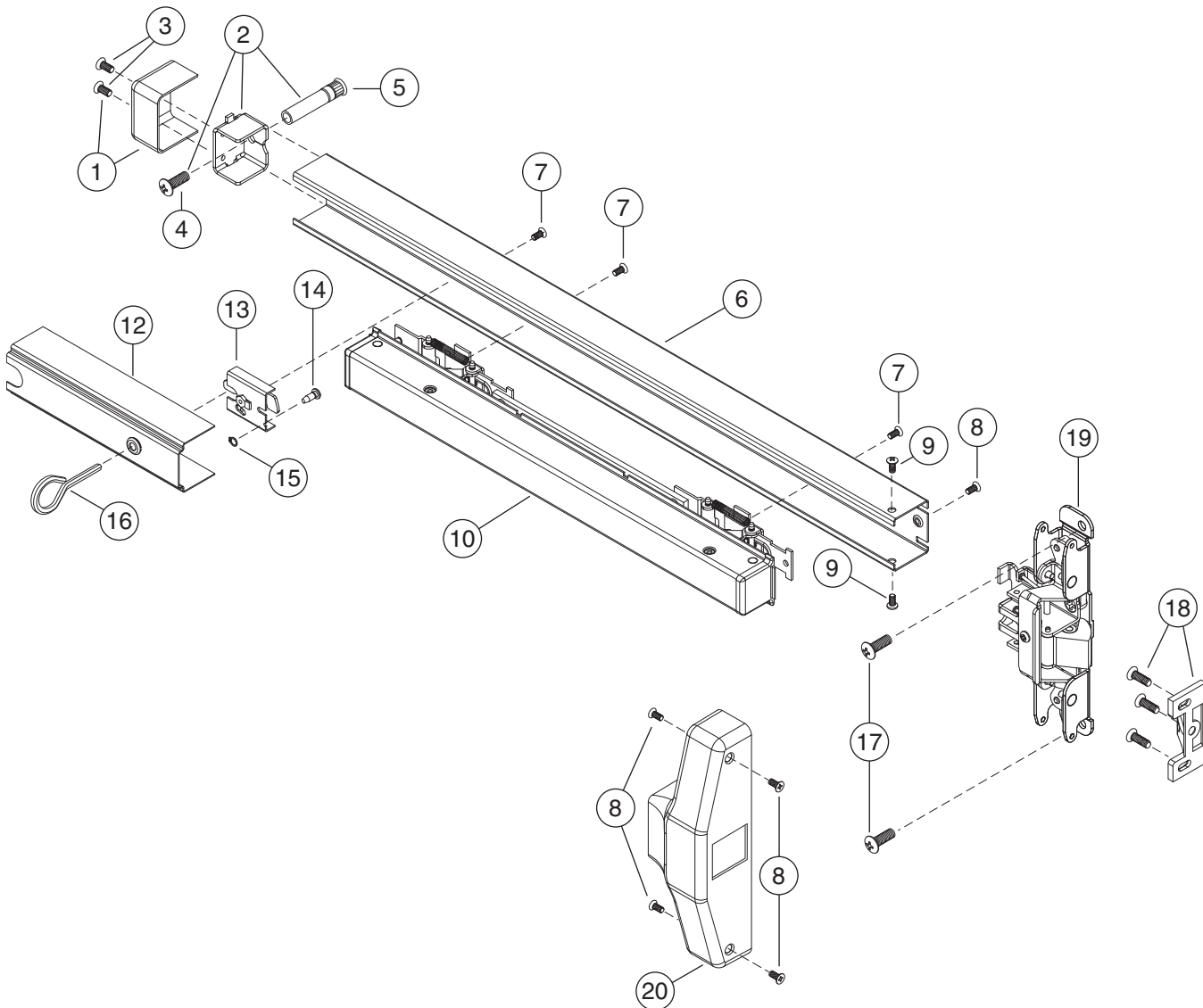
- Part number or assembly number
- Description
- Quantity needed
- Finish desired (if available finish)

Part Number Changes

This manual reflects the product as sold in November 2007. Because of changes to the product and/or manufacturing processes, part numbers can change.

17 Rim Exit Device

Panic



17 Rim Exit Device

Panic

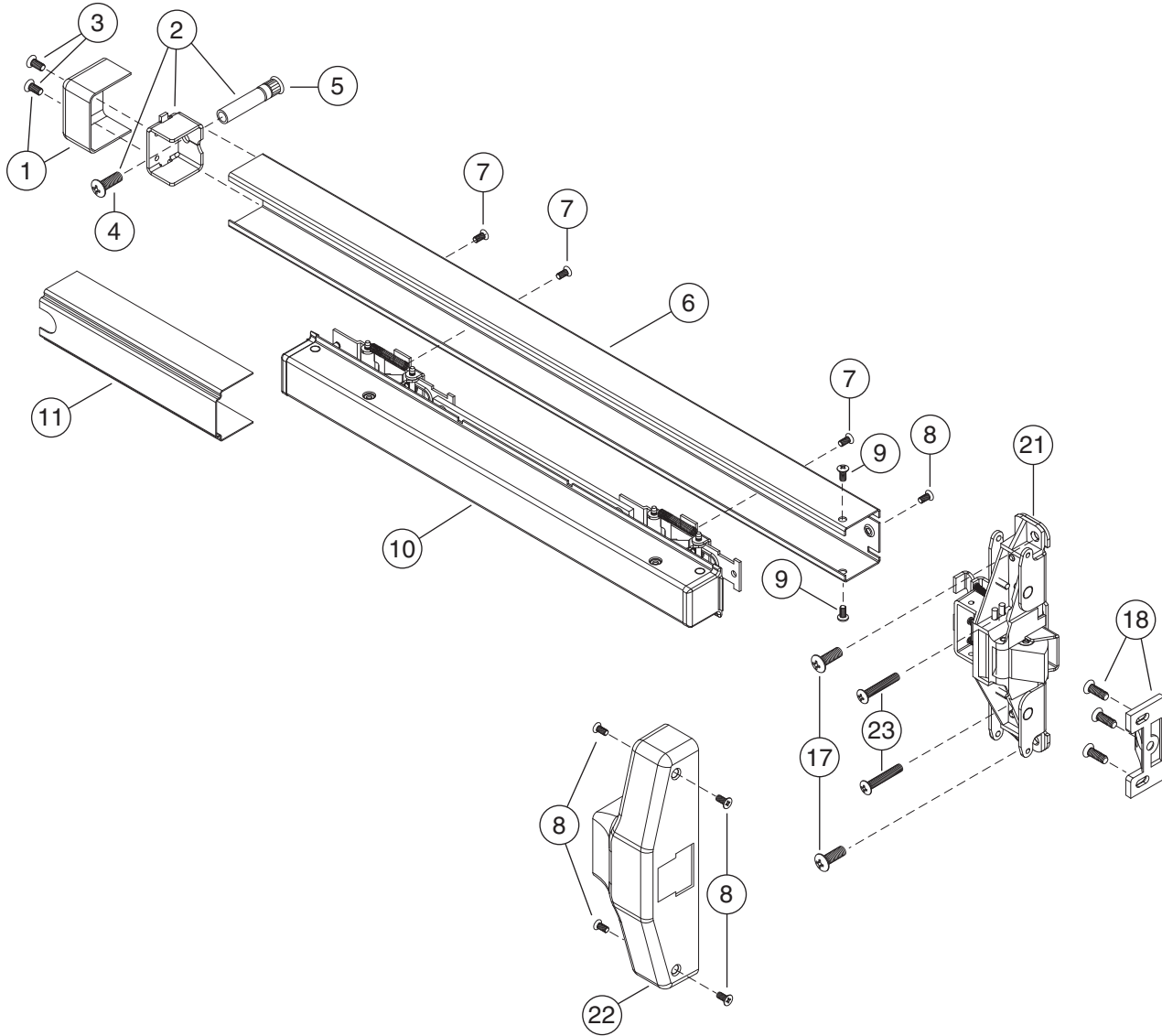
Item No.	Qty.	Part No.	Description	Notes
1	1	600148	Channel End Cap Pkg	A
2	1	600108	End Cap Mounting Bracket with SNB	
3	2	660085	#10-24 x 3/8" PPHMS with Nylon Patch	A
4	1	660047	1/4"-20 x 3/4" TPHMS Screw	
5	1	4122	1/4"-20 Sex Bolt	A
6	1	6195	Channel 2' Door	A
6	1	6196	Channel 2'5" Door	A
6	1	4107	Channel 3' Door	A
6	1	4108	Channel 4' Door	A
7	3	600184	#8-32 x 3/8" UFPHMS with Nylon Patch	A
8	5	600140	#8-32 x 1/4" UFPHMS (Pkg of 4)	A
9	2	660120	#8-32 x 1/4" PPHMS	
10	1	610277	Touch Bar Sub Assembly 2' Door (9")	A
10	1	610278	Touch Bar Sub Assembly 2'5" Door (14")	A
10	1	180	Touch Bar Sub Assembly 3' Door (20")	A
10	1	181	Touch Bar Sub Assembly 4' Door (26")	A
12	1	610279	Dogging Cover Sub Assembly 2' & 2'5" Door	A
12	1	185	Dogging Cover Sub Assembly 3' Door	A
12	1	184	Dogging Cover Sub Assembly 4' Door	A
13	1	193	Dogging Sub Assembly	
14	1	4086	Dogging Pin Shaft	
15	1	660443	Retaining Ring	
16	1	2789	7/32" Hex Key	
17	2	660046	1/4"-20 x 3/4" PPHMS	
17	2	660011	#14 x 1" PPHSMS	
18	1	630015	Roller Strike for Panic and Fire - Standard	
19	1	785	17 Panic Center Case Assembly	
19	1	F785	17-DL Panic Center Case Assembly	
20	1	4387	17 Panic Center Case Cover	A
*	1	600118	(F)17-R Mounting Pkg	

* Item(s) not shown.

A. Specify by finish: US-3, US-4, US-10, US-10B, US-26, US-26D, US-32, US-32D.

F-17 Rim Exit Device

Fire



F-17 Rim Exit Device

Fire

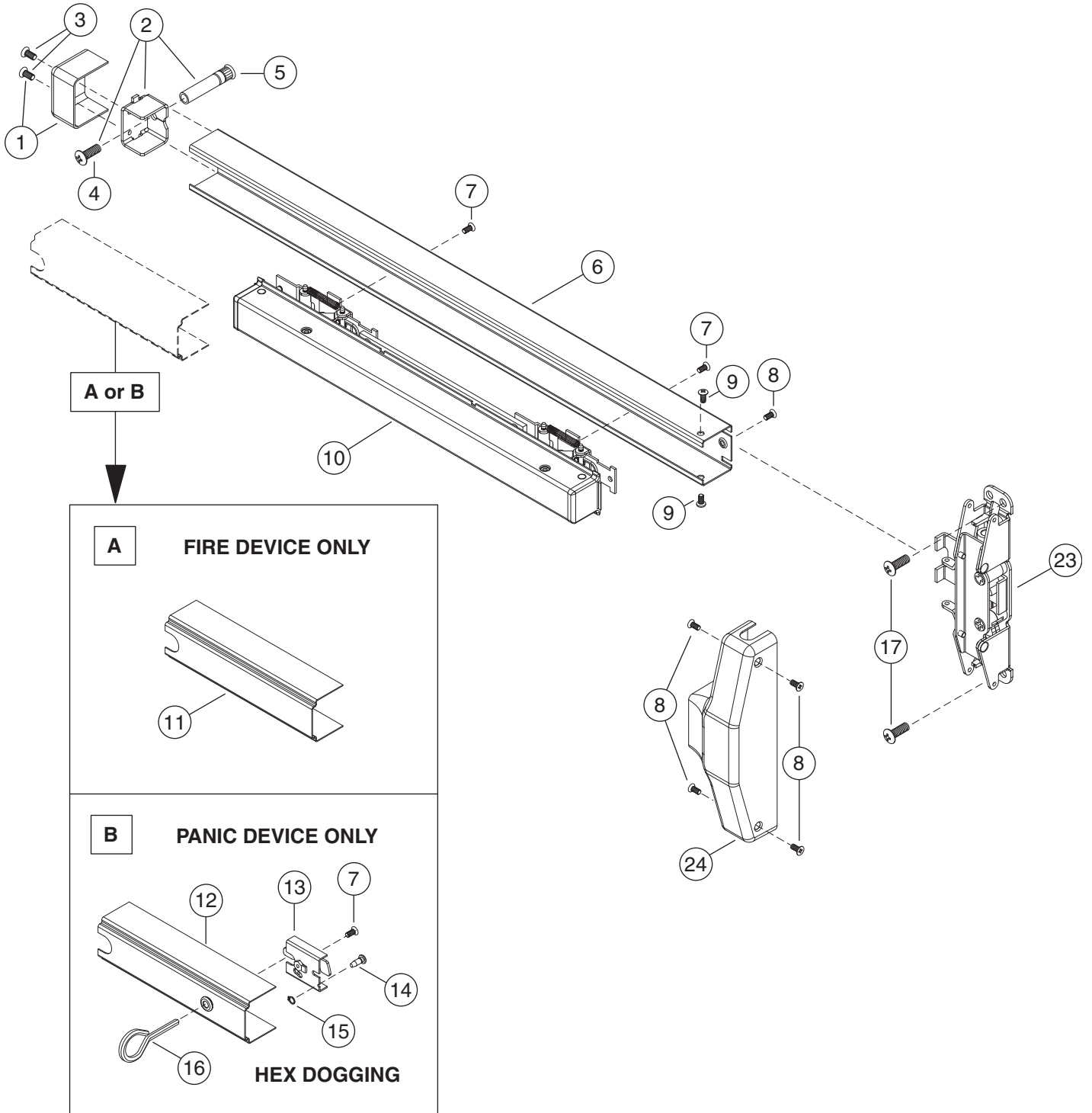
Item No.	Qty.	Part No.	Description	Notes
1	1	600148	Channel End Cap Pkg	A
2	1	600108	End Cap Mounting Bracket with SNB	
3	2	660085	#10-24 x 3/8" PPHMS with Nylon Patch	A
4	1	660047	1/4"-20 x 3/4" TPHMS Screw	
5	1	4122	1/4"-20 Sex Bolt	A
6	1	6195	Channel 2' Door	A
6	1	6196	Channel 2'5" Door	A
6	1	4107	Channel 3' Door	A
6	1	4108	Channel 4' Door	A
7	3	600184	#8-32 x 3/8" UFPHMS with Nylon Patch	A
8	5	600140	#8-32 x 1/4" UFPHMS (Pkg of 4)	A
9	2	660120	#8-32 x 1/4" PPHMS	
10	1	610277	Touch Bar Sub Assembly 2' Door (9")	A
10	1	610278	Touch Bar Sub Assembly 2'5" Door (14")	A
10	1	180	Touch Bar Sub Assembly 3' Door (20")	A
10	1	181	Touch Bar Sub Assembly 4' Door (26")	A
11	1	6184	Channel Cover 3' Door (Fire Device Only)	A
11	1	6185	Channel Cover 2', 2'5", and 4' Door (Fire Device Only)	A
17	2	660004	1/4"-20 x 3/4" PPHMS	
18	1	630015	Roller Strike for Panic and Fire - Standard	
21	1	F785	17 Fire Center Case Assembly	
22	1	4388	17 Fire Center Case Cover	A
23	2	660062	10-24 x 1-1/2" PPHMS	
*	1	600118	(F)17-R Mounting Pkg	

* Item(s) not shown.

A. Specify by finish: US-3, US-4, US-10, US-10B, US-26, US-26D, US-32, US-32D.

17-V & F-17-V Surface Vertical Rod Exit Device

Panic and Fire



17-V & F-17-V Surface Vertical Rod Exit Device

Panic and Fire

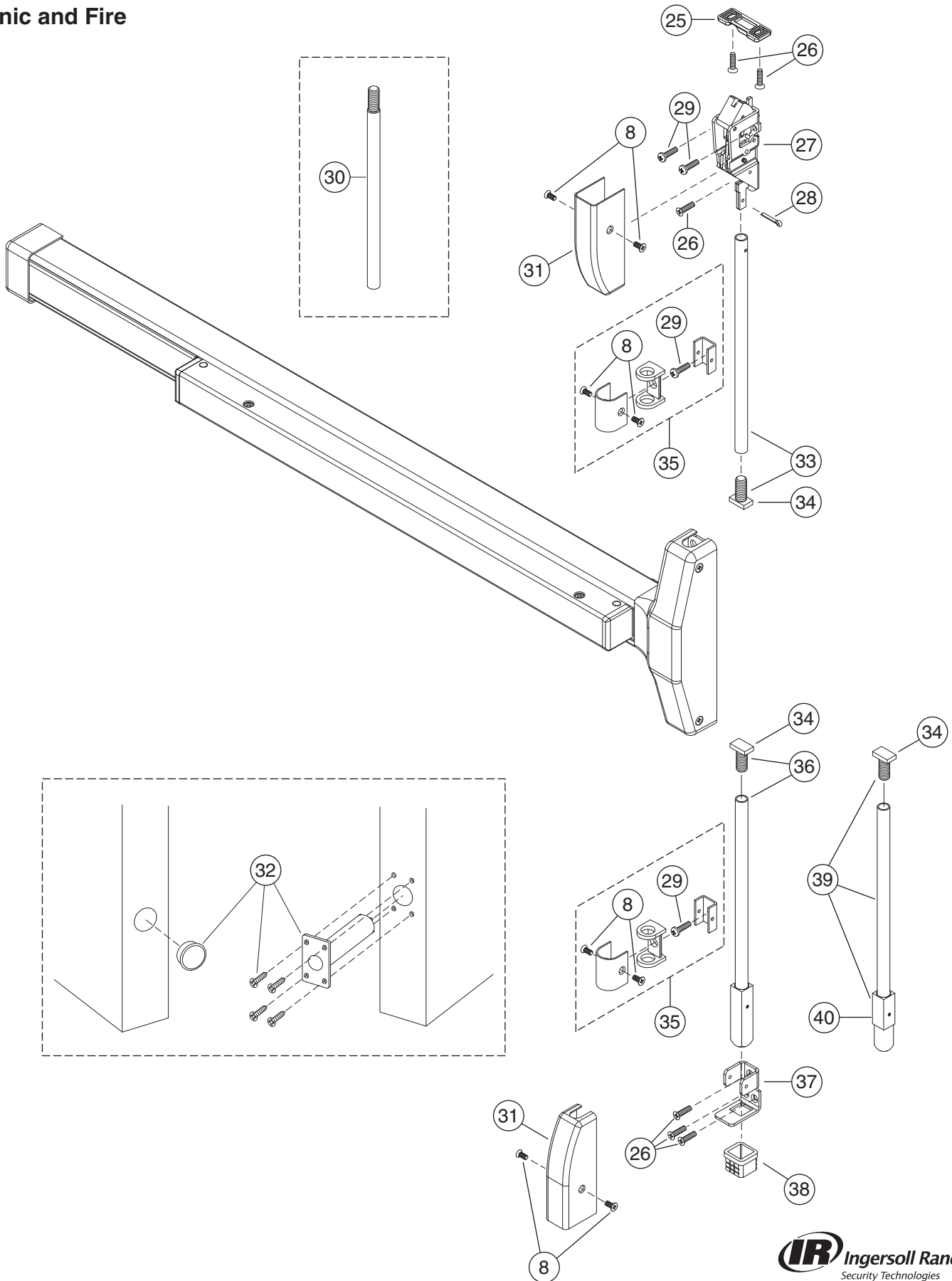
Item No.	Qty.	Part No.	Description	Notes
1	1	600148	Channel End Cap Pkg	A
2	1	600108	End Cap Mounting Bracket with SNB	
3	2	660085	#10-24 x 3/8" PPHMS with Nylon Patch	A
4	1	660047	1/4"-20 x 3/4" TPHMS Screw	
5	1	4122	1/4"-20 Sex Bolt	A
6	1	6195	Channel 2' Door	A
6	1	6196	Channel 2'5" Door	A
6	1	4107	Channel 3' Door	A
6	1	4108	Channel 4' Door	A
7	3	600184	#8-32 x 3/8" UFPHMS with Nylon Patch	A
8	5	600140	#8-32 x 1/4" UFPHMS (Pkg of 4)	A
9	2	660120	#8-32 x 1/4" PPHMS	
10	1	610277	Touch Bar Sub Assembly 2' Door (9")	A
10	1	610278	Touch Bar Sub Assembly 2'5" Door (14")	A
10	1	180	Touch Bar Sub Assembly 3' Door (20")	A
10	1	181	Touch Bar Sub Assembly 4' Door (26")	A
11	1	6184	Channel Cover 3' Door (Fire Device Only)	A
11	1	6185	Channel Cover 2', 2'5", and 4' Door (Fire Device Only)	A
12	1	610279	Dogging Cover Sub Assembly 2' & 2'5" Door	A
12	1	185	Dogging Cover Sub Assembly 3' Door (Panic Device Only)	A
12	1	184	Dogging Cover Sub Assembly 4' Door (Panic Device Only)	A
13	1	193	Dogging Sub Assembly (Panic Device Only)	
14	1	4086	Dogging Pin Shaft	
15	1	660443	Retaining Ring	
16	1	2789	7/32" Hex Key	
17	4	660046	1/4"-20 x 3/4" PPHMS	
23	1	787	17 Surface Vertical Center Case Assembly	
24	1	4386	17 Surface Vertical Center Case Cover	A
*	1	600119	17-V Mounting Pkg	
*	1	600120	F-17-V Mounting Pkg	

* Item(s) not shown.

A. Specify by finish: US-3, US-4, US-10, US-10B, US-26, US-26D, US-32, US-32D.

17-V & F-17-V Surface Vertical Rods & Latches

Panic and Fire



17-V & F-17-V Surface Vertical Rods & Latches

Panic and Fire

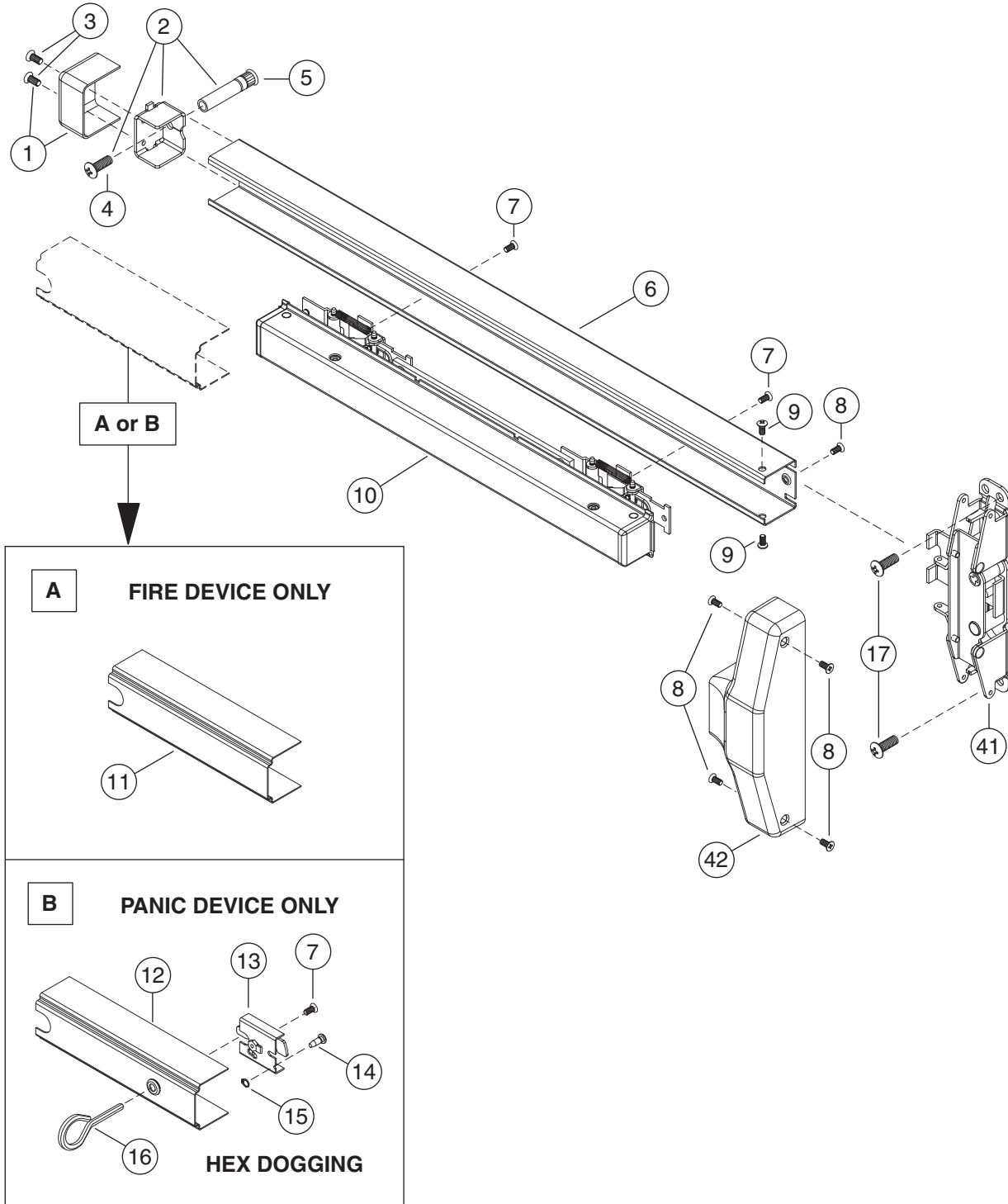
Item No.	Qty.	Part No.	Description	Notes
25	1	630010	3788 Strike - Surface Vertical Rod Panic and Fire Devices - Standard	
26	5	660002	#10 x 1-1/4" FPHSMS	
26	5	660078	#10-24 x 3/4" FPHMS (Fire)	
27	1	588	Surface Vertical Top Latch Case Sub Assembly - Panic	
27	1	F588	Surface Vertical Top Latch Case Sub Assembly - Fire	
28	1	661102	1/8" x 3/4" Cotter Key	
29	4	660004	#10 x 1-1/4" PPHSMS	
29	4	660081	#10-24 x 3/4" PPHMS (Fire)	
30	1	650006	Vertical Extension Rod 12"	A
30	1	650007	Vertical Extension Rod 24"	A
30	1	650008	Vertical Extension Rod 36"	A
31	2	3781	Latch Case Cover	A
32	1	5494	Auxiliary Fire Latch (Fire - Less Bottom Rod Only)	
33	1	4450	Surface Vertical Top Rod Sub Assembly	
34	2	4400	Surface Vertical Rod Adjustment Screw	
35	2	590	Rod Guide and Support	A
36	1	610056	Surface Vertical Bottom Bolt and Rod Assembly	
37	1	610069	Surface Vertical Bottom Guide Assembly	A
38	1	630013	2130 Strike - Surface and Concealed for Panic or Fire - Standard	
39	1	610225	17-V Round Bottom Bolt Rod Assembly	A
40	1	610227	17-V Round Bottom Bolt	
*	1	600119	17-V Mounting Package	
*	1	600120	F-17-V Mounting Package	

* Item(s) not shown.

A. Specify by finish: US-3, US-4, US-10, US-10B, US-26, US-26D, US-32, US-32D.

17-C & F-17-C Concealed Vertical Rod Exit Device

Panic and Fire



17-C & F-17-C Concealed Vertical Rod Exit Device

Panic and Fire

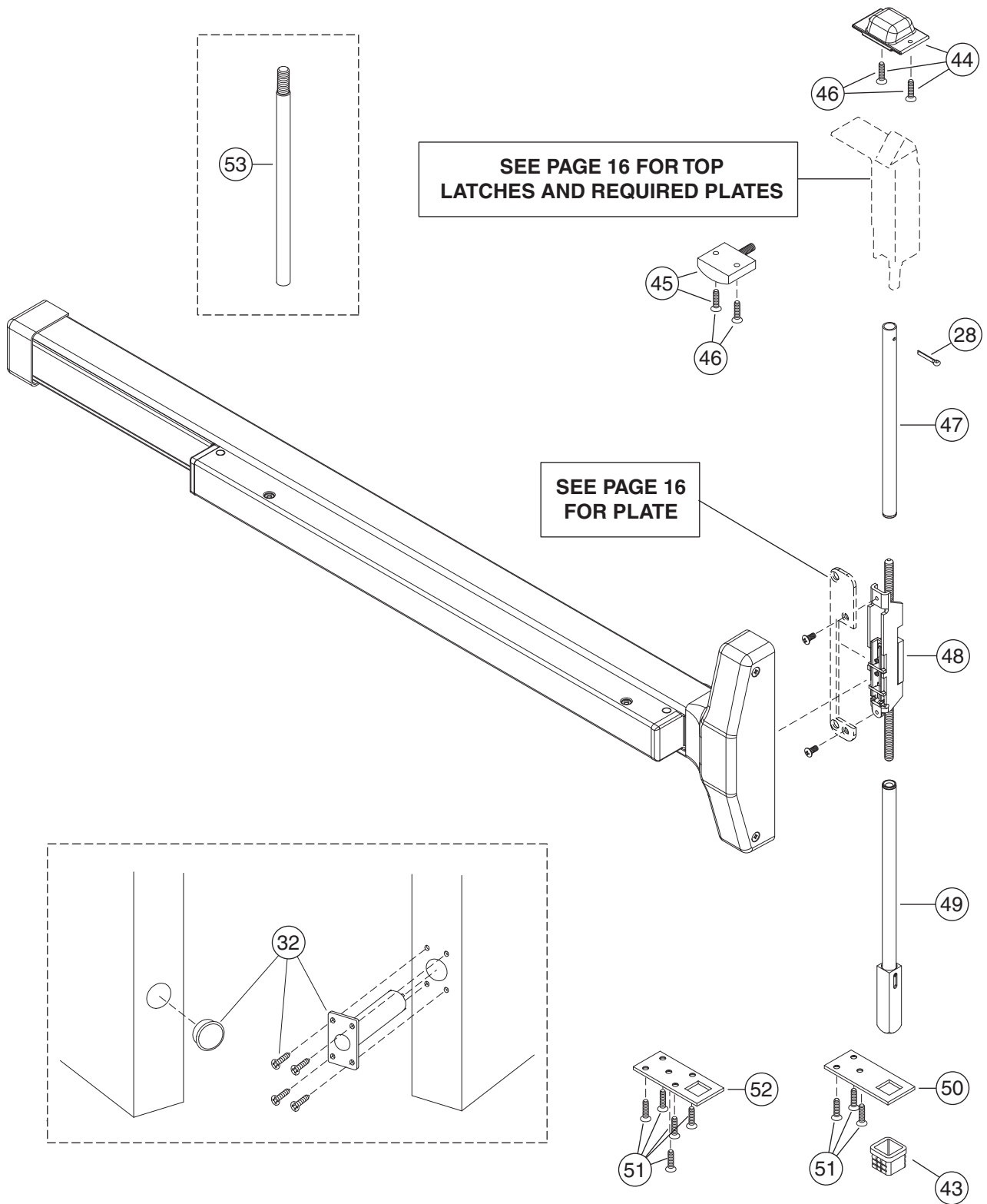
Item No.	Qty.	Part No.	Description	Notes
1	1	600148	Channel End Cap Pkg	A
2	1	600108	End Cap Mounting Bracket with SNB	
3	2	660085	#10-24 x 3/8" PPHMS with Nylon Patch	A
4	1	660047	1/4"-20 x 3/4" TPHMS Screw	
5	1	4122	1/4"-20 Sex Bolt	A
6	1	6195	Channel 2' Door	A
6	1	6196	Channel 2'5" Door	A
6	1	4107	Channel 3' Door	A
6	1	4108	Channel 4' Door	A
7	3	600184	#8-32 x 3/8" UFPHMS with Nylon Patch	A
8	5	600140	#8-32 x 1/4" UFPHMS (Pkg of 4)	A
9	2	660120	#8-32 x 1/4" PPHMS	
10	1	610277	Touch Bar Sub Assembly 2' Door (9")	A
10	1	610278	Touch Bar Sub Assembly 2'5" Door (14")	A
10	1	180	Touch Bar Sub Assembly 3' Door (20")	A
10	1	181	Touch Bar Sub Assembly 4' Door (26")	A
11	1	6184	Channel Cover 3' Door (Fire Device Only)	A
11	1	6185	Channel Cover 2', 2'5", and 4' Door (Fire Device Only)	A
12	1	610279	Dogging Cover Sub Assembly 2' & 2'5" Door	A
12	1	185	Dogging Cover Sub Assembly 3' Door (Panic Device Only)	A
12	1	184	Dogging Cover Sub Assembly 4' Door (Panic Device Only)	A
13	1	193	Dogging Sub Assembly (Panic Device Only)	
14	1	4086	Dogging Pin Shaft	
15	1	660443	Retaining Ring	
16	1	2789	7/32" Hex Key	
17	4	660046	1/4"-20 x 3/4" PPHMS	
41	1	789	17 Concealed Vertical Center Case Assembly	
42	1	4343	17 Concealed Vertical Center Case Cover	A
*	1	600105	17-C Device Mounting Package	
*	1	600104	F-17-C Device Mounting Package	
*	1	600121	17-WDC Device Mounting Package	A
*	1	600137	F-17-WDC (20 Minute) Device Mounting Package	A
*	1	600122	F-17-WDC (90 Minute) Device Mounting Package	

* Item(s) not shown.

A. Specify by finish: US-3, US-4, US-10, US-10B, US-26, US-26D, US-32, US-32D.

17-C & F-17-C Concealed Vertical Rods and Latches

Panic and Fire



17-C & F-17-C Concealed Vertical Rods and Latches

Panic and Fire

Item No.	Qty.	Part No.	Description	Notes
28	1	661102	1/8" x 3/4" Cotter Key	
32	1	5494	Auxiliary Fire Latch (Fire - Less Bottom Rod Only)	
43	1	630013	2130 Strike - Surface and Concealed for Panic or Fire - Standard	
44	1	630012	4188 Strike - Concealed Vertical Rod Panic and Fire Devices - Standard	
45	1	600144	Top Latch Release Sub Assembly	A
46	2	660078	#10-24 x 3/4" FPHMS	A
47	1	610061	Top Rod Sub Assembly	
48	1	610043	Center Slide Sub Assembly	
49	1	610057	Bottom Rod Sub Assembly	
50	1	4567	Bottom Bolt Guide	
51	8	660002	#10 x 1-1/4" FPHSMS (Panic or Wood)	A
51	9	660078	#10-24 x 3/4" FPHMS (Fire)	A
52	1	4835	Bottom Bolt Guide - WDC	
53	1	650017	Concealed Vertical Extension Rod 12"	
53	1	650018	Concealed Vertical Extension Rod 24"	
53	1	650019	Concealed Vertical Extension Rod 36"	
*	1	600105	17-C Device Mounting Package	
*	1	600104	F-17-C Device Mounting Package	
*	1	600121	17-WDC Device Mounting Package	A
*	1	600137	F-17-WDC (20 Minute) Device Mounting Package	A
*	1	600122	F-17-WDC (90 Minute) Device Mounting Package	

* Item(s) not shown.

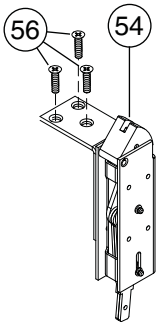
A. Specify by finish: US-3, US-4, US-10, US-10B, US-26, US-26D, US-32, US-32D.

17-C & F-17-C Concealed Vertical Top Latches and Plates

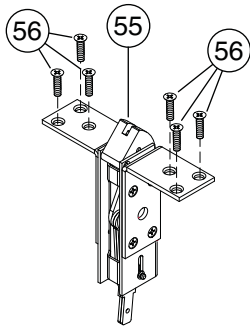
Wood and Metal Door, Panic and Fire

Metal Door

PANIC DEVICE

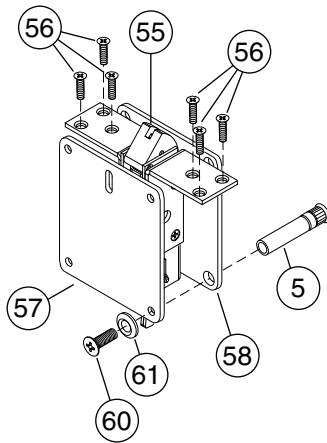


FIRE DEVICE

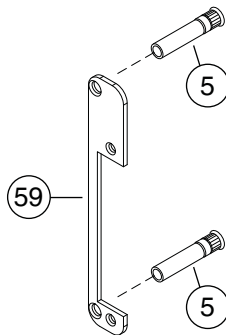
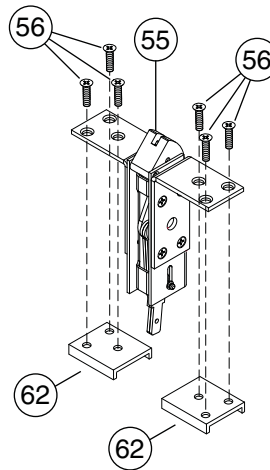


Wood Door

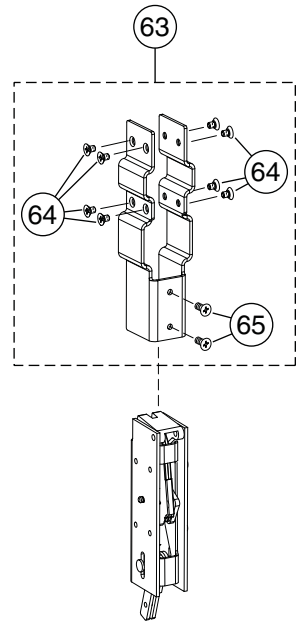
PANIC DEVICE & 20 MINUTE FIRE DEVICE



90 MINUTE FIRE DEVICE



Aluminum Door



17-C & F-17-C Concealed Vertical Top Latches and Plates

Wood and Metal Door, Panic and Fire

Item No.	Qty.	Part No.	Description	Notes
5	6	4122	1/4"-20 Sex Bolt	A
54	1	603	Concealed Top Latch Case Sub Assembly (Panic)	
55	1	F603	Concealed Top Latch Case Sub Assembly (Fire)	
56	6	660078	#10-24 x 3/4" FPHMS	
57	1	4834	Top Reinforcement Plate with Access Hole	A
58	1	4833	Top Reinforcement Plate	A
59	1	4832	Center Slide Reinforcement Plate	
60	4	660044	1/4"-20 x 3/4" FPHMS	A
61	4	600185	1/4" CSK Finish Washer	A
62	2	4694	Latch Bracket	
63	1	600174	Aluminum Door Bracket Package	
64	8	660121	#8-32 x 1/4" PPHMS with Nylon Patch	
65	2	660066	#10-24 x 1/2" FPHMS	

A. Specify by finish: US-3, US-4, US-10, US-10B, US-26, US-26D, US-32, US-32D.

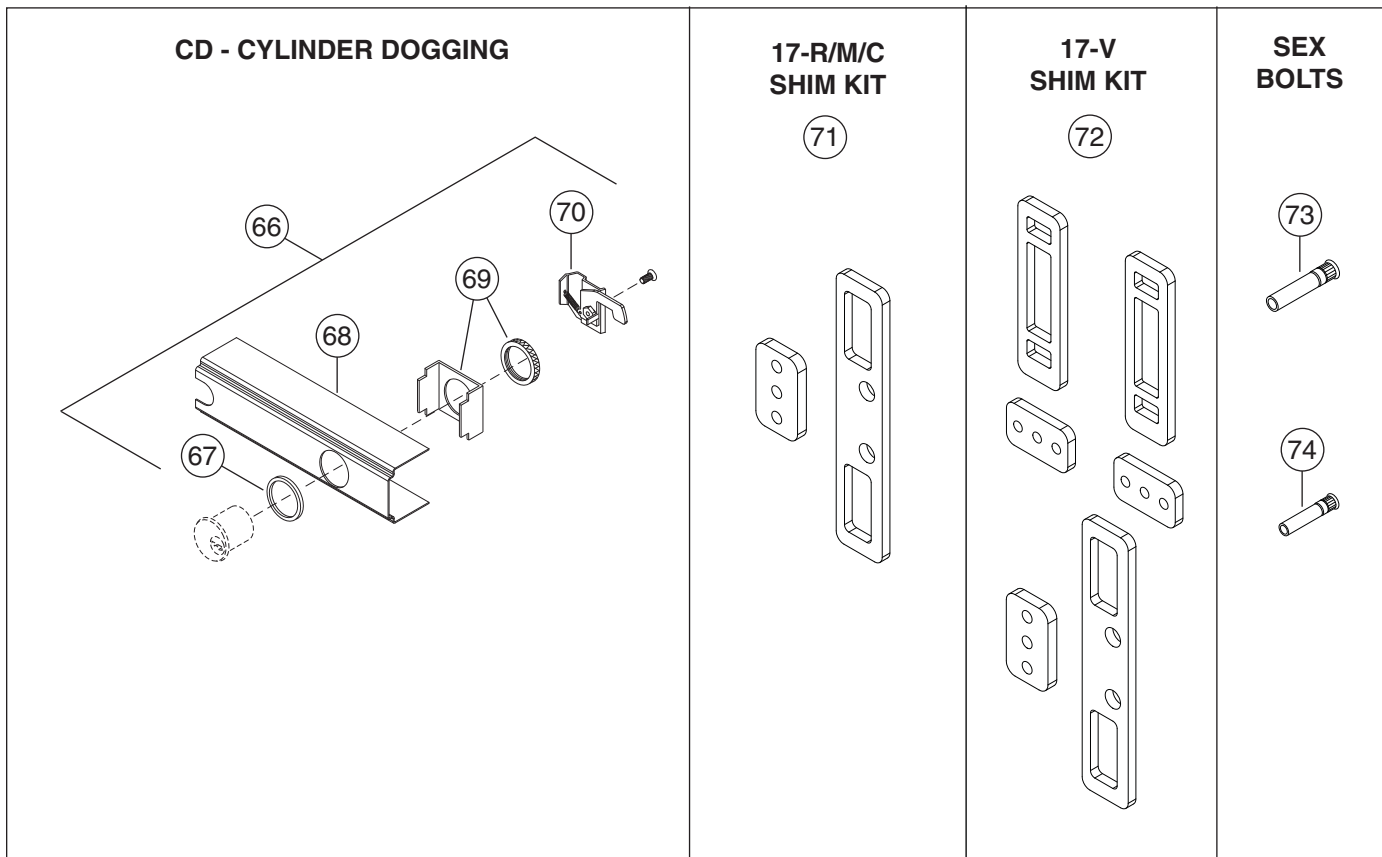
17 Series Optional Equipment

Item No.	Qty.	Part No.	Description	Notes
66	1	650058	17 CD Kit 3' (items 63-66)	A
66	1	650061	17 CD Kit 4' (items 63-66)	A
67	1	3917	CD Cylinder Collar	A
68	1	6188	17 CD Cover Plate 3'	A
68	1	6189	17 CD Cover Plate 4'	A
69	1	600146	CD Cylinder Retaining Bracket Package	
70	1	610106	CD Dogging Sub Assembly	
71	1	650024	17-R/M/C 1/4" Shim Kit	
72	1	650025	17-V 1/4" Shim Kit	
73	1	4122	1/4"-20 Sex Bolt**	A
74	1	2729	#10-24 Sex Bolt***	A

** Sold individually, for center case (2), reinforcing plate (2), or WDC latch (4)

***Sold individually, for surface vertical latches (3)

A. Specify by finish: US-3, US-4, US-10, US-10B, US-26, US-26D, US-32, US-32D.





Ingersoll Rand's Security Technologies Sector is a leading global provider of products and services that make environments safe, secure and productive. The Sector's market-leading products include electronic and biometric access control systems; time and attendance and personnel scheduling systems; mechanical locks and portable security, door closers and exit devices, steel doors and frames, architectural hardware and technologies and services for global security markets.

800.266.4456 Locks
800.826.5792 Exit Devices
800.815.1517 Closers

www.falcon.ingersollrand.com www.ingersollrand.com