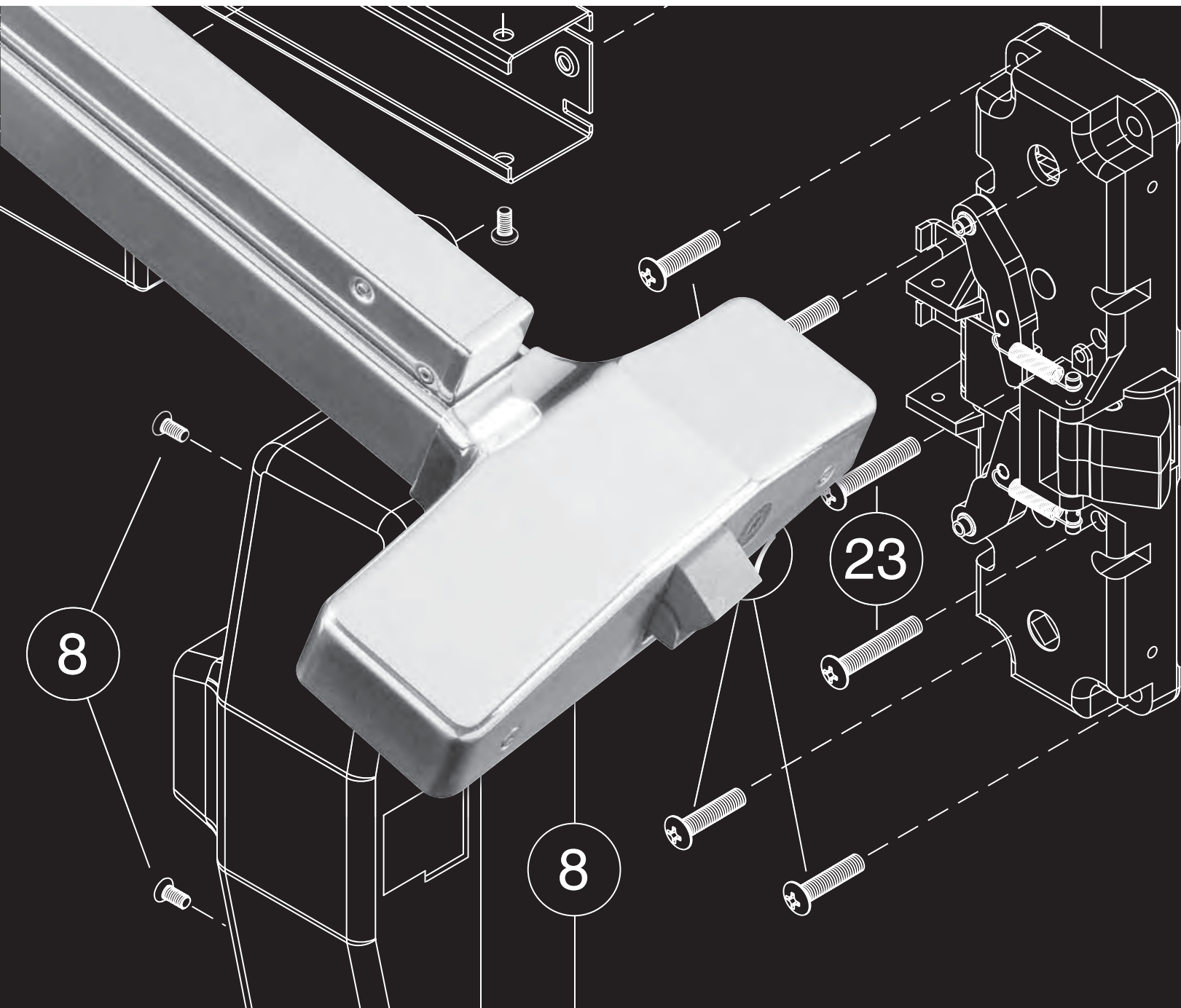


# FALCON

Falcon  
Monarch  
Dor-O-Matic

## Monarch 18 Series Parts Manual

Touch Bar Exit Device





## Table of Contents

18 Rim Exit Device - Panic.....	4-5
F-18 Rim Exit Device - Fire.....	6-7
(F)18 Rim Center Case - Panic and Fire.....	8-9
(F)18-V Surface Vertical Rod Exit Device - Panic and Fire.....	10-11
(F)18-V Surface Vertical Rods a& Latches - Panic and Fire.....	12-13
(F)18-V Surface Vertical Center Case - Panic and Fire.....	14-15
(F)18-C Concealed Vertical Rod Exit Device - Panic and Fire.....	16-17
(F)18-C Concealed Vertical Rods & Latches - Panic and Fire.....	18-19
(F)18-C Concealed Vertical Top Latches and Plates - Wood and Metal Door, Panic and Fire.....	20
(F)18-C Concealed Vertical Center Case - Panic and Fire.....	21
(F)18-M Mortise Exit Device - Panic and Fire.....	22-23
(F)18-M Mortise Lock - Panic and Fire.....	24-25
(F)18-M Mortise Center Case - Panic and Fire.....	26-27
(F)18-TPL Three Point Latch Exit Device - Panic and Fire.....	28-29
(F)18-TPL Three Point Latch Rods & Latches - Panic and Fire.....	30-31
(F)18 Three Point Latch Center Case - Panic and Fire.....	32
18 Series Optional Equipment.....	33

## Introduction

This manual contains a listing of replaceable parts and assemblies for the 18 series exit device.

## How to Order

Some parts are sold separately. Other parts are available as part of a kit or multiple quantity package. For the best possible service when ordering replacement parts or assemblies, please provide the following information:

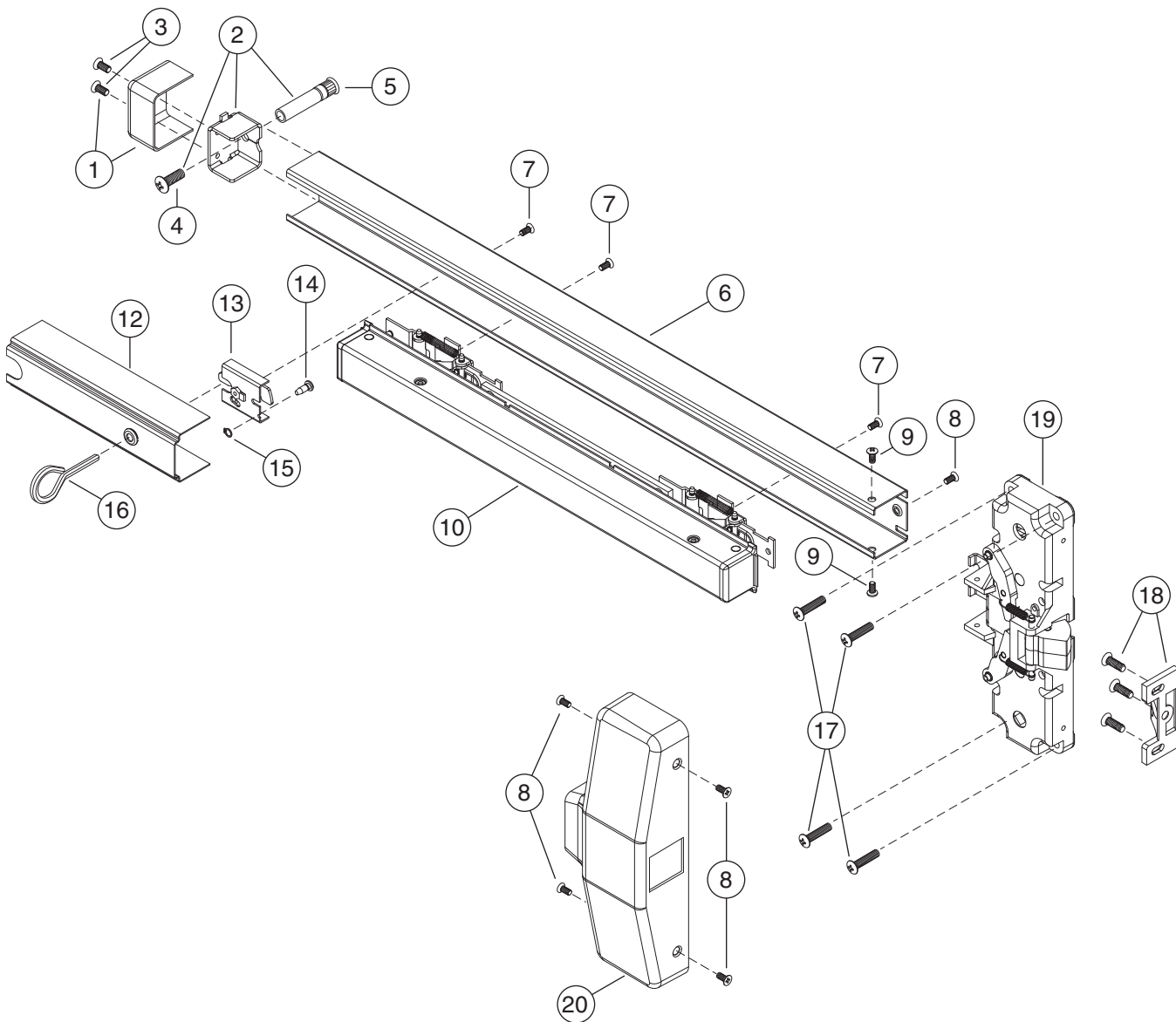
- Part number or assembly number
- Description
- Quantity needed
- Finish desired (if available finish)

## Part Number Changes

This manual reflects the product as sold in November 2007. Because of changes to the product and/or manufacturing processes, part numbers can change.

# 18 Rim Exit Device

Panic



### 18 Rim Exit Device

#### Panic

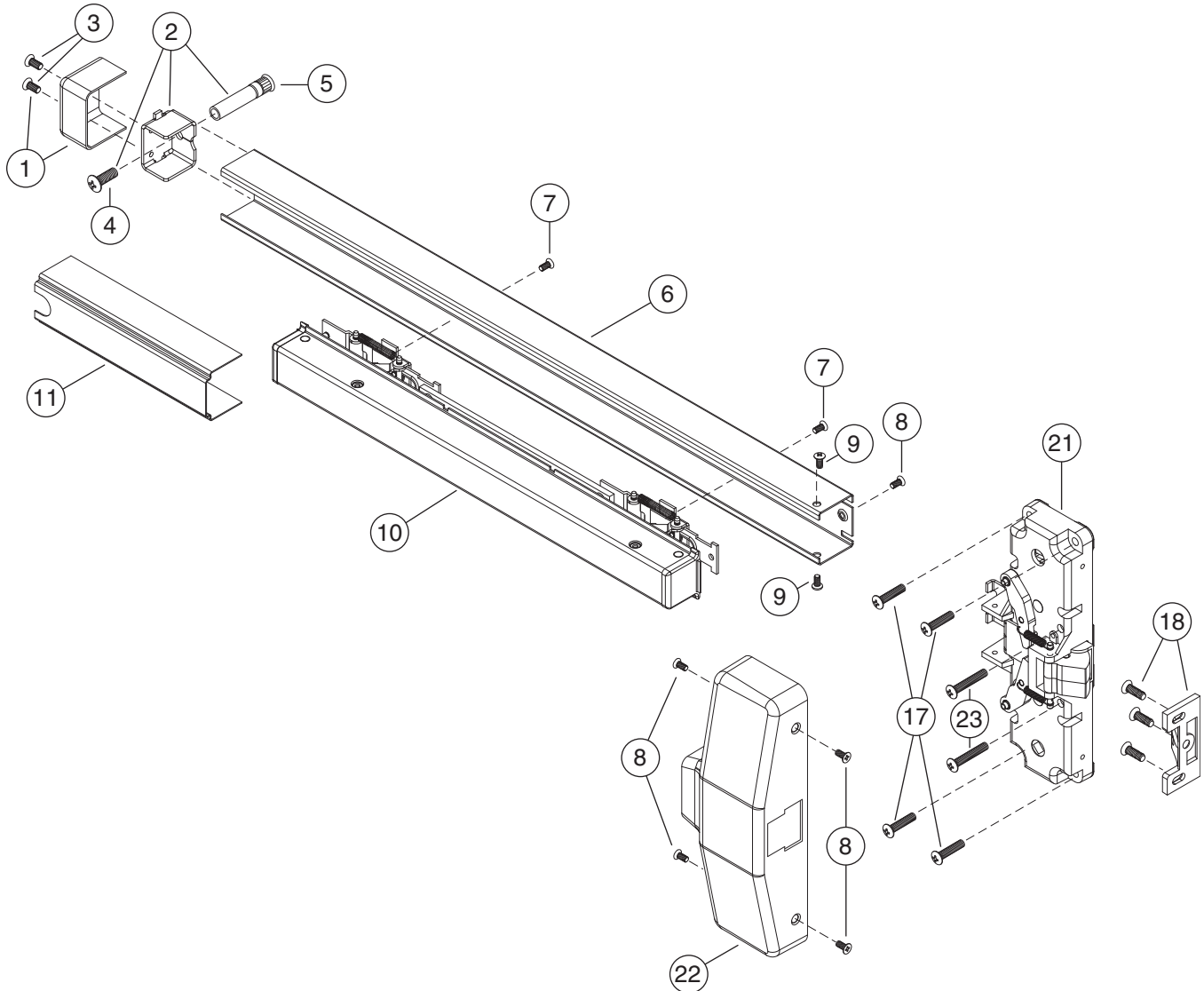
Item No.	Qty.	Part No.	Description	Notes
1	1	600148	Channel End Cap Pkg	A
2	1	600108	End Cap Mounting Bracket with SNB	
3	2	660085	#10-24 x 3/8" PPHMS with Nylon Patch	A
4	1	660047	1/4"-20 x 3/4" TPHMS Screw	
5	1	4122	1/4"-20 Sex Bolt	A
6	1	6195	Channel 2' Door	A
6	1	6196	Channel 2'5" Door	A
6	1	4107	Channel 3' Door	A
6	1	4108	Channel 4' Door	A
7	3	600184	#8-32 x 3/8" UFPHMS with Nylon Patch	A
8	5	600140	#8-32 x 1/4" UFPHMS (Pkg of 4)	A
9	2	660120	#8-32 x 1/4" PPHMS	
10	1	610277	Touch Bar Sub Assembly 2' Door (9")	A
10	1	610278	Touch Bar Sub Assembly 2'5" Door (14")	A
10	1	180	Touch Bar Sub Assembly 3' Door (20")	A
10	1	181	Touch Bar Sub Assembly 4' Door (26")	A
12	1	610279	Dogging Cover Sub Assembly 2' & 2'5" Door	A
12	1	185	Dogging Cover Sub Assembly 3' Door	A
12	1	184	Dogging Cover Sub Assembly 4' Door	A
13	1	193	Dogging Sub Assembly	
14	1	4086	Dogging Pin Shaft	
15	1	660443	Retaining Ring	
16	1	2789	7/32" Hex Key	
17	4	660004	#10-24 x 1-1/4" PPHSMS	
18	1	630015	Roller Strike for Panic and Fire - Standard	
19	1	182	18 Panic Center Case Assembly (EO Function)	
19	1	610246	18-K/L Center Case RHR (Lever/Knob)	
19	1	610247	18-K/L Center Case LHR (Lever/Knob)	
19	1	650095	18-K/L-2 Center Case RHR (Lever/Knob with Double Cylinder)	
19	1	650096	18-K/L-2 Center Case LHR (Lever/Knob with Double Cylinder)	
19	1	610254	FSA-18-K/L Center Case RHR (Lever/Knob)	
19	1	610269	FSA-18-K/L Center Case LHR (Lever/Knob)	
19	1	610271	FSE-18-K/L Center Case RHR (Lever/Knob)	
19	1	610261	FSE-18-K/L Center Case LHR (Lever/Knob)	
20	1	4222	18 Panic Center Case Cover	A
20	1	4764R	18-2 Center Case Cover RHR	A
20	1	4764L	18-2 Center Case Cover LHR	A
*	1	600101	18-R Mounting Pkg	

\* Item(s) not shown.

A. Specify by finish: US-3, US-4, US-10, US-10B, US-26, US-26D, US-32, US-32D.

# F-18 Rim Exit Device

Fire



### F-18 Rim Exit Device

#### Fire

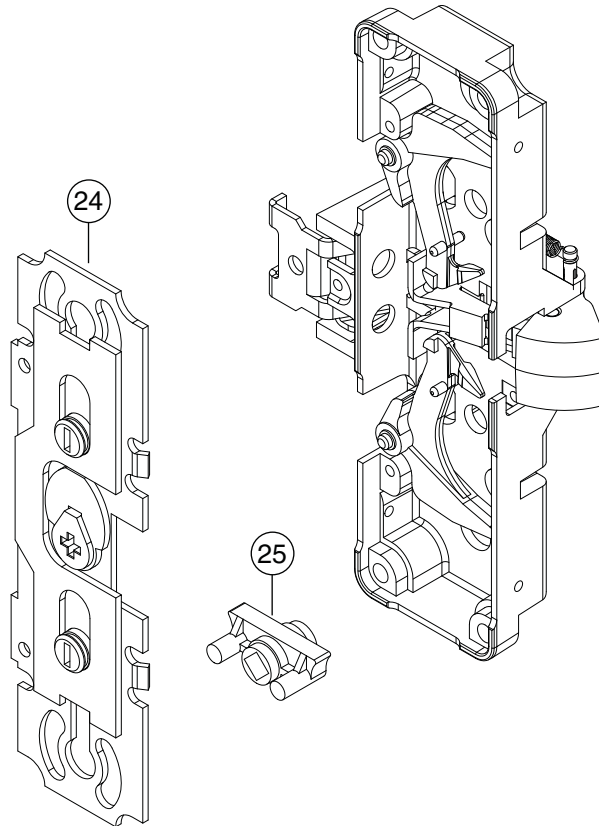
Item No.	Qty.	Part No.	Description	Notes
1	1	600148	Channel End Cap Pkg	A
2	1	600108	End Cap Mounting Bracket with SNB	
3	2	660085	#10-24 x 3/8" PPHMS with Nylon Patch	A
4	1	660047	1/4"-20 x 3/4" TPHMS Screw	
5	1	4122	1/4"-20 Sex Bolt	A
6	1	6195	Channel 2' Door	A
6	1	6196	Channel 2'5" Door	A
6	1	4107	Channel 3' Door	A
6	1	4108	Channel 4' Door	A
7	3	600184	#8-32 x 3/8" UFPHMS with Nylon Patch	A
8	5	600140	#8-32 x 1/4" UFPHMS (Pkg of 4)	A
9	2	660120	#8-32 x 1/4" PPHMS	
10	1	610277	Touch Bar Sub Assembly 2' Door (9")	A
10	1	610278	Touch Bar Sub Assembly 2'5" Door (14")	A
10	1	180	Touch Bar Sub Assembly 3' Door (20")	A
10	1	181	Touch Bar Sub Assembly 4' Door (26")	A
11	1	4955	Channel Cover 3' Door (Fire Device Only)	A
11	1	4956	Channel Cover 2', 2'5", and 4' Door (Fire Device Only)	A
17	4	660004	#10-24 x 1-1/4" PPHSMS	
18	1	630015	F-570 Roller Strike for Panic and Fire - Standard	
21	1	885	F-18-R-EO Center Case Assembly	
21	1	610248	F-18-R-K/L Center Case Assembly RHR	
21	1	610249	F-18-R-K/L Center Case Assembly LHR	
22	1	4223	18 Fire Center Case Cover	A
23	2	660062	10-24 x 1-1/2" PPHMS	
*	1	600100	F-18-R Mounting Pkg	

\* Item(s) not shown.

A. Specify by finish: US-3, US-4, US-10, US-10B, US-26, US-26D, US-32, US-32D.

## (F)18 Rim Center Case

Panic and Fire





## (F)18 Rim Center Case

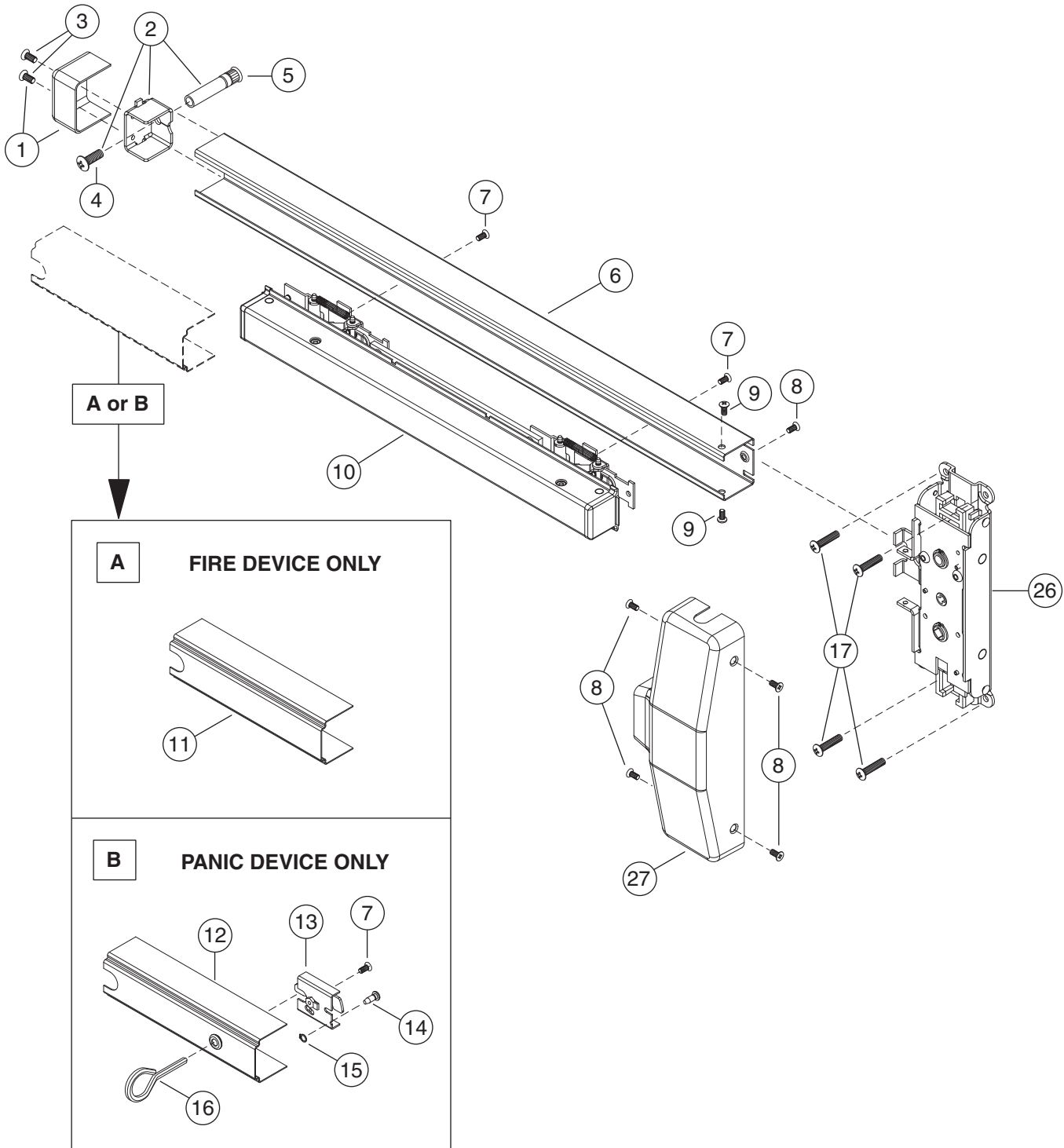
### Panic and Fire

Item No.	Qty.	Part No.	Description	Notes
24	1	610070	18 Rim Back Cover Assembly	
25	1	3755	K-Hub	B

B. Used in K/L functions only.

# (F)18-V Surface Vertical Rod Exit Device

Panic and Fire



## (F)18-V Surface Vertical Rod Exit Device

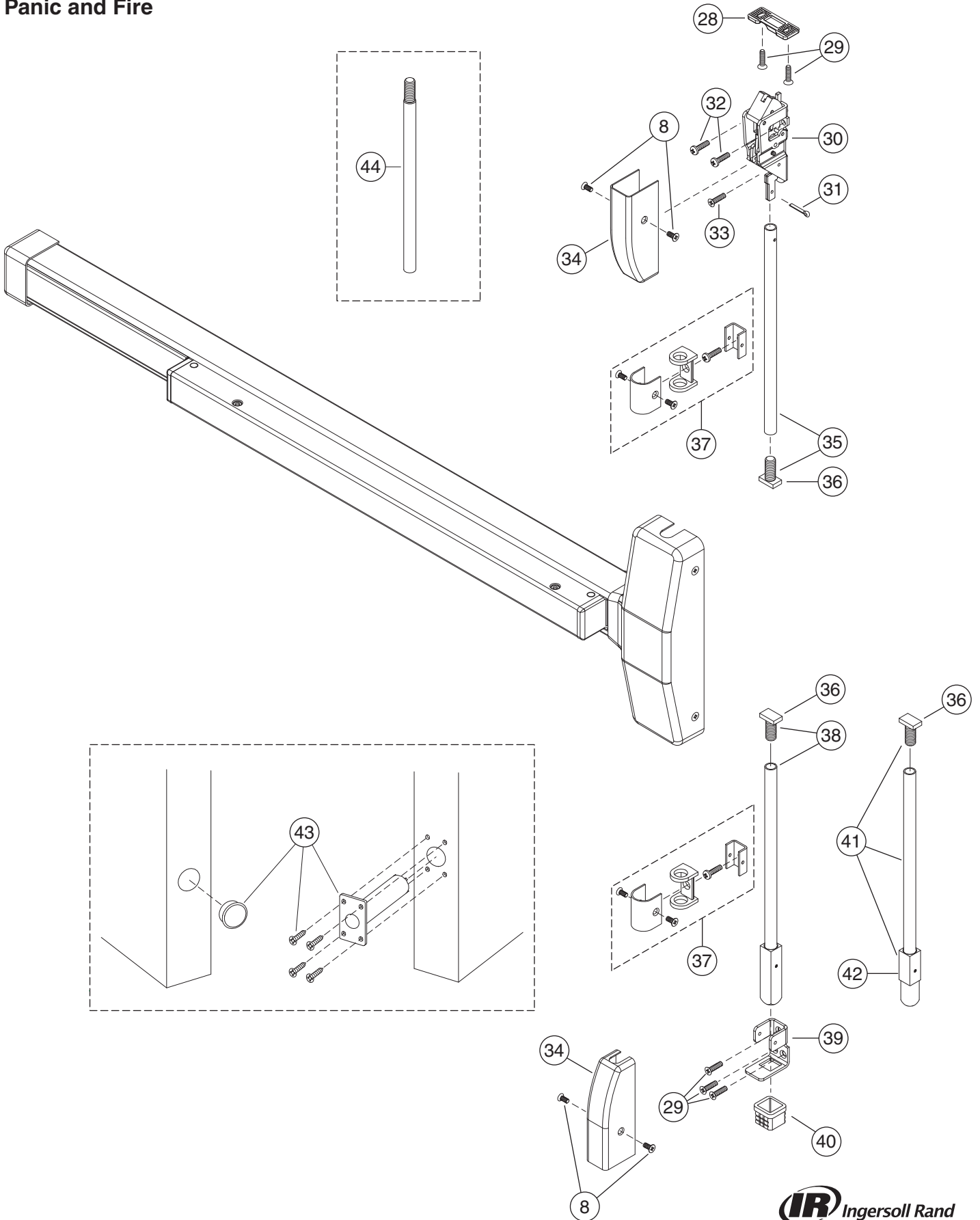
### Panic and Fire

Item No.	Qty.	Part No.	Description	Notes
1	1	600148	Channel End Cap Pkg	A
2	1	600108	End Cap Mounting Bracket with SNB	
3	2	660085	#10-24 x 3/8" PPHMS with Nylon Patch	A
4	1	660047	1/4"-20 x 3/4" TPHMS Screw	
5	1	4122	1/4"-20 Sex Bolt	A
6	1	6195	Channel 2' Door	A
6	1	6196	Channel 2'5" Door	A
6	1	4107	Channel 3' Door	A
6	1	4108	Channel 4' Door	A
7	3	600184	#8-32 x 3/8" UFPHMS with Nylon Patch	A
8	5	600140	#8-32 x 1/4" UFPHMS (Pkg of 4)	A
9	2	660120	#8-32 x 1/4" PPHMS	
10	1	610277	Touch Bar Sub Assembly 2' Door (9")	A
10	1	610278	Touch Bar Sub Assembly 2'5" Door (14")	A
10	1	180	Touch Bar Sub Assembly 3' Door (20")	A
10	1	181	Touch Bar Sub Assembly 4' Door (26")	A
11	1	4955	Channel Cover 3' Door (Fire Device Only)	A
11	1	4956	Channel Cover 2', 2'5", and 4' Door (Fire Device Only)	A
12	1	610279	Dogging Cover Sub Assembly 2' & 2'5" Door	A
12	1	185	Dogging Cover Sub Assembly 3' Door	A
12	1	184	Dogging Cover Sub Assembly 4' Door	A
13	1	193	Dogging Sub Assembly	
14	1	4086	Dogging Pin Shaft	
15	1	660443	Retaining Ring	
16	1	2789	7/32" Hex Key	
17	4	660004	#10-24 x 1-1/4" PPHSMS	
26	1	883L	18 LHR Surface Vertical Center Case Sub Assembly "EO"	
26	1	883R	18 RHR Surface Vertical Center Case Sub Assembly "EO"	
27	1	4221	18 Surface Vertical Center Case Cover	A
*	1	600102	18-V Mounting Pkg	
*	1	600103	F-18-V Mounting Pkg	

\* Item(s) not shown.

A. Specify by finish: US-3, US-4, US-10, US-10B, US-26, US-26D, US-32, US-32D.

**(F)18-V Surface Vertical Rods & Latches**  
Panic and Fire



**(F)18-V Surface Vertical Rods & Latches**  
Panic and Fire

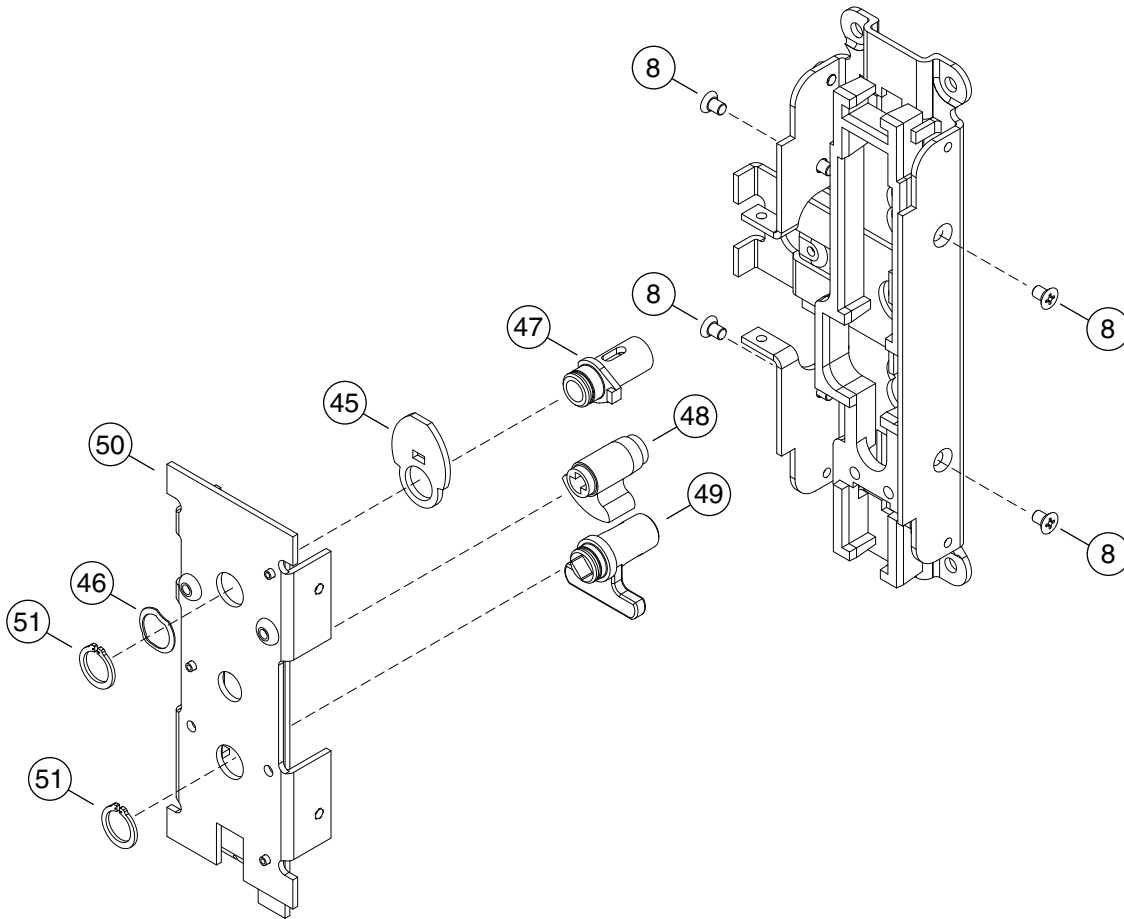
Item No.	Qty.	Part No.	Description	Notes
8	2	600140	#8-32 x 1/4" UFPHMS (Pkg of 4)	A
28	1	630010	3788 Strike - Surface Vertical Rod Panic and Fire Devices - Standard	
29	2	660002	#10 x 1-1/4" FPHSMS	
29	2	660078	#10-24 x 3/4" FPHMS (Fire)	
30	1	588	Surface Vertical Top Latch Case Sub Assembly - Panic	
30	1	F588	Surface Vertical Top Latch Case Sub Assembly - Fire	
31	1	661102	1/8" x 3/4" Cotter Key	
32	2	660004	#10 x 1-1/4" PPHSMS	
32	2	660081	#10-24 x 3/4" PPHMS (Fire)	
33	2	660002	#10 x 1-1/4" FPHSMS	
33	2	660078	#10-24 x 3/4" FPHMS (Fire)	
34	2	3781	Latch Case Cover	A
35	1	3777	Surface Vertical Top Rod Sub Assembly	
36	2	4400	Surface Vertical Rod Adjustment Screw	
37	2	590	Rod Guide and Support	A
38	1	610034	Surface Vertical Bottom Bolt and Rod Assembly	
39	1	610035	Surface Vertical Bottom Guide Assembly	A
40	1	2130	2130 Strike - Surface and Concealed for Panic or Fire - Standard	
41	1	610225	18-V Round Bottom Bolt Rod Assembly	A
42	1	610227	18-V Round Bottom Bolt	
43	1	5494	Auxiliary Fire Latch (Fire - Less Bottom Rod Only)	
44	1	650006	Vertical Extension Rod 12"	A
44	1	650007	Vertical Extension Rod 24"	A
44	1	650008	Vertical Extension Rod 36"	A
*	1	600102	18-V Mounting Pkg	
*	1	600103	F-18-V Mounting Pkg	

\* Item(s) not shown.

A. Specify by finish: US-3, US-4, US-10, US-10B, US-26, US-26D, US-32, US-32D.

# (F)18-V Surface Vertical Center Case

Panic and Fire



**(F)18-V Surface Vertical Center Case****Panic and Fire**

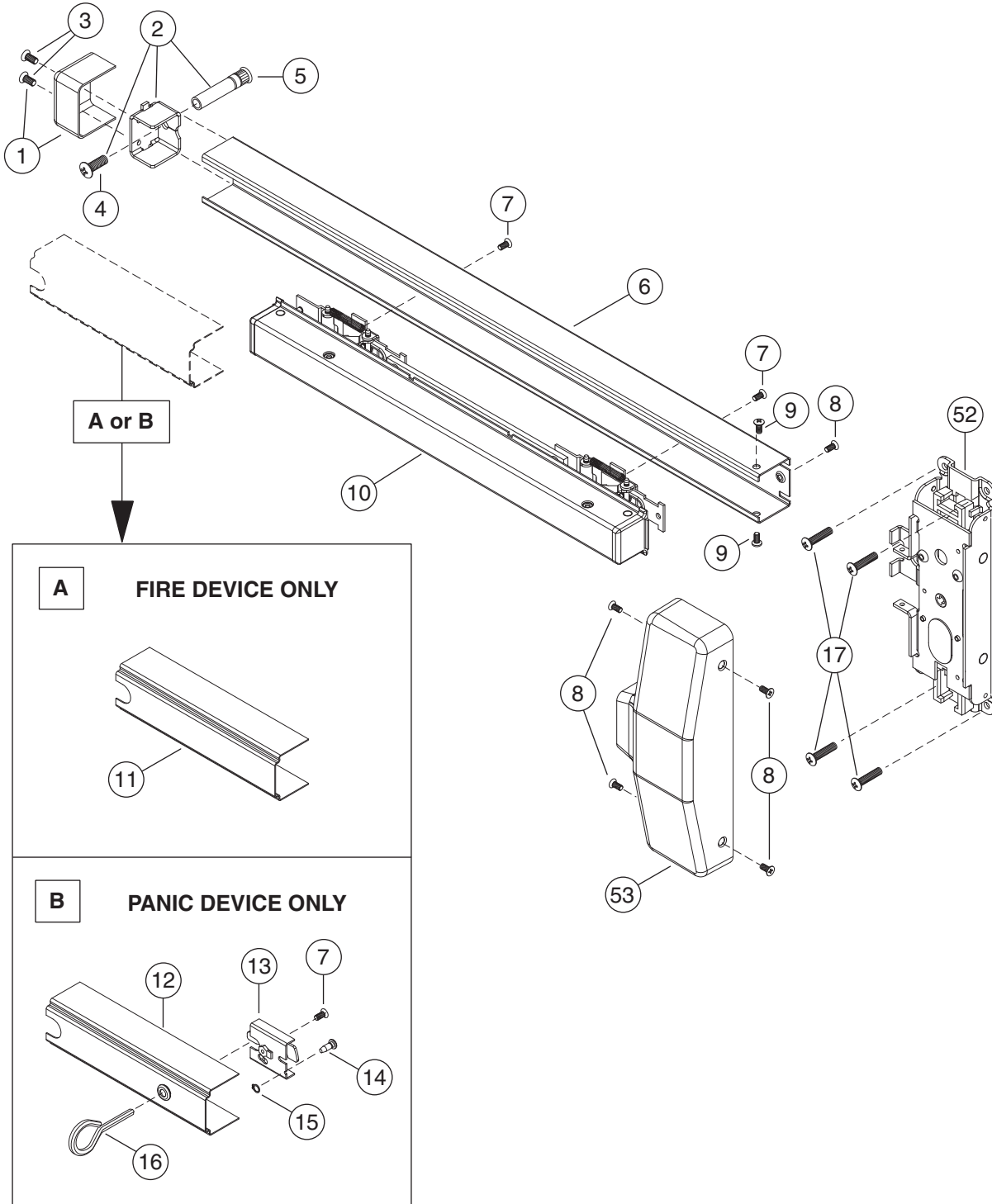
Item No.	Qty.	Part No.	Description	Notes
8	5	600140	#8-32 x 1/4" UFPHMS	
45	1	3762	18 Locking Cam	C
46	1	4299101024	Wave Washer	
47	1	4233	18 Locking Cam Operator	C
48	1	4231	18 Main Cam	
49	1	4232	18 K Hub	B
50	1	610033	18 Surface Vertical Cover Plate Sub Assembly	
51	2	660441	Retaining Ring	C

B. Used in K/L trim functions only.

C. Omit for "BE" trim function.

# (F)18-C Concealed Vertical Rod Exit Device

Fire and Panic





## (F)18-C Concealed Vertical Rod Exit Device

### Fire and Panic

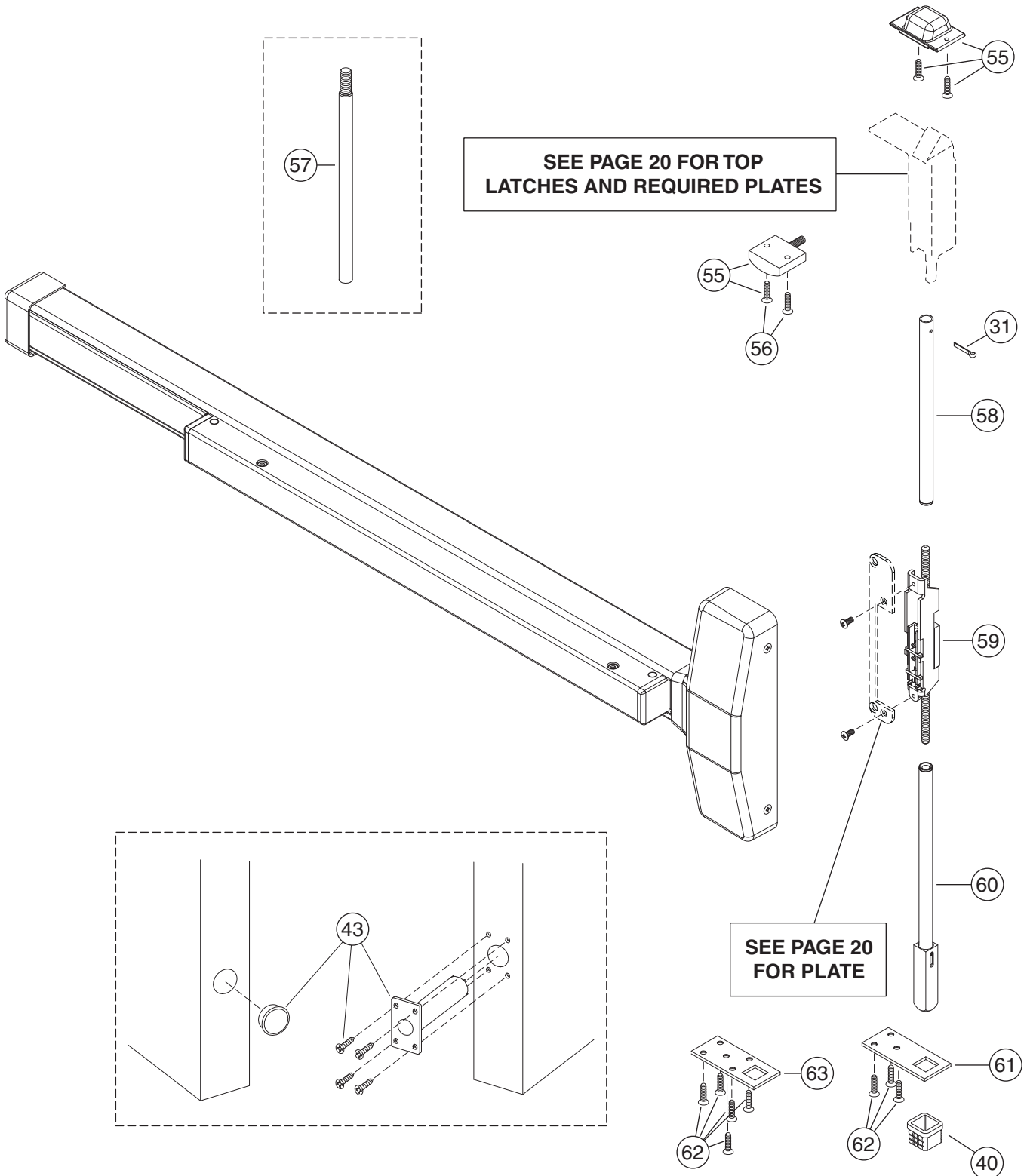
Item No.	Qty.	Part No.	Description	Notes
1	1	600148	Channel End Cap Pkg	A
2	1	600108	End Cap Mounting Bracket with SNB	
3	2	660085	#10-24 x 3/8" PPHMS with Nylon Patch	A
4	1	660047	1/4"-20 x 3/4" TPHMS Screw	
5	1	4122	1/4"-20 Sex Bolt	A
6	1	6195	Channel 2' Door	A
6	1	6196	Channel 2'5" Door	A
6	1	4107	Channel 3' Door	A
6	1	4108	Channel 4' Door	A
7	3	600184	#8-32 x 3/8" UFPHMS with Nylon Patch	A
8	5	600140	#8-32 x 1/4" UFPHMS (Pkg of 4)	A
9	2	660120	#8-32 x 1/4" PPHMS	
10	1	610277	Touch Bar Sub Assembly 2' Door (9")	A
10	1	610278	Touch Bar Sub Assembly 2'5" Door (14")	A
10	1	180	Touch Bar Sub Assembly 3' Door (20")	A
10	1	181	Touch Bar Sub Assembly 4' Door (26")	A
11	1	4955	Channel Cover 3' Door (Fire Device Only)	A
11	1	4956	Channel Cover 2', 2'5", and 4' Door (Fire Device Only)	A
12	1	610279	Dogging Cover Sub Assembly 2' & 2'5" Door	A
12	1	185	Dogging Cover Sub Assembly 3' Door	A
12	1	184	Dogging Cover Sub Assembly 4' Door	A
13	1	193	Dogging Sub Assembly	
14	1	4086	Dogging Pin Shaft	
15	1	660443	Retaining Ring	
16	1	2789	7/32" Hex Key	
17	4	660004	#10-24 x 1-1/4" PPHSMS	
52	1	889	18 Concealed Vertical Center Case Sub Assembly "EO"	
53	1	4220	18 Concealed Vertical Center Case Cover	
*	1	600105	18-C Device Mounting Package	
*	1	600104	F-18-C Device Mounting Package	
*	1	600111	18-WDC Device Mounting Package	A
*	1	600109	F-18-WDC (20 Minute) Device Mounting Package	A
*	1	600110	F-18-WDC (90 Minute) Device Mounting Package	

\* Item(s) not shown.

A. Specify by finish: US-3, US-4, US-10, US-10B, US-26, US-26D, US-32, US-32D.

# (F)18-C Concealed Vertical Rods & Latches

Fire and Panic



## (F)18-C Concealed Vertical Rods & Latches

### Fire and Panic

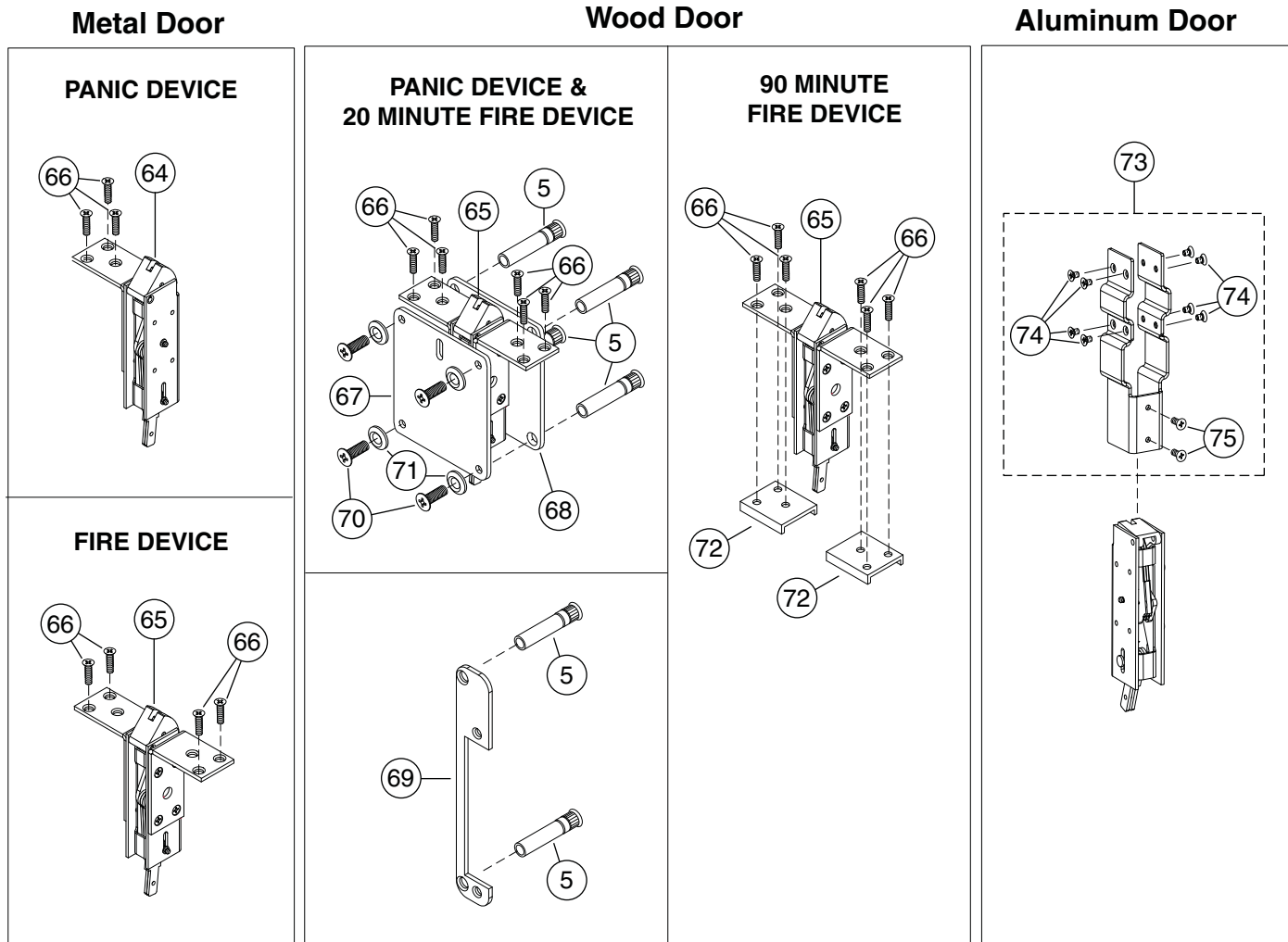
Item No.	Qty.	Part No.	Description	Notes
40	1	630013	2130 Strike - Surface and Concealed for Panic or Fire - Standard	
43	1	5494	Auxiliary Fire Latch (Fire - Less Bottom Rod Only)	
54	1	630012	4188 Strike - Concealed Vertical Rod Panic and Fire Devices - Standard	
55	1	600144	Top Latch Release Sub Assembly	A
56	2	660078	#10-24 x 3/4" FPHMS	A
57	1	650017	Concealed Vertical Extension Rod 12"	
57	1	650018	Concealed Vertical Extension Rod 24"	
57	1	650019	Concealed Vertical Extension Rod 36"	
58	1	610061	Top Rod Sub Assembly	
59	1	610043	Center Slide Sub Assembly	
60	1	610057	Bottom Rod Sub Assembly	
61	1	4567	Bottom Bolt Guide	
62	8	660002	#10 x 1-1/4" FPHSMS (Panic or Wood)	A
62	9	660078	#10-24 x 3/4" FPHMS (Fire)	A
63	1	4835	Bottom Bolt Guide - WDC	
*	1	600105	18-C Device Mounting Package	
*	1	600104	F-18-C Device Mounting Package	
*	1	600111	18-WDC Device Mounting Package	A
*	1	600109	F-18-WDC (20 Minute) Device Mounting Package	A
*	1	600110	F-18-WDC (90 Minute) Device Mounting Package	

\* Item(s) not shown.

A. Specify by finish: US-3, US-4, US-10, US-10B, US-26, US-26D, US-32, US-32D.

# (F)18-C Concealed Vertical Top Latches and Plates

Wood and Metal Door, Panic and Fire

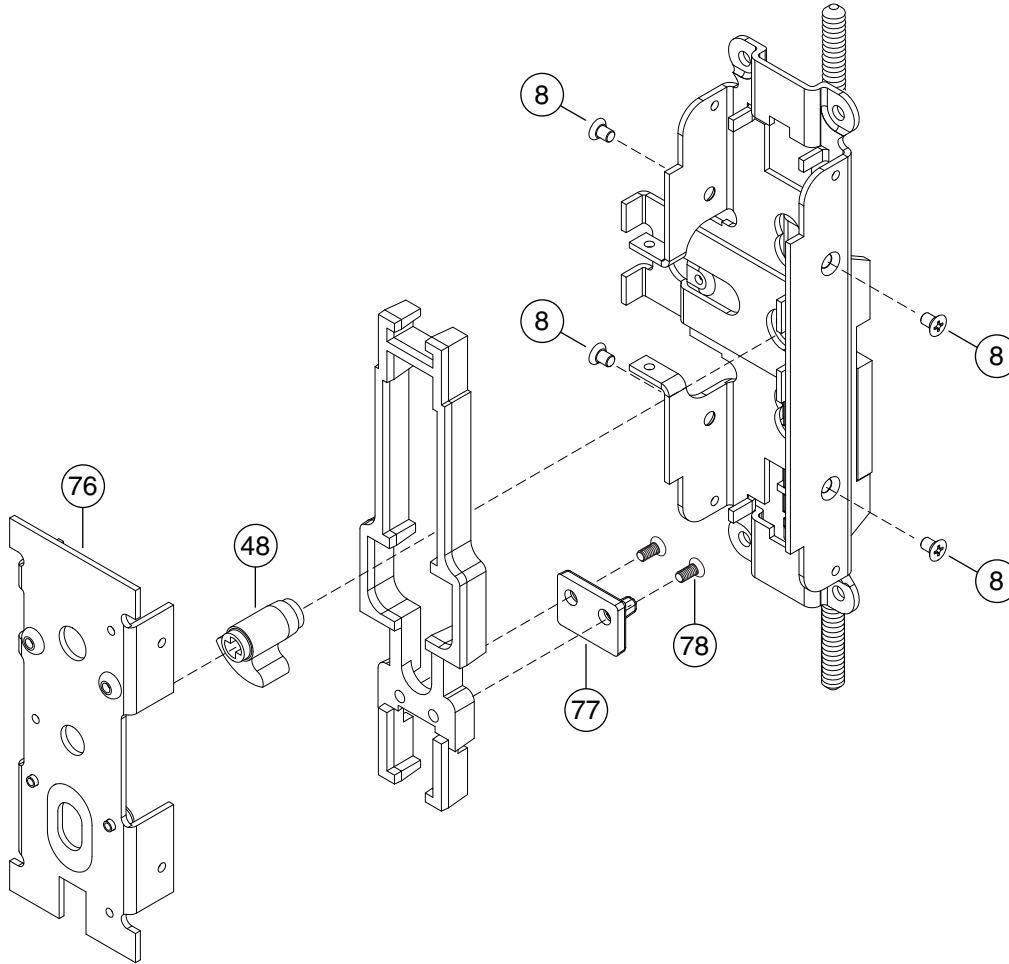


Item No.	Qty.	Part No.	Description	Notes
5	6	4122	1/4"-20 Sex Bolt	A
64	1	603	Concealed Top Latch Case Sub Assembly (Panic)	
65	1	F603	Concealed Top Latch Case Sub Assembly (Fire)	
66	6	660078	#10-24 x 3/4" FPHMS	
67	1	4834	Top Reinforcement Plate with Access Hole	A
68	1	4833	Top Reinforcement Plate	A
69	1	4832	Center Slide Reinforcement Plate	
70	4	660044	1/4"-20 x 3/4" FPHMS	A
71	4	600185	1/4" CSK Finish Washer	A
72	2	4694	Latch Bracket	
73	1	600174	Aluminum Door Bracket Package	
74	8	660121	#8-32 x 1/4" PPHMS with Nylon Patch	
75	2	660066	#10-24 x 1/2" FPHMS	

A. Specify by finish: US-3, US-4, US-10, US-10B, US-26, US-26D, US-32, US-32D.

**(F)18-C Concealed Vertical Rod Center Case**

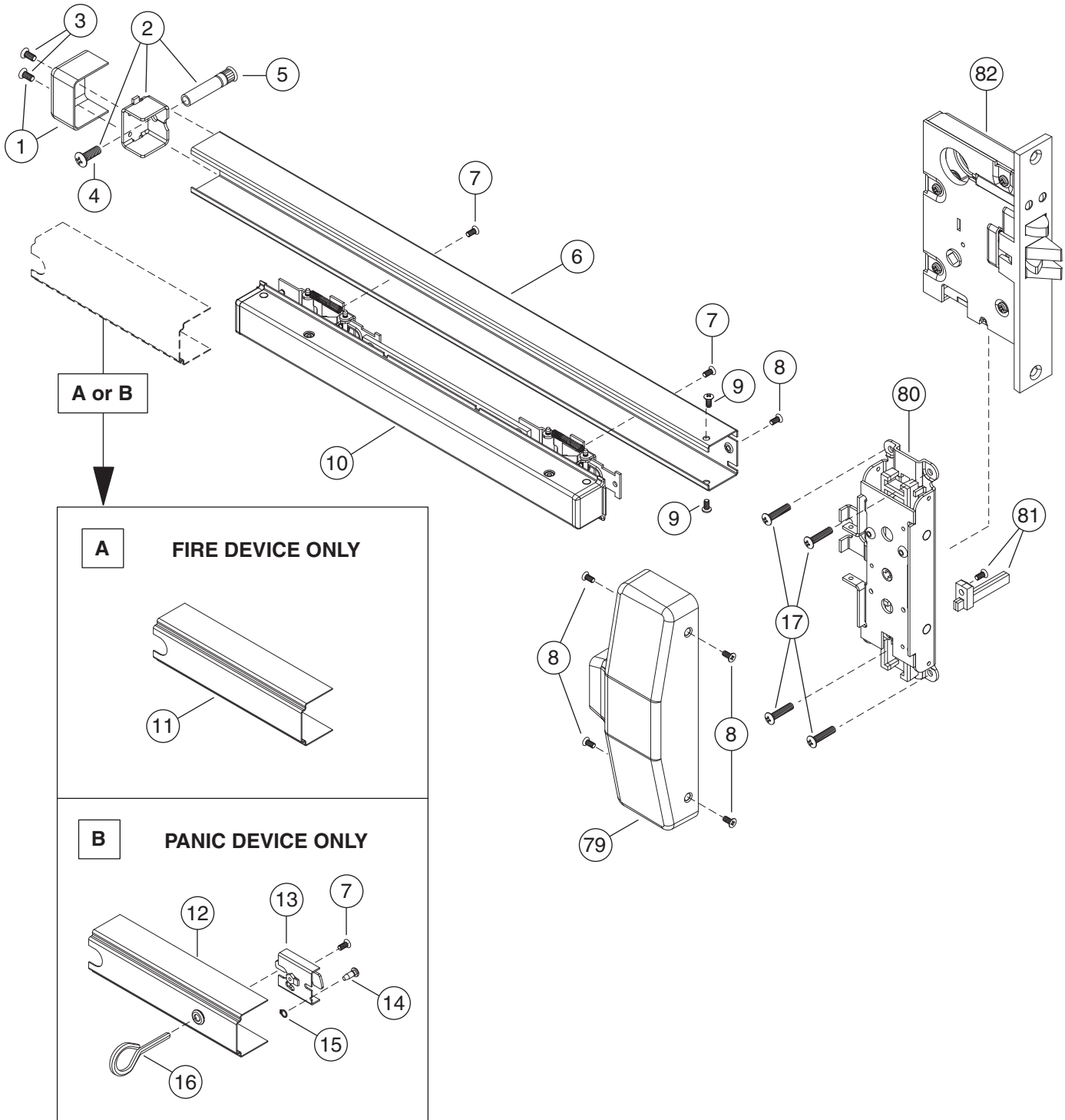
Panic and Fire



Item No.	Qty.	Part No.	Description	Notes
8	5	600140	#8-32 x 1/4" UFPHMS	
48	1	4231	18 Main Cam	
76	1	610071	18 Concealed Cover Plate Sub Assembly	
77	1	4246	Lift Finger	
78	2	660065	#10-24 x 1/2" FPHMS with Nylon Patch	

# (F)18-M Mortise Exit Device

Panic and Fire



## (F)18-M Mortise Exit Device

### Panic and Fire

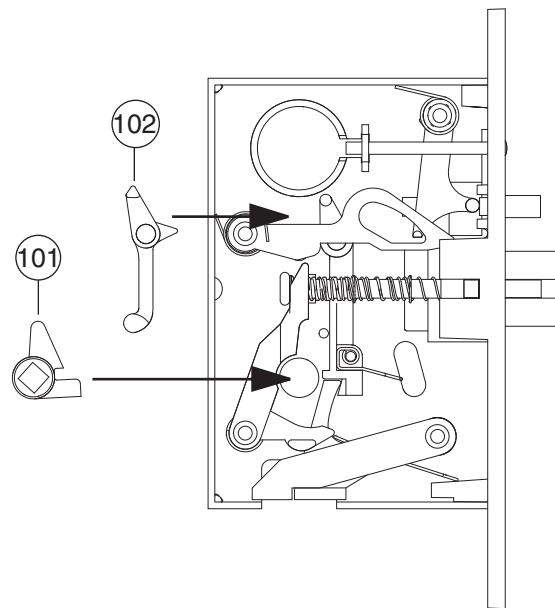
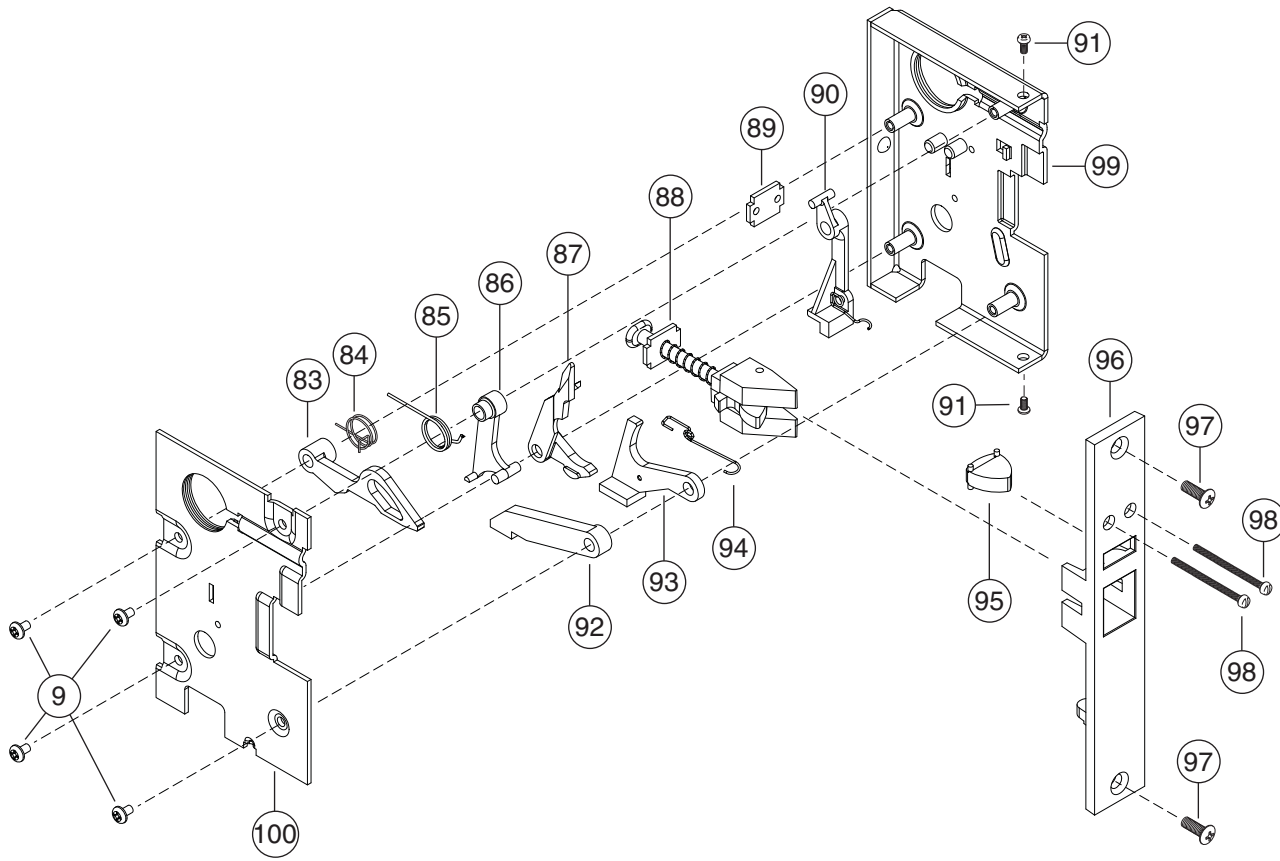
Item No.	Qty.	Part No.	Description	Notes
1	1	600148	Channel End Cap Pkg	A
2	1	600108	End Cap Mounting Bracket with SNB	
3	2	660085	#10-24 x 3/8" PPHMS with Nylon Patch	A
4	1	660047	1/4"-20 x 3/4" TPHMS Screw	
5	1	4122	1/4"-20 Sex Bolt	A
6	1	6195	Channel 2' Door	A
6	1	6196	Channel 2'5" Door	A
6	1	4107	Channel 3' Door	A
6	1	4108	Channel 4' Door	A
7	3	600184	#8-32 x 3/8" UFPHMS with Nylon Patch	A
8	5	600140	#8-32 x 1/4" UFPHMS (Pkg of 4)	A
9	2	660120	#8-32 x 1/4" PPHMS	
10	1	610277	Touch Bar Sub Assembly 2' Door (9")	A
10	1	610278	Touch Bar Sub Assembly 2'5" Door (14")	A
10	1	180	Touch Bar Sub Assembly 3' Door (20")	A
10	1	181	Touch Bar Sub Assembly 4' Door (26")	A
11	1	4955	Channel Cover 3' Door (Fire Device Only)	A
11	1	4956	Channel Cover 2', 2'5", and 4' Door (Fire Device Only)	A
12	1	610279	Dogging Cover Sub Assembly 2' & 2'5" Door	A
12	1	185	Dogging Cover Sub Assembly 3' Door	A
12	1	184	Dogging Cover Sub Assembly 4' Door	A
13	1	193	Dogging Sub Assembly	
14	1	4086	Dogging Pin Shaft	
15	1	660443	Retaining Ring	
16	1	2789	7/32" Hex Key	
17	4	660004	#10-24 x 1-1/4" PPHSMS	
79	1	4220	18 Mortise Center Case Cover	A
80	1	887	18 Mortise Center Case Assembly	
81	1	600117	Lift Finger with Mounting Screw	
82	1		Mortise Lock - 8500 x Function x Handing	A
*	1	600106	18-M Device Mounting Package	
*	1	600107	F-18-M Device Mounting Package	

\* Item(s) not shown.

A. Specify by finish: US-3, US-4, US-10, US-10B, US-26, US-26D, US-32, US-32D.

# (F)18-M Mortise Lock

Panic and Fire





## (F)18-M Mortise Lock

### Panic and Fire

Item No.	Qty.	Part No.	Description	Notes
9	2	660120	#8-32 x 1/4" PPHMS	
83	1	3532	Dead Locking Arm	
84	1	3518	Dead Lock Arm Spring	D
85	1	3531	Auxiliary Bolt Spring	
86	1	3530	Auxiliary Bolt Actuator	
87	1	3521	Actuating Arm	
88	1	610041	Mortise Latch Bolt Assembly	
89	1	4025	Cylinder Screw Retainer	C
90	1	610042	Locking Arm and Spring Assembly	C & D
91	2	660068	#10-24 x 1/2" PPHMS Type "F"	
92	1	3522	Main Lift	
93	1	3523	T-Lift	
94	1	3516	T-Lift Spring	
95	1	3529	Auxiliary Bolt	
96	1	3515	Mortise Lock Face	E
97	2	660068	#10-24 x 1/2" PPHMS	E
98	2	660128	#8-32 x 2" FIL HD MS (US-26, US-26D)	E
98	2	660129	#8-32 x 2" FIL HD MS (US-3, US-4, US-10, US-10B)	E
99	1	610067	Mortise Lock Housing Assembly	
100	1	3540	Mortise Back Cover	
101	1	3519	Mortise K-Hub	B & C
102	1	3542	Clinder Operating Arm	C & F

A. Specify by finish: US-3, US-4, US-10, US-10B, US-26, US-26D, US-32, US-32D.

B. Used in K/L trim functions only.

C. Omit for "BE" trim function.

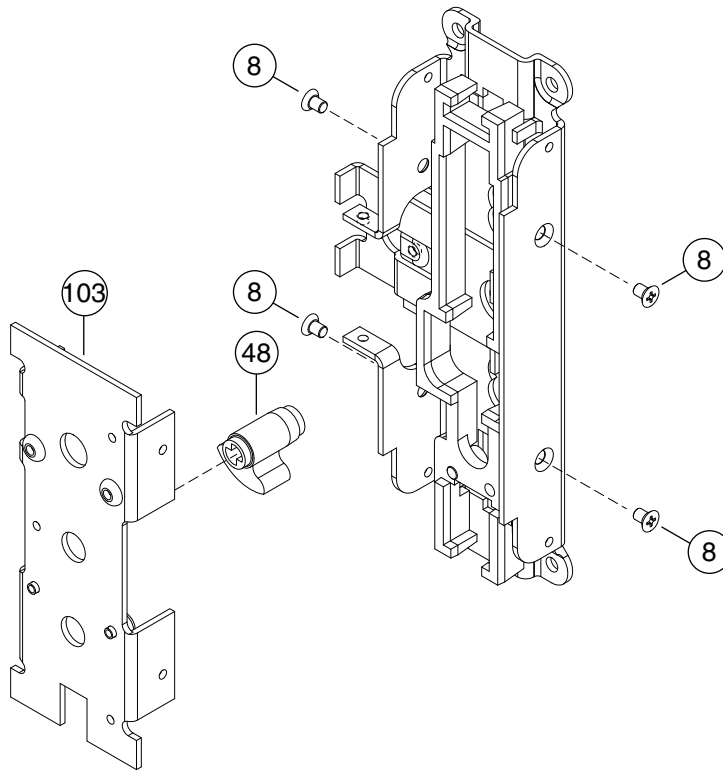
D. Dead lock arm spring (Part No. 3518) required for NL function. Remove existing spring and screw from locking arm for NL.

E. Available only in US-3, US-4, US-10, US-10B, US-26, US-26D.

F. Used in NL function only.

# (F)18-M Mortise Center Case

Panic and Fire

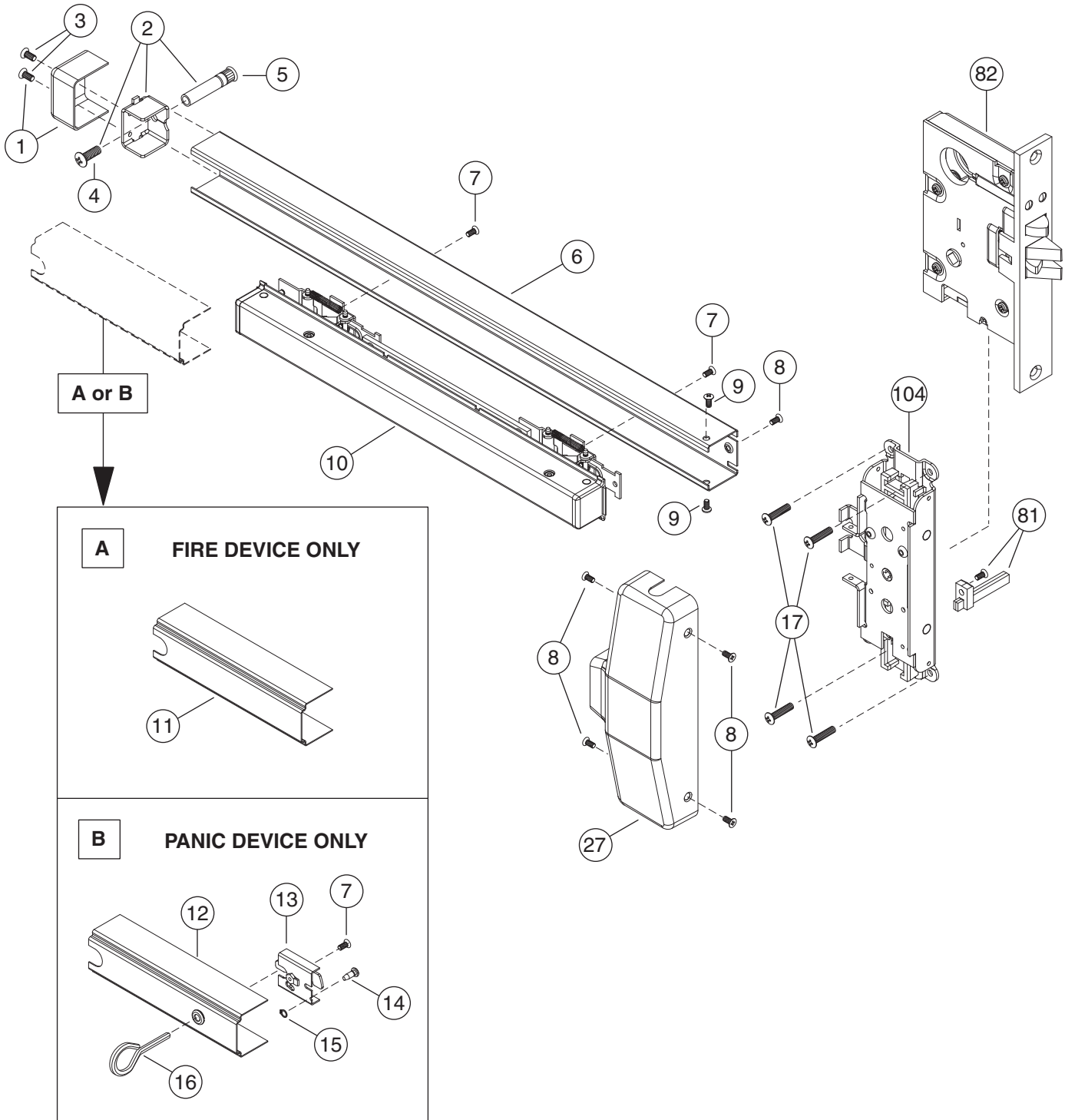


**(F)18-M Mortise Center Case****Panic and Fire**

<b>Item No.</b>	<b>Qty.</b>	<b>Part No.</b>	<b>Description</b>	<b>Notes</b>
8	5	600140	#8-32 x 1/4" UFPHMS	
48	1	4231	18 Main Cam	
103	1	610078	18 Mortise Cover Plate Sub Assembly	

# (F)18-TPL Three Point Latch Exit Device

Panic and Fire



## (F)18-TPL Three Point Latch Exit Device

### Panic and Fire

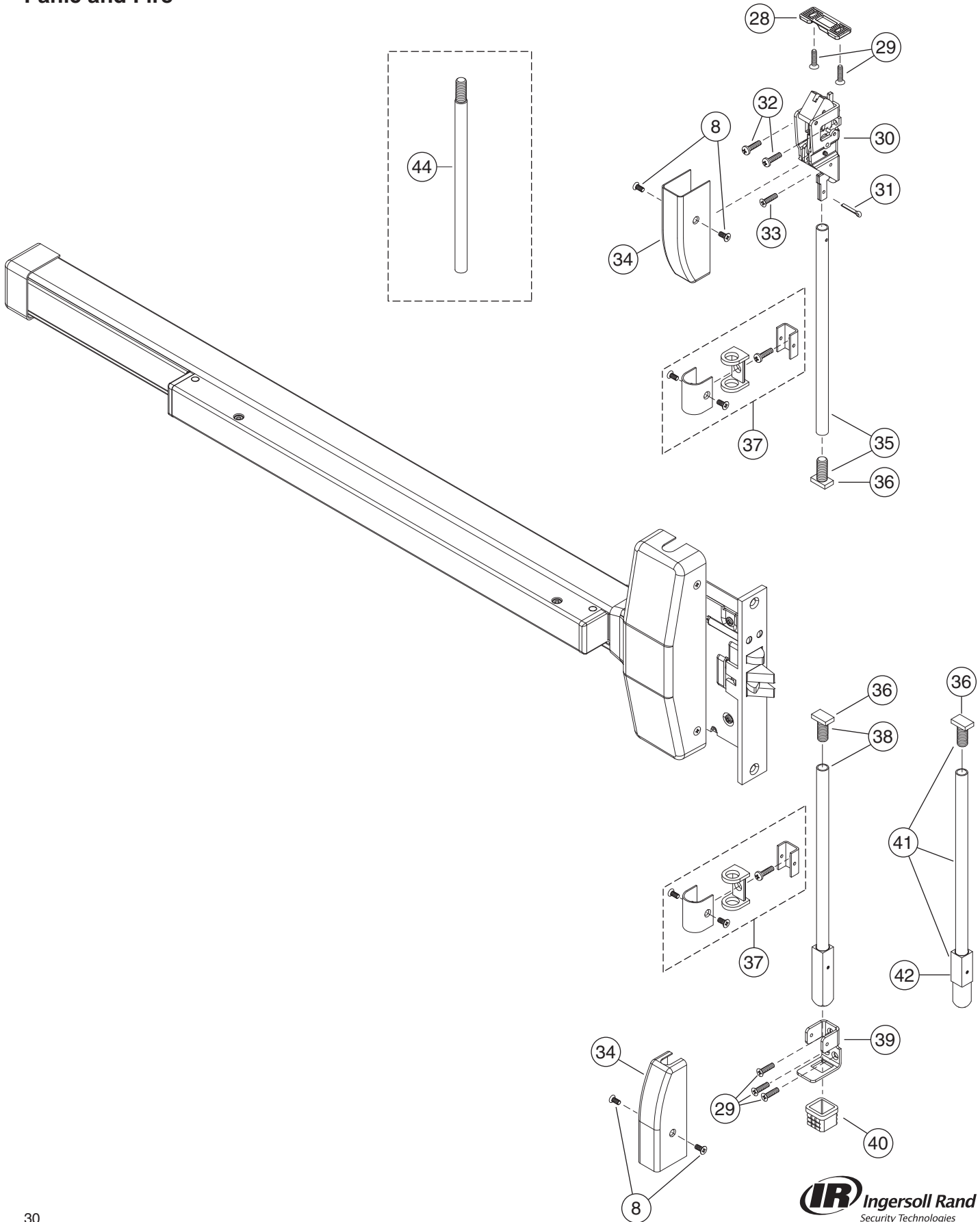
Item No.	Qty.	Part No.	Description	Notes
1	1	600148	Channel End Cap Pkg	A
2	1	600108	End Cap Mounting Bracket with SNB	
3	2	660085	#10-24 x 3/8" PPHMS with Nylon Patch	A
4	1	660047	1/4"-20 x 3/4" TPHMS Screw	
5	1	4122	1/4"-20 Sex Bolt	A
6	1	6195	Channel 2' Door	A
6	1	6196	Channel 2'5" Door	A
6	1	4107	Channel 3' Door	A
6	1	4108	Channel 4' Door	A
7	3	600184	#8-32 x 3/8" UFPHMS with Nylon Patch	A
8	5	600140	#8-32 x 1/4" UFPHMS (Pkg of 4)	A
9	2	660120	#8-32 x 1/4" PPHMS	
10	1	610277	Touch Bar Sub Assembly 2' Door (9")	A
10	1	610278	Touch Bar Sub Assembly 2'5" Door (14")	A
10	1	180	Touch Bar Sub Assembly 3' Door (20")	A
10	1	181	Touch Bar Sub Assembly 4' Door (26")	A
11	1	4955	Channel Cover 3' Door (Fire Device Only)	A
11	1	4956	Channel Cover 2', 2'5", and 4' Door (Fire Device Only)	A
12	1	610279	Dogging Cover Sub Assembly 2' & 2'5" Door	A
12	1	185	Dogging Cover Sub Assembly 3' Door	A
12	1	184	Dogging Cover Sub Assembly 4' Door	A
13	1	193	Dogging Sub Assembly	
14	1	4086	Dogging Pin Shaft	
15	1	660443	Retaining Ring	
16	1	2789	7/32" Hex Key	
17	4	660004	#10-24 x 1-1/4" PPHSMS	
27	1	4221	18 Surface Vertical Center Case Cover	A
81	1	600117	Lift Finger with Mounting Screw	
82	1		Mortise Lock - 8500 x Function x Handing	A
104	1	650098	(F)18-TPL Center Case Assembly RHR	
104	1	650098	(F)18-TPL Center Case Assembly LHR	

\* Item(s) not shown.

A. Specify by finish: US-3, US-4, US-10, US-10B, US-26, US-26D, US-32, US-32D.

# (F)18-TPL Three Point Latch Rods & Latches

Panic and Fire



**(F)18-TPL Three Point Latch Rods & Latches**  
Panic and Fire

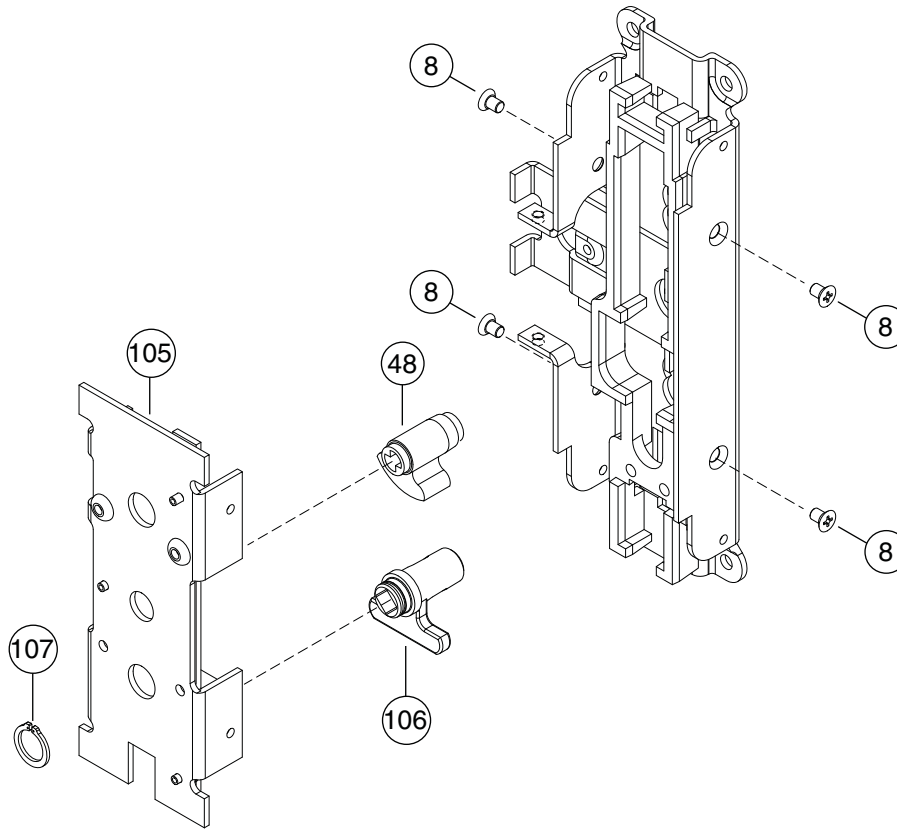
Item No.	Qty.	Part No.	Description	Notes
8	2	600140	#8-32 x 1/4" UFPHMS (Pkg of 4)	A
28	1	630010	3788 Strike - Surface Vertical Rod Panic and Fire Devices - Standard	
29	2	660002	#10 x 1-1/4" FPHSMS	C
29	2	660078	#10-24 x 3/4" FPHMS (Fire)	
30	1	588	Surface Vertical Top Latch Case Sub Assembly - Panic	
30	1	F588	Surface Vertical Top Latch Case Sub Assembly - Fire	
31	1	661102	1/8" x 3/4" Cotter Key	
32	2	660004	#10 x 1-1/4" PPHSMS	
32	2	660081	#10-24 x 3/4" PPHMS (Fire)	
33	2	660002	#10 x 1-1/4" FPHSMS	
33	2	660078	#10-24 x 3/4" FPHMS (Fire)	
34	2	3781	Latch Case Cover	A
35	1	3777	Surface Vertical Top Rod Sub Assembly	
36	2	4400	Surface Vertical Rod Adjustment Screw	
37	2	590	Rod Guide and Support	A
38	1	610034	Surface Vertical Bottom Bolt and Rod Assembly	
39	1	610035	Surface Vertical Bottom Guide Assembly	A
40	1	2130	2130 Strike - Surface and Concealed for Panic or Fire - Standard	
41	1	610225	18-V Round Bottom Bolt Rod Assembly	A
42	1	610227	18-V Round Bottom Bolt	
44	1	650006	Vertical Extension Rod 12"	A
44	1	650007	Vertical Extension Rod 24"	A
44	1	650008	Vertical Extension Rod 36"	A
*	1	600102	18-TPL Mounting Pkg	
*	1	600103	F-18-TPL Mounting Pkg	

\* Item(s) not shown.

A. Specify by finish: US-3, US-4, US-10, US-10B, US-26, US-26D, US-32, US-32D.

# (F)18-TPL Three Point Latch Center Case

Panic and Fire



Item No.	Qty.	Part No.	Description	Notes
8	5	600140	#8-32 x 1/4" UFPHMS	
48	1	4231	18 Main Cam	
105	1	4235	18 TPL Cover Plate Sub Assembly	
106	1	4232	K-Hub	
107	1	660442	Retaining Ring	



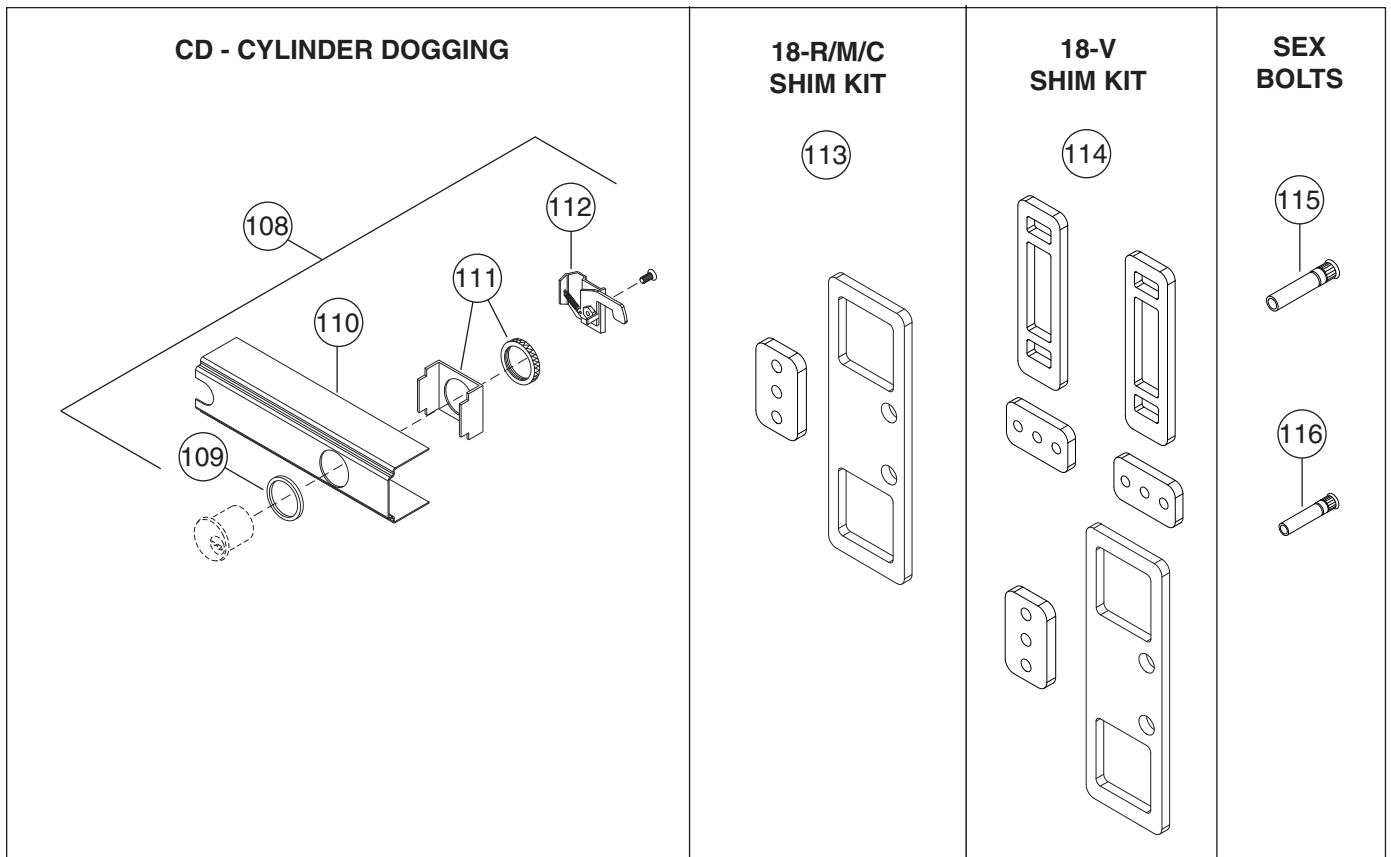
## 18 Series Optional Equipment

Item No.	Qty.	Part No.	Description	Notes
108	1	650059	18 CD Kit 3' (items 63-66)	A
108	1	650062	18 CD Kit 4' (items 63-66)	A
109	1	3917	CD Cylinder Collar	A
110	1	4950	18 CD Cover Plate 3'	A
110	1	4951	18 CD Cover Plate 4'	A
111	1	600146	CD Cylinder Retaining Bracket Package	
112	1	610106	CD Dogging Sub Assembly	
113	1	650020	18-R/M/C 1/4" Shim Kit	
114	1	650021	18-V 1/4" Shim Kit	
115	1	4122	1/4"-20 Sex Bolt**	
116	1	2729	#10-24 Sex Bolt***	

\*\* Sold individually, for reinforcing plate (2), or WDC latch (4)

\*\*\*Sold individually, for center case (4), or surface vertical latches (3)

A. Specify by finish: US-3, US-4, US-10, US-10B, US-26, US-26D, US-32, US-32D.









Ingersoll Rand's Security Technologies Sector is a leading global provider of products and services that make environments safe, secure and productive. The Sector's market-leading products include electronic and biometric access control systems; time and attendance and personnel scheduling systems; mechanical locks and portable security, door closers and exit devices, steel doors and frames, architectural hardware and technologies and services for global security markets.

800.266.4456 Locks  
800.826.5792 Exit Devices  
800.815.1517 Closers

[www.falcon.ingersollrand.com](http://www.falcon.ingersollrand.com)    [www.ingersollrand.com](http://www.ingersollrand.com)