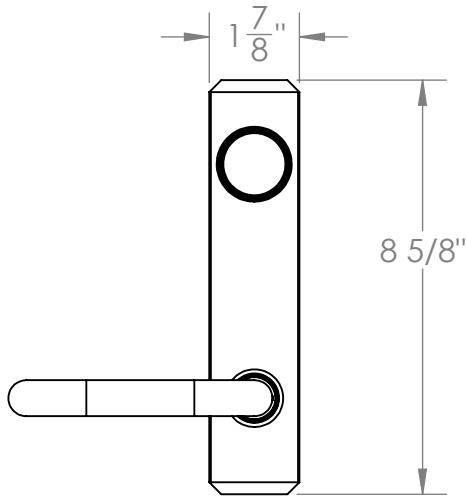


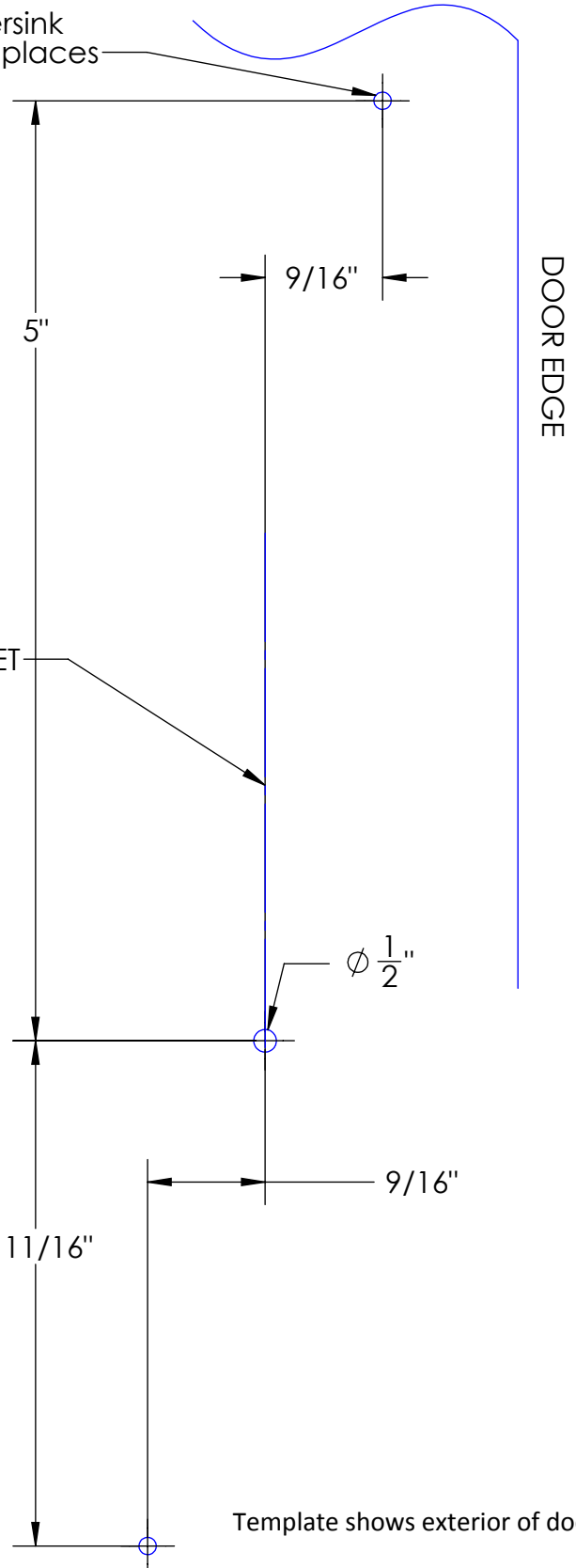
LEVER INSTALLATION TEMPLATE

for First Choice for Rim Latch 3790 Exit Device
Model L3710 Lever Trim Left Hand Reverse Bevel
With out electric control

3/8" drill on exterior side and countersink
for #10-32 on interior side of door 2 places



SEE EXIT DEVICE
TEMPLATE FOR BACKSET



DOOR & FRAME PREPARATION INSTRUCTIONS

FOR CENTERLINE REFERENCE USE THE EXIT DEVICE
TEMPLATE TO
LOCATE PINION GEAR HOLE, ALSO KNOWN AS
THE OPERATOR HOLE.

Template shows exterior of door.

FIRST CHOICE
BUILDING PRODUCTS

REVISED: 08.05.2011