

**MEL Exit Device,
1 Single Door,
PSEL1500**

NOTES:

- 1) Verify that each component requiring or supplying power has been configured for proper system voltage before applying power.
- 2) All wires to be 18 awg 100' max unless otherwise noted on drawing. Refer to manufacturers instructions for proper wire gauge on any power supply, electric device or electrified lock hardware. Manufacturers requirements take precedence.
- 3) All line voltage power to be I/A/W local electrical code.
- 4) All low voltage wires to be stranded copper unless superseded by local electrical code or electric device manufacturer.

POWER TRANSFERS

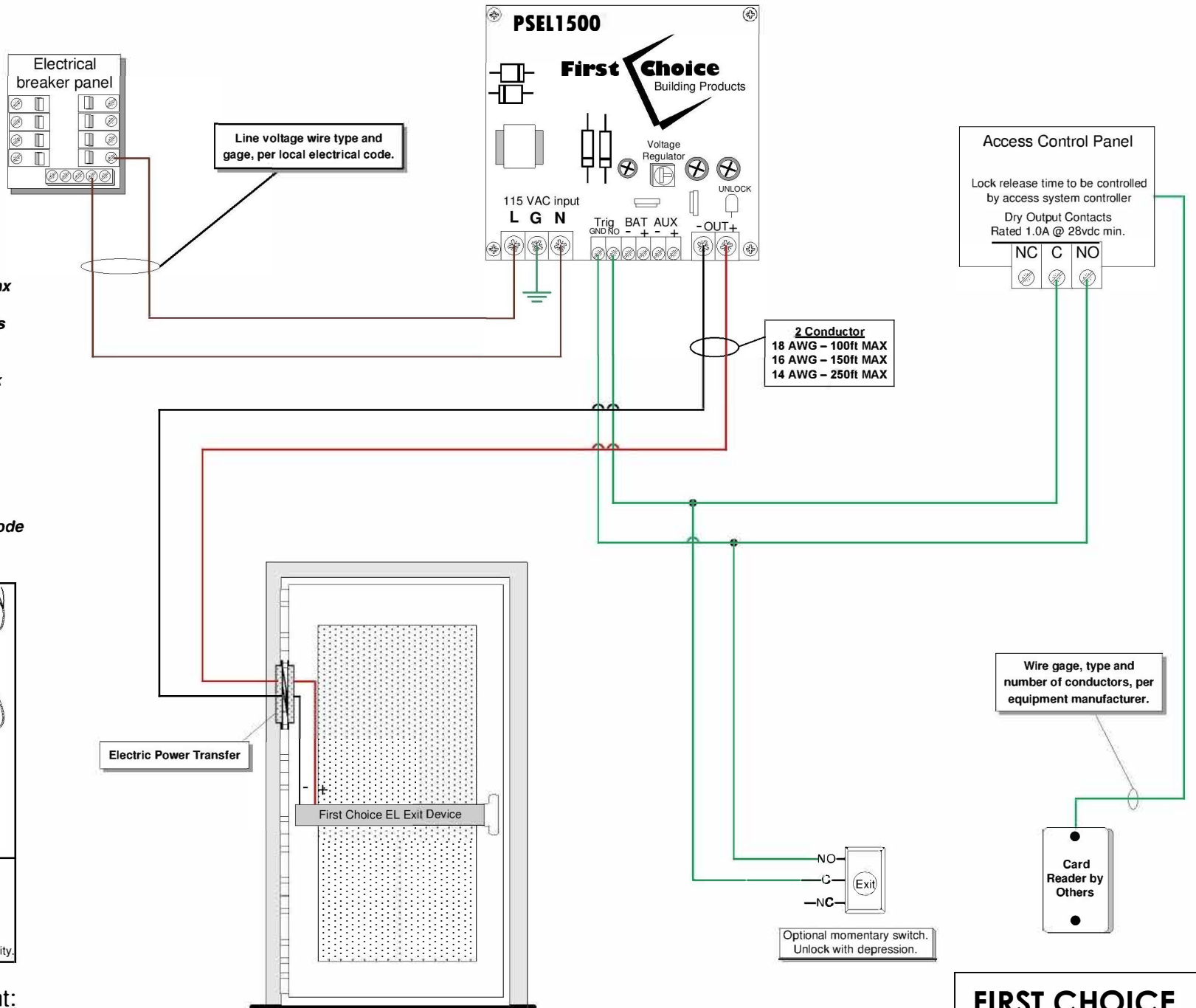
NOTE:
Optional power transfers are available. Please note variations in wire size and maximum run length for these options.

18 AWG - 75 ft max
16 AWG - 125 ft max
14 AWG - 200 ft max

NOTE:
Make certain to maintain consistent wire color across the transfer to maintain polarity.

Function Statement:

- From exterior - locked condition:** Access by presenting valid card to unlock door.
- From exterior - unlocked condition:** Door to remain locked unless held unlocked by access control system.
- From interior - locked condition:** Free egress at all times by means of exit device.
- From interior - unlocked condition:** Free egress at all times by means of exit device.



FIRST CHOICE
BUILDING PRODUCTS

REVISED: 2/25/2015