



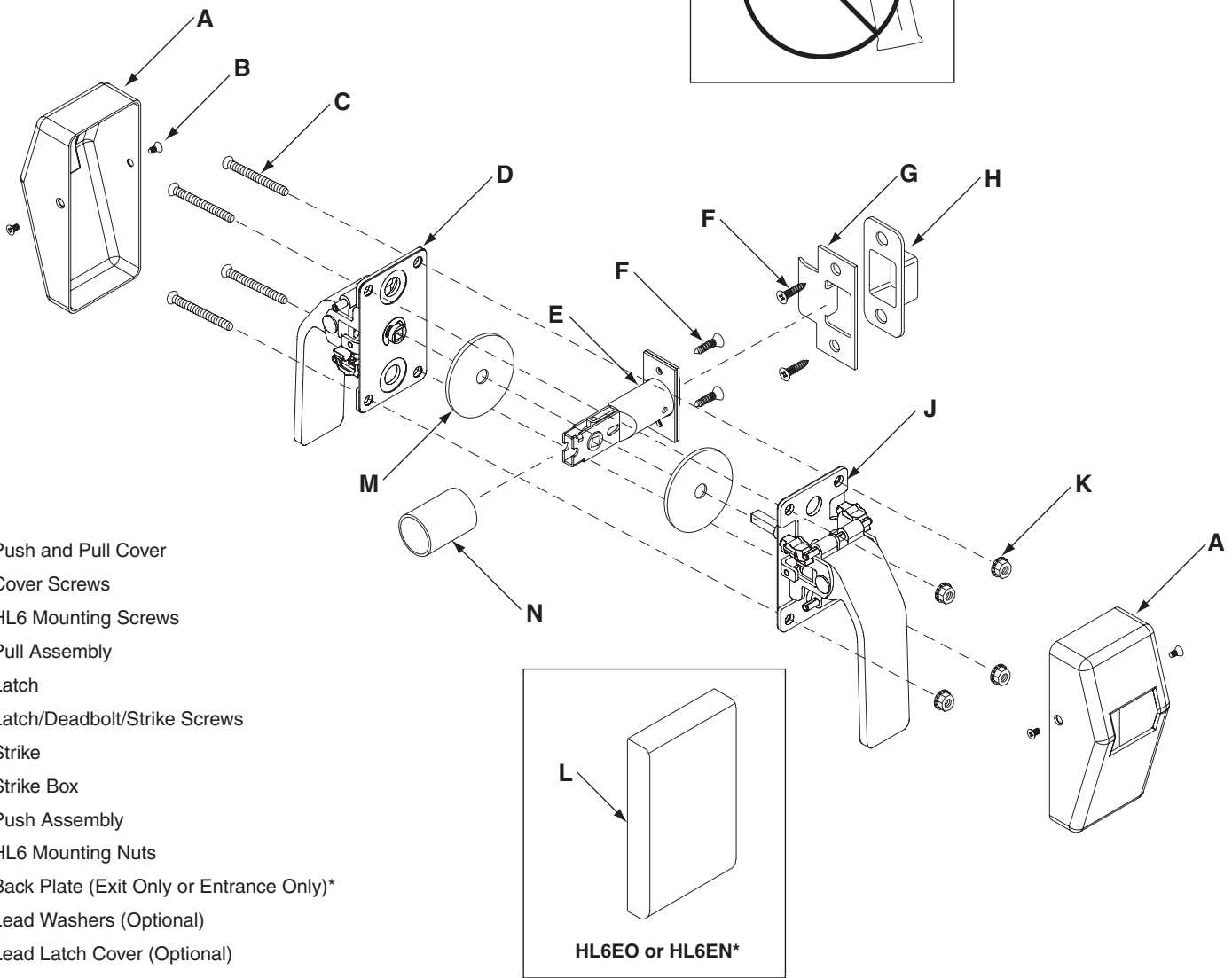
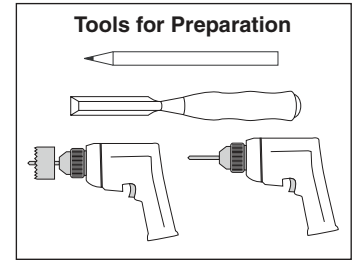
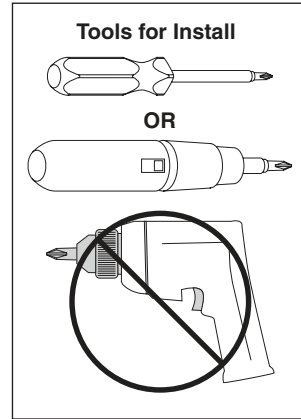
829694-00

# HL6

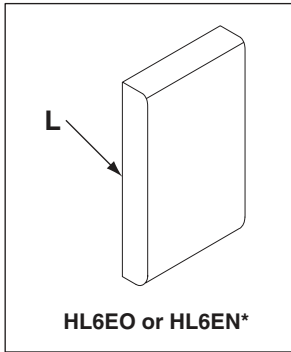


Push/Pull Latch

Installation Instructions



- A. Push and Pull Cover
- B. Cover Screws
- C. HL6 Mounting Screws
- D. Pull Assembly
- E. Latch
- F. Latch/Deadbolt/Strike Screws
- G. Strike
- H. Strike Box
- J. Push Assembly
- K. HL6 Mounting Nuts
- L. Back Plate (Exit Only or Entrance Only)\*
- M. Lead Washers (Optional)
- N. Lead Latch Cover (Optional)



\* Replaces item D or J

**Customer Service**  
 1-877-671-7011    www.allegion.com/us

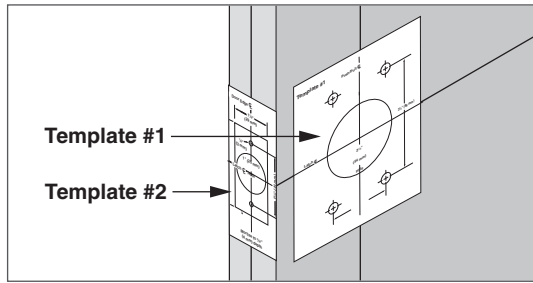


© Allegion 2018  
 Printed in U.S.A.  
 829694-00 Rev. 05/18-e

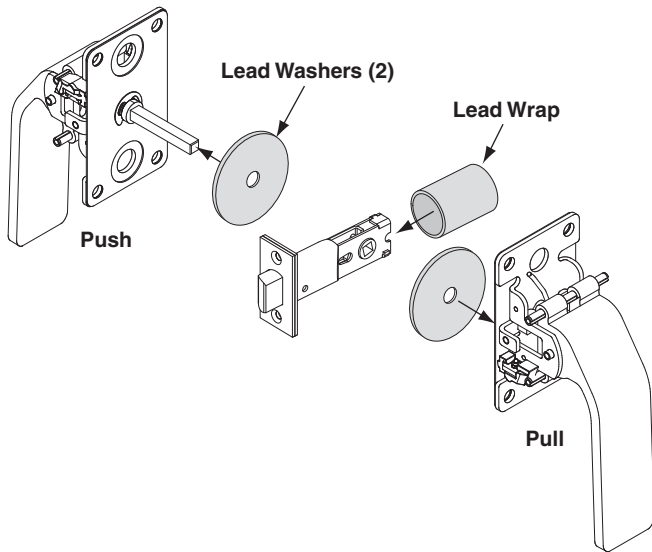
# 1 Install Latch

1a Use templates from back page to check holes.

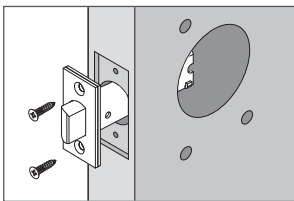
① **NOTE:** If door holes do not match template, see the Door Preparation section on the next page.



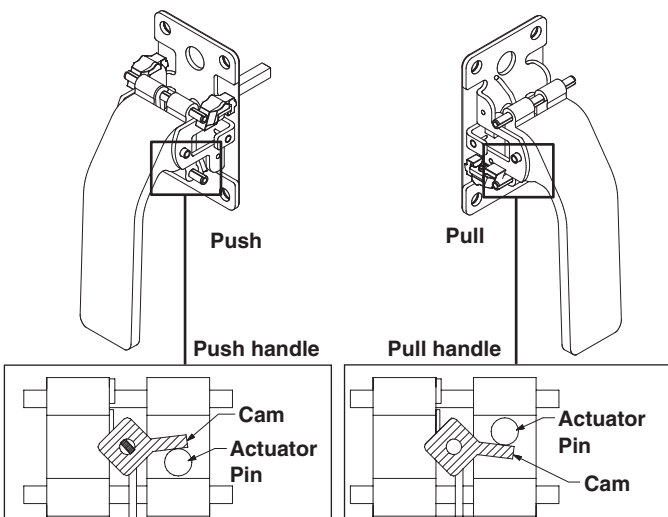
1b For HL6L (lead lined) ONLY, install lead lining.



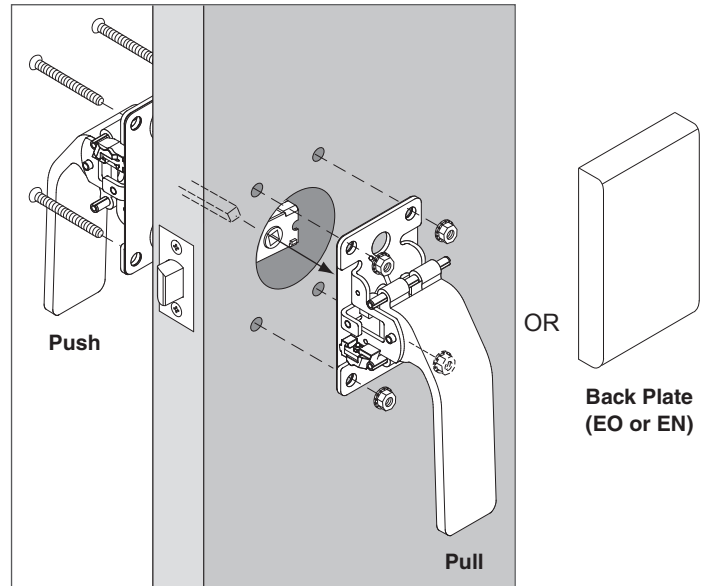
1c Install latch.



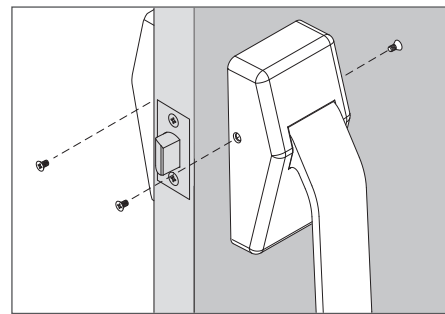
1d Position cams, as shown.



1e Install push lever and pull lever.

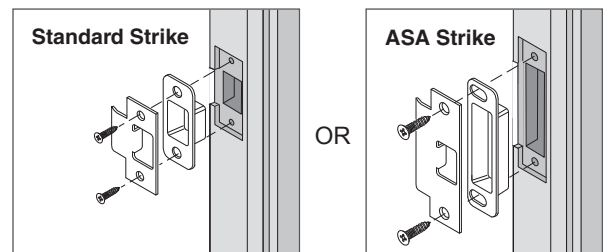


1f Place covers over levers. Install and tighten lever and cover screws.



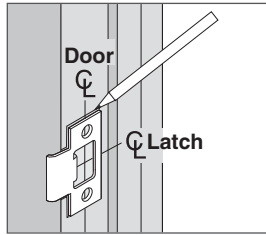
1g Install strike.

① **NOTE:** If frame is not prepared, see Frame Preparation on the next page.



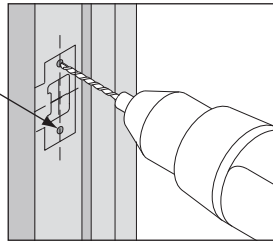
## 2 Frame Preparation

2a Use strike as a pattern to mark the frame.



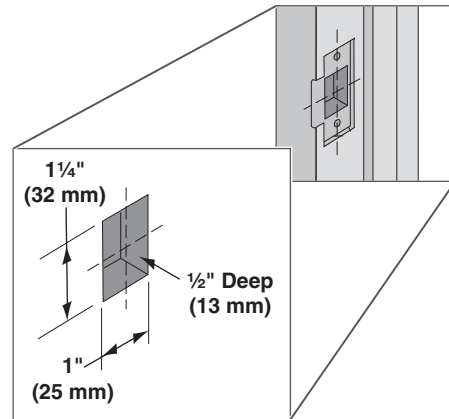
2b Drill holes.

<b>Standard</b>
Wood - #32 Pilot Drill
Metal - #29 Drill, #8-32 Tap
<b>ASA Strike</b>
Wood - 1/8" (3mm) Pilot Drill
Metal - #16 Drill, #12-24 Tap



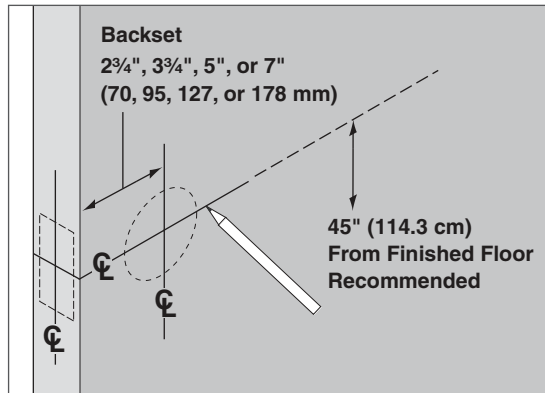
2c Mortise for strike.

① **NOTE:** Strike should be flush to frame.

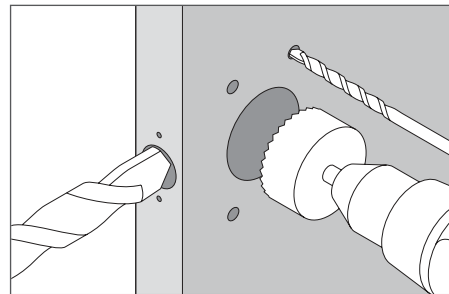


## 3 Door Preparation

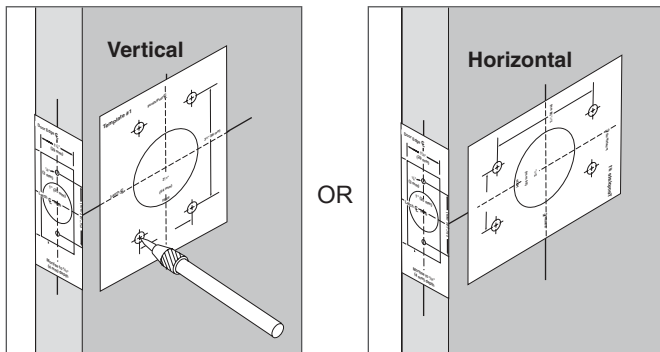
3a Mark center lines.



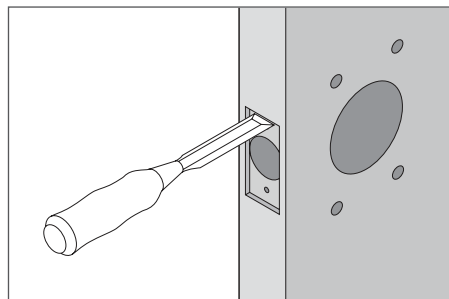
3c Drill holes, per the template.



3b Mark the door.

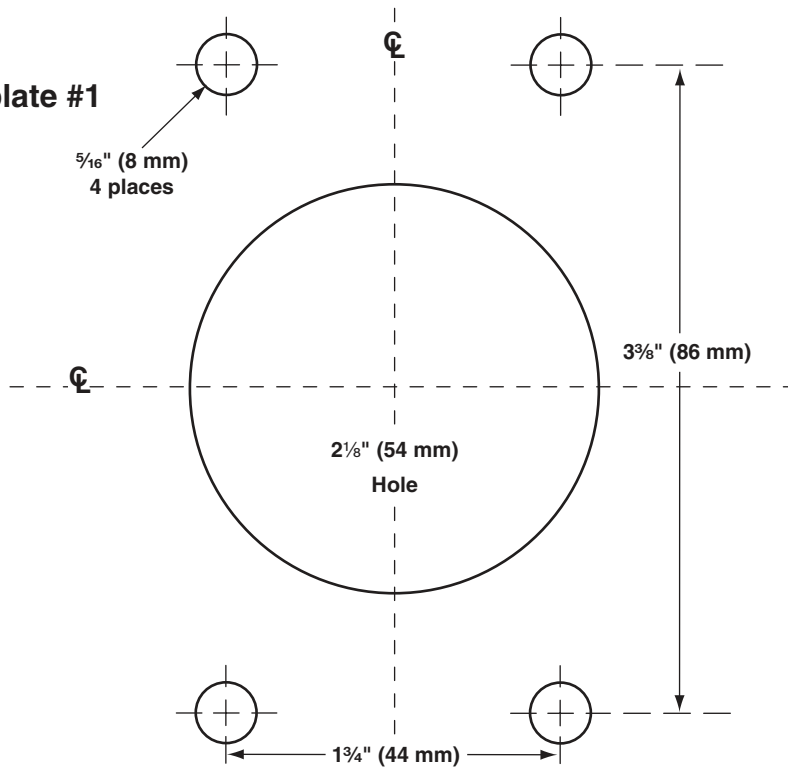


3d Mortise for the latch, per the template.

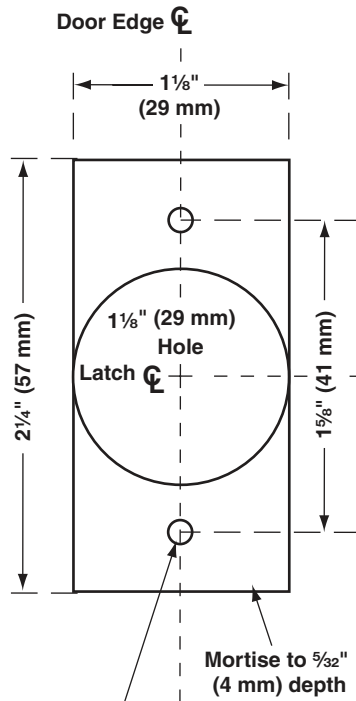


**Template #1**

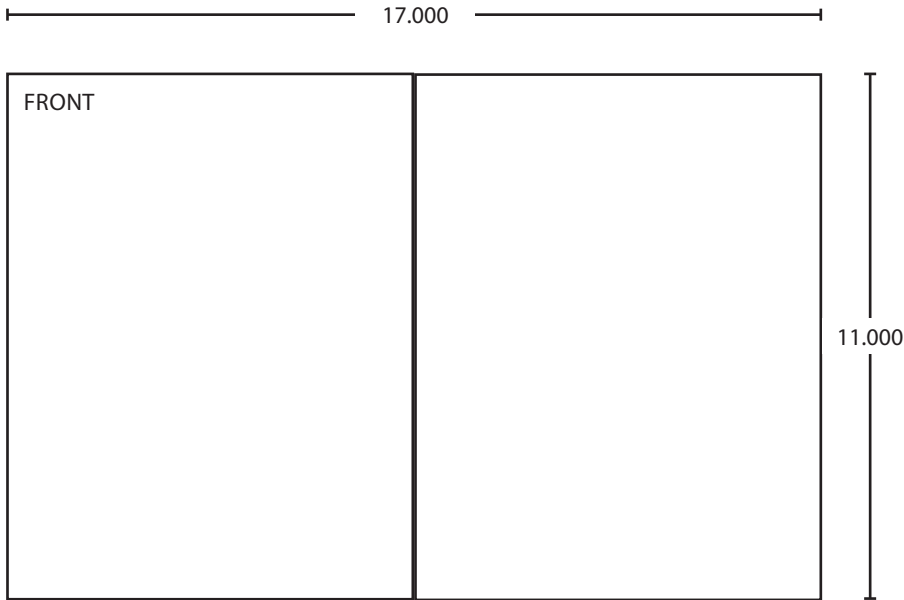
$\frac{5}{16}$ " (8 mm)  
4 places



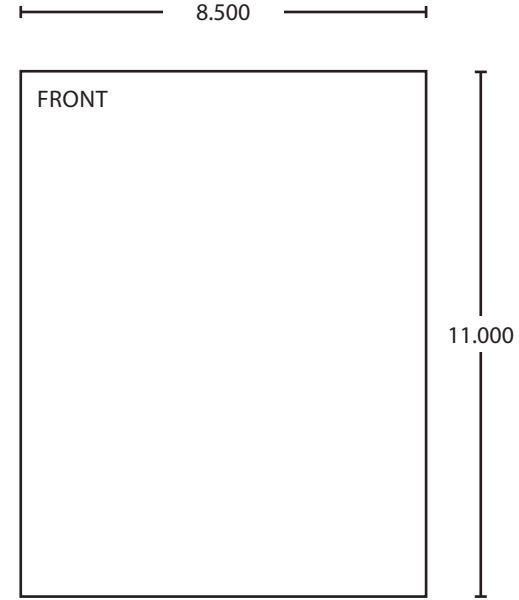
**Template #2  
(standard latch)**



Wood - #32 Pilot Drill  
Metal - #29 Drill, #8-32 Tap



BEGINNING SHEET



FINAL SIZE

Additional Notes:
1. Printed saddle-stitched booklet

Revision History						Revision Description: E > Revised artwork						
A	B	C	D	E	F							
N/A	N/A	N/A	075349	xxxxxx								
Material White Paper						Edited By D. Toppins		Approved By M. Sasso		EC Number xxxxx	Release Date 05-09-18	
Notes 1. printed two sides 2. Folded booklet style 2. printed black 3. tolerance ± .13 4. printed in country may vary 5. drawings not to scale						Title INSTALLATION INSTRUCTIONS HL6 PUSH/PULL LATCH						
						Creation Date 07-20-15		Number 829694-00			Revision E	
						Created By N/A		Activity 3899 Hancock Expwy Security, CO 80911		© Allegion 2018		
						Software: InDesign CS6						