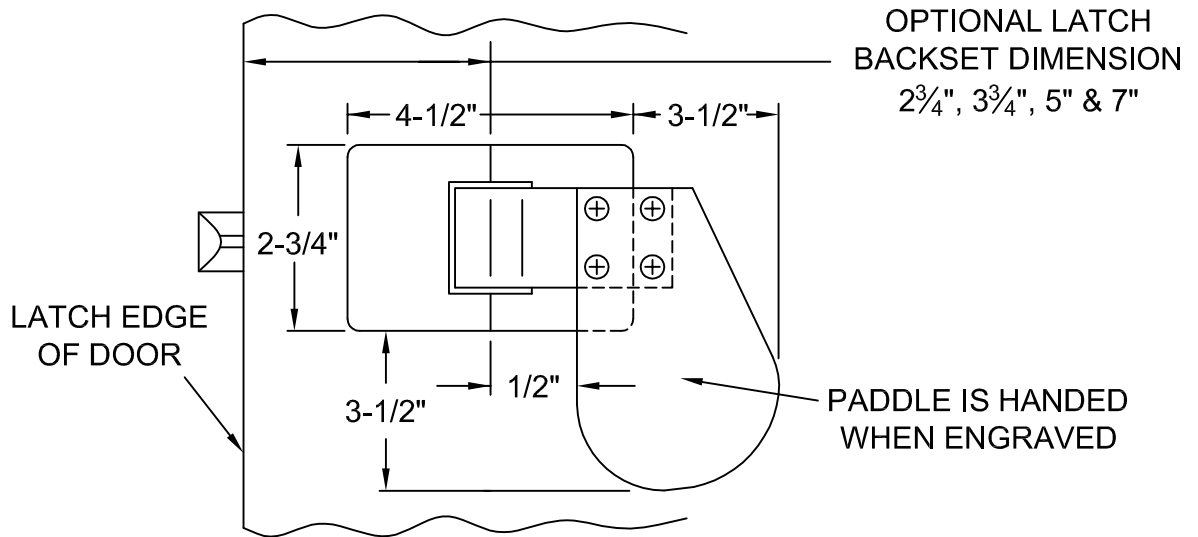
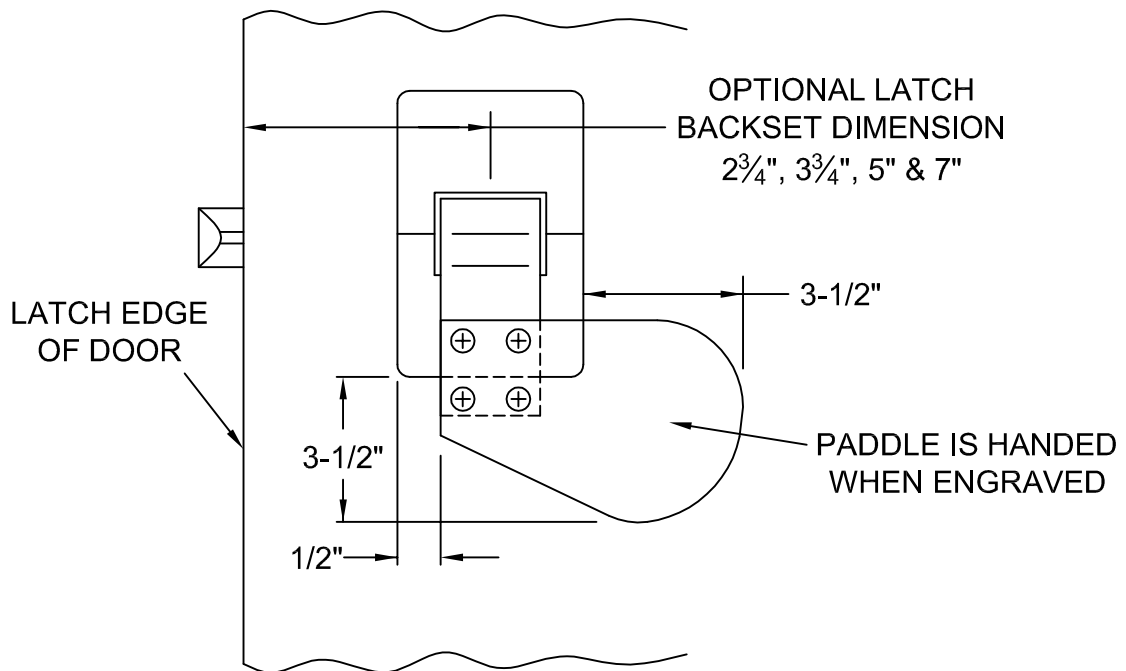


"H" SERIES PUSH/PULL WITH HIP PADDLE



HORIZONTAL MOUNTING - 6000, 6600, 6700



VERTICAL MOUNTING - 6000, 6600, 6700, 6800

NOTE:
 STANDARD 6000, 6600, 6700 & 6800 INSTALLATION USED.
 AFTER MOUNTING HANDLE ASSEMBLIES AND COVERS,
 ATTACH HIP PADDLE TO PUSH SIDE HANDLE WITH (4) SCREWS.
 PADDLE IS NON-HANDED UNLESS ENGRAVED.
DIMENSIONS ARE APPROXIMATE

PATENT No. 6,196,599 & 5,730,478



® www.abhmfg.com
 E-mail: abhinfo@abhmfg.com
 Architectural Builders Hardware Mfg., Inc.
 1222 Ardmore Ave., Itasca, IL 60143
 630.875.9900; FAX 800.9FAXABH (932.9224)

© 2013 ABH Mfg., Inc.
 printed in USA

H SERIES HIP PADDLE-00.DWG

"H" SERIES
 HIP PADDLE
 PAGE 1 OF 1
 ISSUED 09-03-13