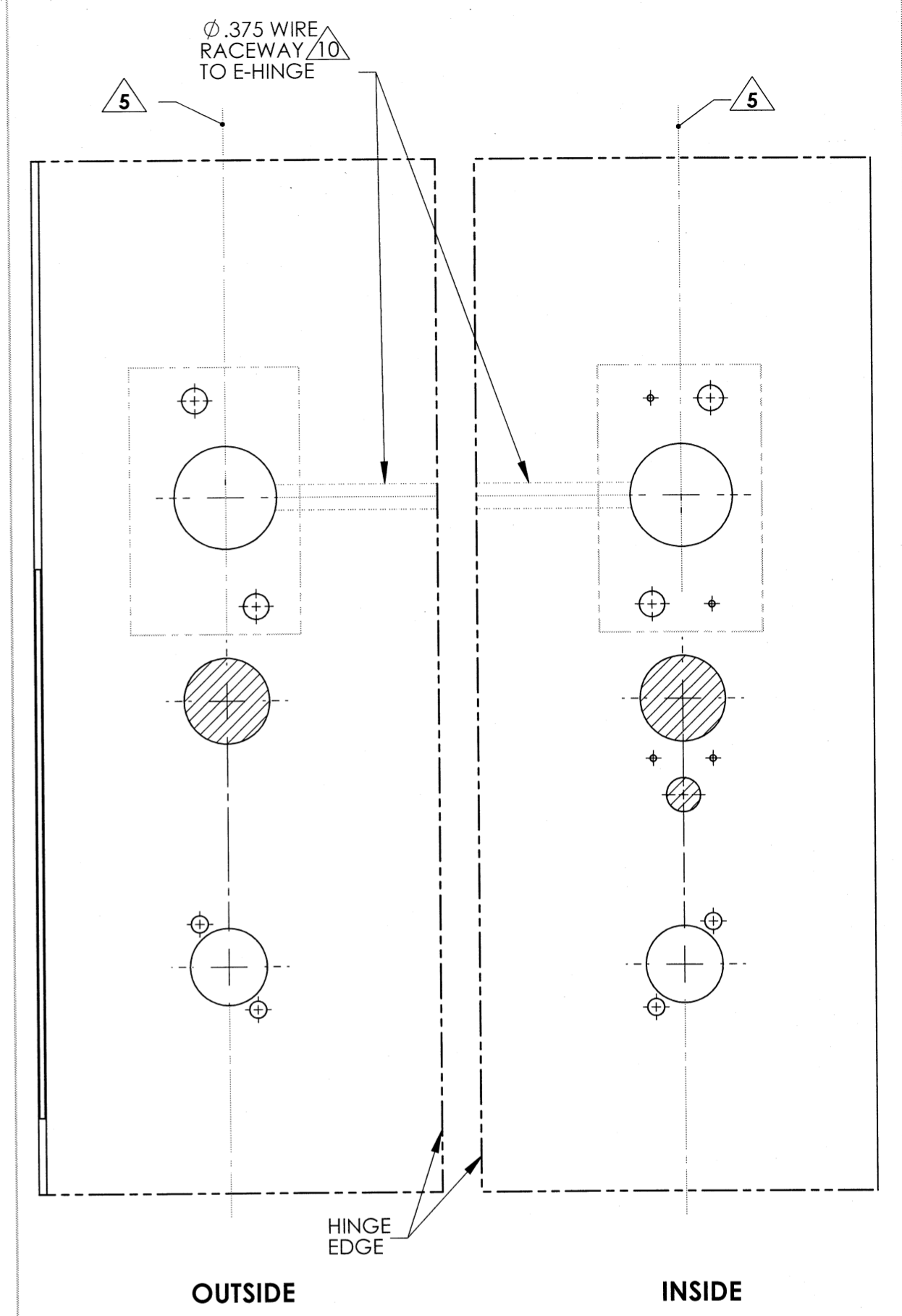
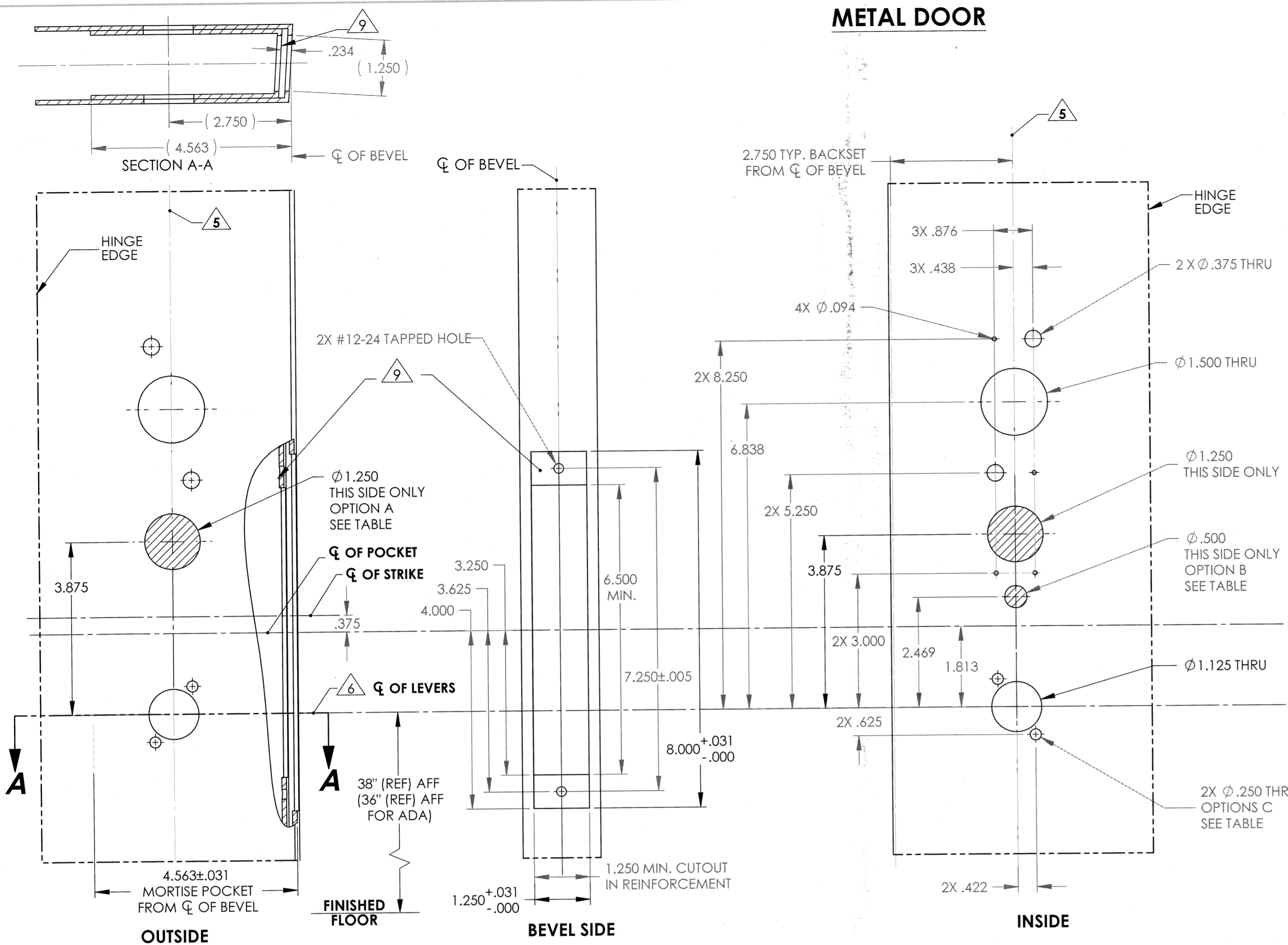


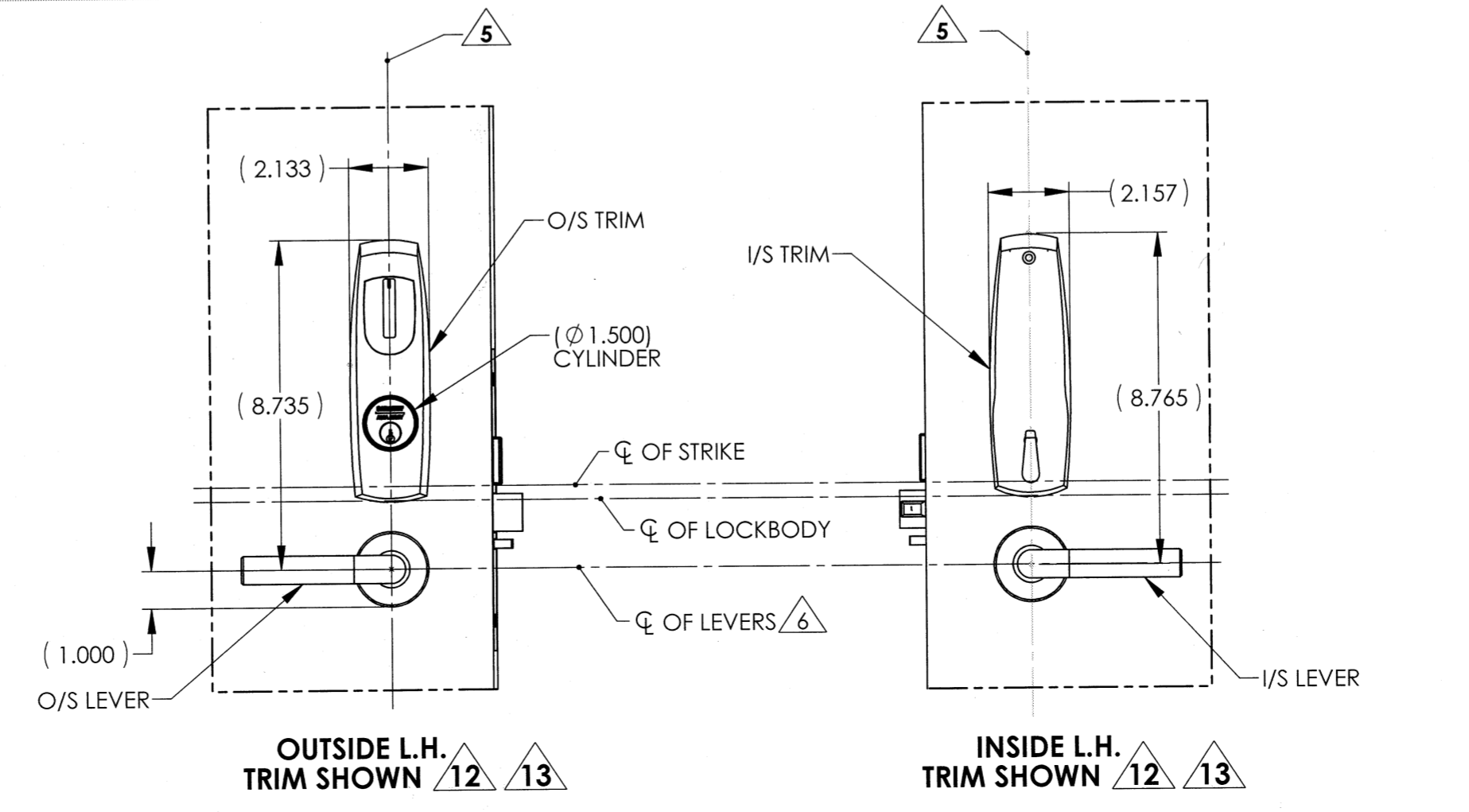
# METAL DOOR



L.H. & L.H.R.B. DOORS (L.H. SHOWN, L.H.R.B. HAS SAME FACE PREP)

R.H. & R.H.R.B. DOORS (R.H. SHOWN, R.H.R.B. HAS SAME FACE PREP)

- NOTES:
- DRAWING IS NOT TO SCALE.
  - PREPARATION DETAILS ARE IN SUPPLEMENT TO ANSI/BHMA A156.115 AND/OR A115W.
  - REFERENCE STRIKE TEMPLATE FOR DETAILS TO PREPARE FRAME.
  - FOR ELECTROLYNX APPLICATIONS, REFER TO MCKINNEY TRANSFER DEVICE CATALOG.
  - VERTICAL CENTERLINE IS REFERENCED FROM THE CENTERLINE OF THE BEVEL. (INDUSTRY STANDARD BEVEL IS 1/8 INCH IN 2 INCHES.)
  - CONSULT THE AUTHORITY HAVING JURISDICTION (AHJ) TO VERIFY THE RECOMMENDED MOUNTING HEIGHT ABOVE THE FINISHED FLOOR (AFF).
  - LIMITATIONS IN THE DOOR CONSTRUCTION PROCESS MAY REQUIRE SOME HOLES TO BE FIELD-LOCATED USING THE PHYSICAL PART AS A TEMPLATE.
  - STANDARD TOLERANCE OF  $\pm .015$  APPLIES TO ALL DOOR PREPARATION REQUIREMENTS, UNLESS OTHERWISE SPECIFIED.
  - DOOR REINFORCEMENT IS RECOMMENDED TO IMPROVE (SURFACE MOUNTED) FASTENER HOLDING POWER AND CRUSH RESISTANCE (WHEN THRU-BOLTING IS EMPLOYED). CONSTRUCTION TECHNIQUES SHOULD REFLECT INDUSTRY BEST PRACTICES (I.E. WDMA, SDI) AND AUTHORIZED METHODS WHERE LABEL SERVICE (I.E. UL, W-H) IS IN EFFECT.
  - WIRE RACEWAY AREAS SHOULD BE FREE OF OBSTRUCTIONS & SHARP EDGES TO PROTECT WIRES FROM CUTS & ABRASIONS.
  - CAREFULLY NOTE WHICH FEATURES ARE OPTIONAL, (WHETHER THE FEATURE APPLIES TO BOTH SIDES OF THE DOOR AND/OR IF A DEPTH APPLIES.)
  - MAXIMUM PRODUCT DIMENSIONS ARE SHOWN FOR THE PURPOSE OF VERIFYING FITMENT WITH DOOR FRAME STOPS, DOOR STILE SIZE & LIGHT/LOUVER KITS.
  - IF OPTIONAL LEVERS OR ROSES ARE USED REFERENCE THE RELATED PRODUCT DIMENSIONS TO VERIFY THE FITMENT REQUIREMENTS.



OPTION		USED FOR FUNCTIONS							
A	CYLINDER	X	X	X	X	X	X		
B	THUMB TURN			X	X	X	X		
R8200									
C	POST HOLES	DO NOT PREP							

BACKSET DEFINITION		DOOR HANDING		
BACKSET		L.H.	INSIDE	R.H.
			OUTSIDE	
			INSIDE	
		L.H.R.B.	OUTSIDE	R.H.R.B.

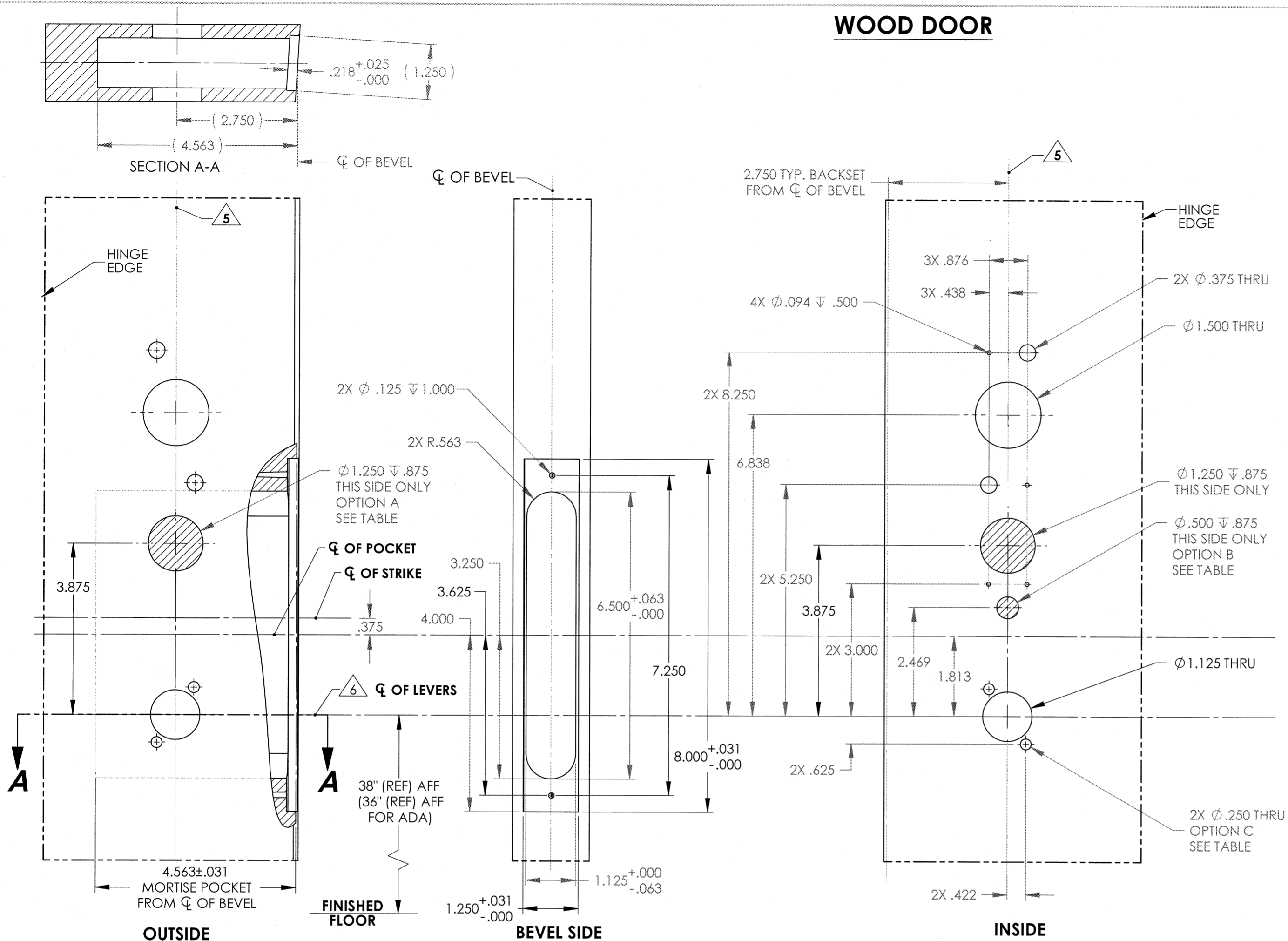
  

**SARGENT ASSA ABLOY** Sargent Manufacturing Company  
100 Sargent Drive New Haven, CT 06511

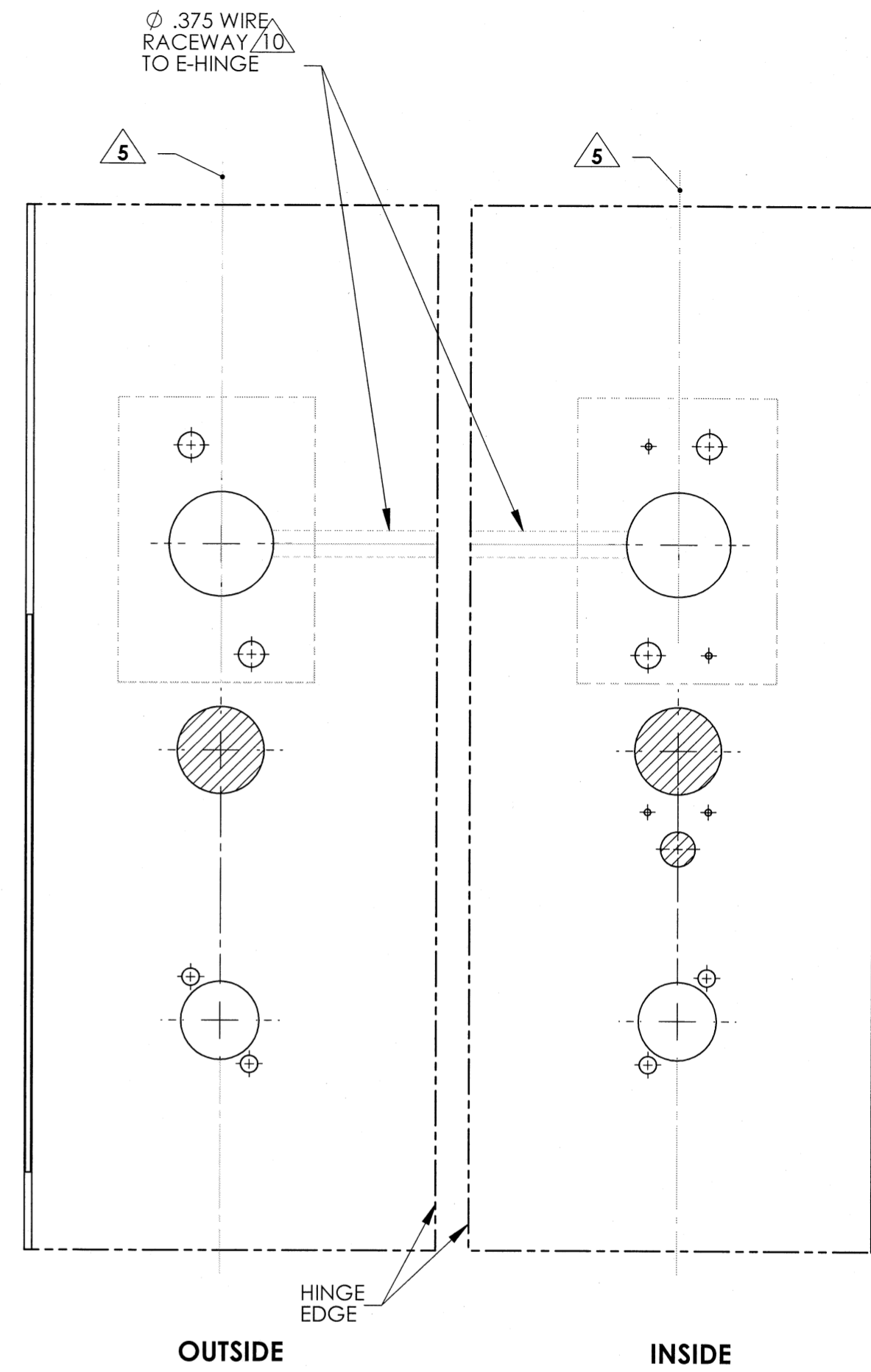
DOOR MANUFACTURERS TEMPLATE: HARMONY SERIES TRIM METAL DOOR H1/H2 - 8200 MORTISE LOCK SHEET 1 OF 2

RELEASE DATE: **JULY 29, 2014**  
TEMPLATE NO. 4590 G

# WOOD DOOR

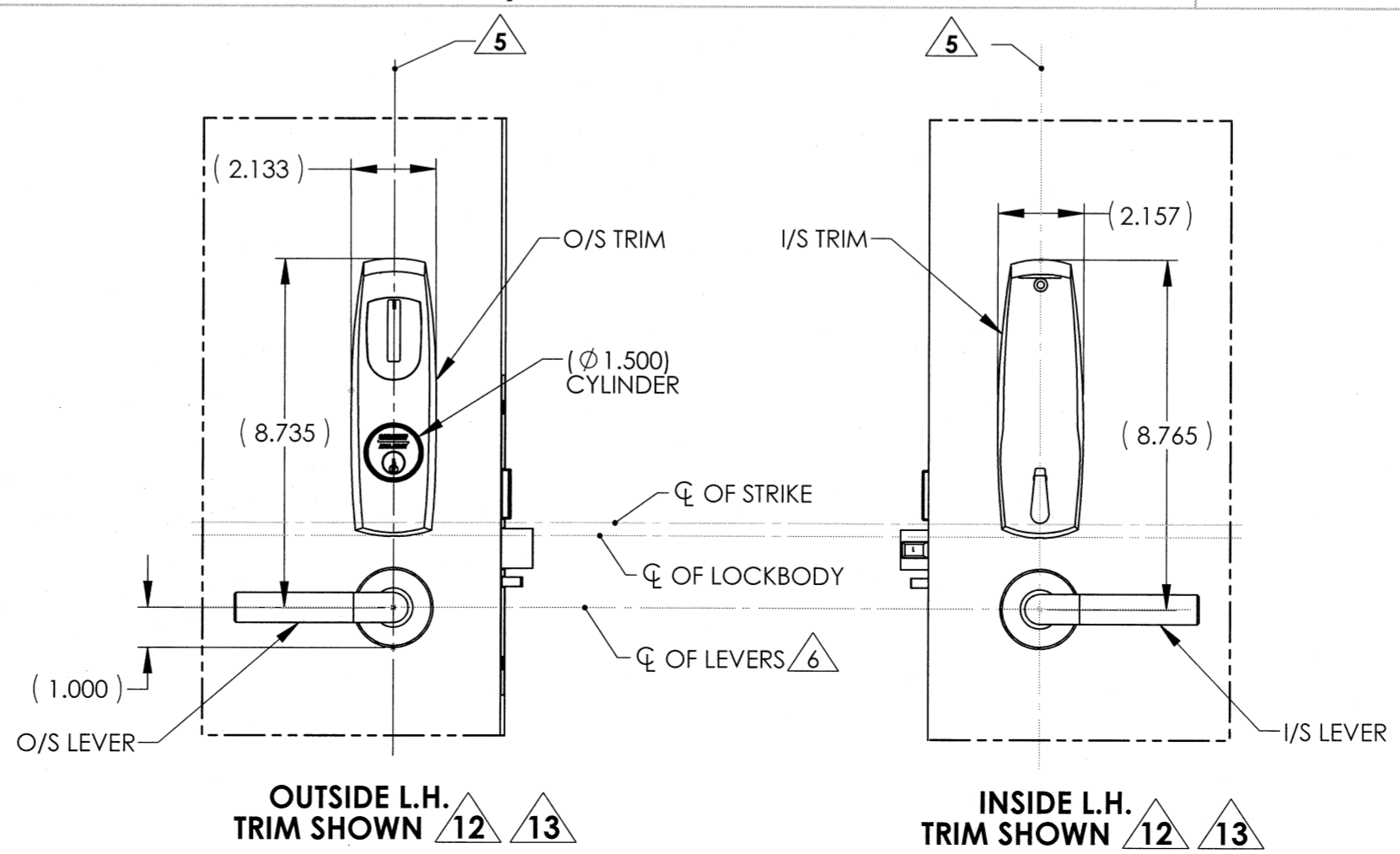


L.H. & L.H.R.B. DOORS (L.H. SHOWN, L.H.R.B. HAS SAME FACE PREP)



R.H. & R.H.R.B. DOORS (R.H. SHOWN, R.H.R.B. HAS SAME FACE PREP)

- NOTES:
- DRAWING IS NOT TO SCALE.
  - PREPARATION DETAILS ARE IN SUPPLEMENT TO ANSI/BHMA A156.115 AND/OR A115W.
  - REFERENCE STRIKE TEMPLATE FOR DETAILS TO PREPARE FRAME.
  - FOR ELECTROLYNX APPLICATIONS, REFER TO MCKINNEY TRANSFER DEVICE CATALOG.
  - VERTICAL CENTERLINE IS REFERENCED FROM THE CENTERLINE OF THE BEVEL. (INDUSTRY STANDARD BEVEL IS 1/8 INCH IN 2 INCHES.)
  - CONSULT THE AUTHORITY HAVING JURISDICTION (AHJ) TO VERIFY THE RECOMMENDED MOUNTING HEIGHT ABOVE THE FINISHED FLOOR (AFF). LIMITATIONS IN THE DOOR CONSTRUCTION PROCESS MAY REQUIRE SOME HOLES TO BE FIELD-LOCATED USING THE PHYSICAL PART AS A TEMPLATE.
  - STANDARD TOLERANCE OF  $\pm .015$  APPLIES TO ALL DOOR PREPARATION REQUIREMENTS, UNLESS OTHERWISE SPECIFIED.
  - DOOR REINFORCEMENT IS RECOMMENDED TO IMPROVE (SURFACE MOUNTED) FASTENER HOLDING POWER AND CRUSH RESISTANCE (WHEN THRU-BOLTING IS EMPLOYED). CONSTRUCTION TECHNIQUES SHOULD REFLECT INDUSTRY BEST PRACTICES (I.E. WDMA, SDI) AND AUTHORIZED METHODS WHERE LABEL SERVICE (I.E. UL, W-H) IS IN EFFECT.
  - WIRE RACEWAY AREAS SHOULD BE FREE OF OBSTRUCTIONS & SHARP EDGES TO PROTECT WIRES FROM CUTS & ABRASIONS.
  - CAREFULLY NOTE WHICH FEATURES ARE OPTIONAL, (WHETHER THE FEATURE APPLIES TO BOTH SIDES OF THE DOOR AND/OR IF A DEPTH APPLIES.)
  - MAXIMUM PRODUCT DIMENSIONS ARE SHOWN FOR THE PURPOSE OF VERIFYING FITMENT WITH DOOR FRAME STOPS, DOOR STILE SIZE & LIGHT/LOUVER KITS.
  - IF OPTIONAL LEVERS OR ROSES ARE USED REFERENCE THE RELATED PRODUCT DIMENSIONS TO VERIFY THE FITMENT REQUIREMENTS.



OUTSIDE L.H. TRIM SHOWN 12 13

INSIDE L.H. TRIM SHOWN 12 13

AUTHORIZED PREFIXES									
H1, H2									
OPTIONS TABLE									
OPTION	DESCRIPTION	USED FOR FUNCTIONS							
		82270	82271	82280	82281	82284	82285	82274	82275
A	CYLINDER	X	X	X	X				
B	THUMB TURN			X	X	X	X		
R8200									
C	POST HOLES	DO NOT PREP							
BACKSET DEFINITION				DOOR HANDING					
BACKSET				L.H.		R.H.			
TOP OF DOOR VERTICAL Q				INSIDE		OUTSIDE			
Q OF BEVEL				L.H.R.B.		R.H.R.B.			
<b>SARGENT ASSA ABLOY</b>		Sargent Manufacturing Company 100 Sargent Drive New Haven, CT 06511							
DOOR MANUFACTURERS TEMPLATE: HARMONY SERIES TRIM WOOD DOOR H1/H2 - 8200 MORTISE LOCK		RELEASE DATE: JULY 29, 2014		TEMPLATE NO. 4590 G					
SHEET 2 OF 2									