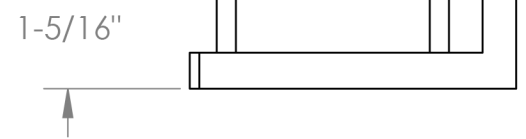
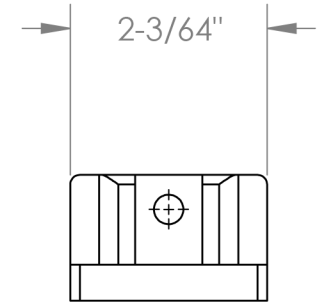
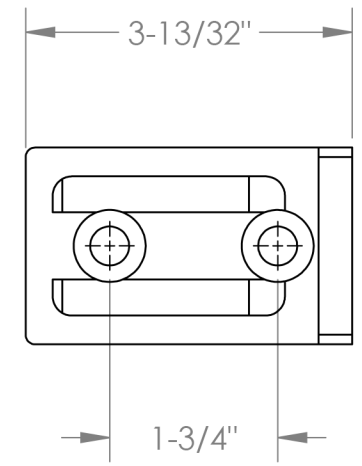


TOP VIEW OF TOP RETAINER



BOTTOM RETAINER

- NOTES:
1. FRACTIONAL DIMENSION TOLERANCE $\pm 1/64$ ".
 2. MOUNTING HOLES TO BE PREPARED AT INSTALLATION.

SARGENT ® Manufacturing Company 100 Sargent Drive New Haven, CT 06511	
METAL FRAME TEMPLATE FOR MULLIONS HC980, 12-HC980, 12-HD980 HCL980 & 12-HCL980	RELEASE DATE 26 NOV 2019
	TEMPLATE NO. 4627-3