

ASSA ABLOY
Opening Solutions

Experience a safer
and more open world

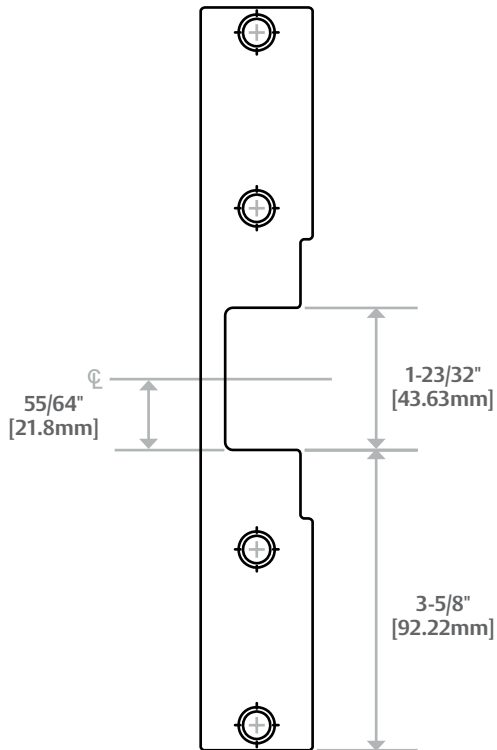
Electronic Security Hardware

HES | Securitron Product Catalog

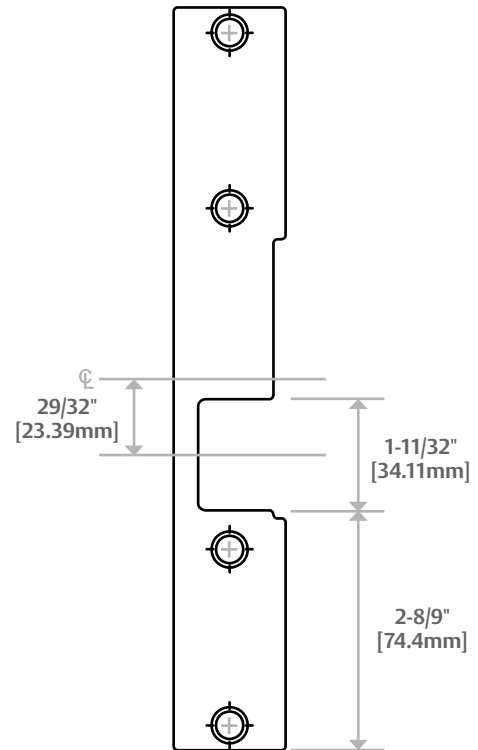


HES 1006 Series Faceplate Dimensions

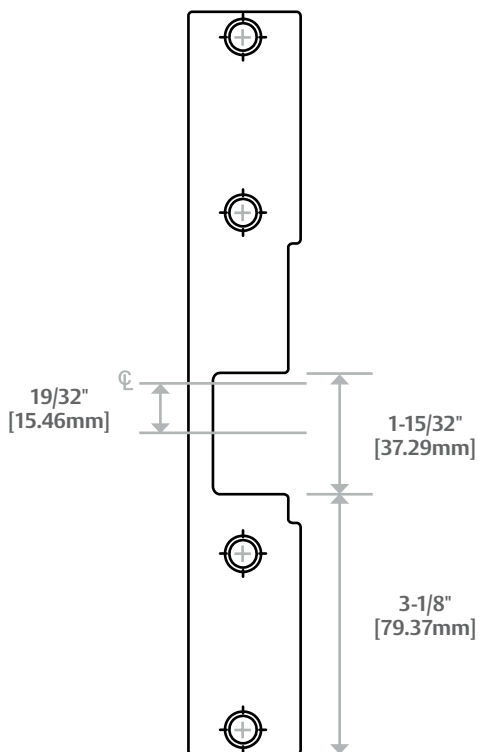
J-2
Faceplate Option



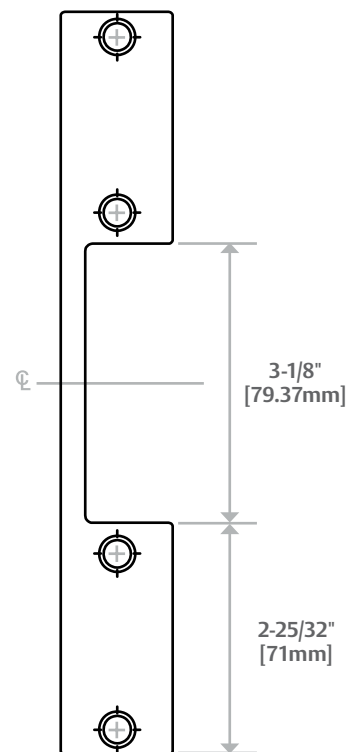
K-2
Faceplate Option



KM-2
Faceplate Option



N-2, H-2
Faceplate Option



HES[®] 1500 Electric Strike

Works with all brands of cylindrical and mortise locksets without a deadbolt

Also available in a Complete One Box Solution



The most advanced, modular electric strike that works with every brand of cylindrical or mortise locks designed to work with a 4-7/8" strike plate.

The HES 1500 Series Electric Strike sets a new standard in the industry by offering dynamic integrated adjustability and field configurable options compatible with any cylindrical or mortise lock. The modular design of the platform makes stocking and installing easier with interchangeable faceplates and accessories. For the first time, the aesthetics of an electric strike are complementary to other surrounding door hardware and blend in with the opening due to the fully finished design, available in seven finishes.

Features

Standard Features

- Stainless steel construction
- Tamper resistant
- Static strength 1,500 lbs
- Dynamic strength 70 ft-lbs
- Endurance 1 million cycles
- Field selectable fail safe/fail secure
- Non-handed
- Interchangeable faceplates and accessories
- Field replaceable components
- Fully finished faceplate, keeper, case and trim
- Field adjustable integrated shim
- Strike body depth 1-3/8" [34.9mm]
- SecuriCare ten-year, no-fault, no questions asked warranty

Optional Features

- **LM** Lock monitor
- **DLM** Dual lock monitors
- **LMS** Lock monitor and strike monitor
- **DLMS** Dual lock monitors and strike monitor

Accessories

- **157** Torx screws
- **HESCUT-MTK** Metal template kit
- **1500-104-xxx** Lip extension trim adapter (finish to match)
- **1500-106-xxx** 4500 adapter and trim enhancer kit (finish to match)
- **OPT-1SRK** Spring replacement kit
- **OPT-1LM** Single lock monitor
- **OPT-1DLM** Dual lock monitors
- **MOD-1SOL** Solenoid replacement module



Grade 1



SecuriCare
Warranty



Mortise Locks
without
Deadbolt



Cylindrical
Locksets



Field Selectable
(Fail secure
/Fail safe)



Dual Voltage
12/24



PoE
Friendly



Fire Rated



Windstorm
Resistant



Outdoor
Rated



Burglary
Rated