

HES® 4500C Electric Strike Complete Pac

ASSA ABLOY
Opening Solutions

Experience a safer
and more open world

The low profile, heavy duty, fire-rated solution.

Low Profile

- Maintains 1/2" drywall penetration, even in a 2" UL 10C fire-rated frame
- Strike body depth 1-3/8"
- Unique keeper locking pin design

Heavy Duty Construction

- Exceeds ratings for most frames, doors and locking hardware
- Stainless steel construction
- ANSI/BHMA A156.31, Grade 1

Convenient & Versatile

- Includes two faceplates to accommodate either cylindrical or mortise locksets up to a 3/4" throw latchbolt
- Full keeper shims for horizontal adjustment
- Field selectable fail secure / fail safe



Grade 1



SecuriCare
Warranty



Mortise Locks
without
Deadbolt



Cylindrical
Locksets



Field Selectable
(Fail secure
/Fail safe)



Dual Voltage
12/24



PoE
Friendly



Fire Rated



Burglary
Rated

Low Profile | Heavy Duty | Latchbolts

Specifications

Certifications

- ANSI/BHMA A156.31, Grade 1
- UL 1034 burglary-resistant listed
- UL 294 listed
- UL 10C fire-rated, 3 hour (fail secure only)
- CAN/ULC-S104 fire door conformant
- NFPA-252 fire door compliant
- ASTM-E152 fire door compliant
- California Fire Marshal listed

Frame Application

- Metal
- Wood

Electrical (DC Continuous Duty)

- Dual voltage 12/24 VDC/VAC
- 240 mA at 12 VDC/120 mA at 24 VDC
- PoE friendly

Features

Standard Features

- Stainless steel construction
- Tamper-resistant
- Static strength 1,500 lbs
- Dynamic strength 100 ft-lbs
- Endurance 1 million cycles
- Field selectable fail secure/fail safe
- Two faceplates provided to accommodate a variety of locksets

- Non-handed
- Internally mounted solenoid
- Accommodates up to a 3/4" latchbolt
- Strike body depth 1-3/8"
- Plug-in connector
- Trim enhancer
- Full keeper shims for horizontal adjustment
- SecuriCare five-year, no-fault, no questions asked warranty

Optional Features

- **LBM** Latchbolt monitor
- **LBSM** Latchbolt strike monitor

Accessories

- **4500-105** Trim enhancer – black
- **4500-110** Replacement strike plate
- **4500-131** Filler block – 7/16"
- **150** Strike latch guard
- **HESCUT-MTK** Metal template kit
- **2001M** Plug-in bridge rectifier
- **2004M** ElectroLynx® adapter
- **2005M3** SMART Pac® III
- **2006M** Plug-in buzzer
- **4501-1/2** 1/2" stackable lip extension
- **4501-1** 1" stackable lip extension

Dimensions

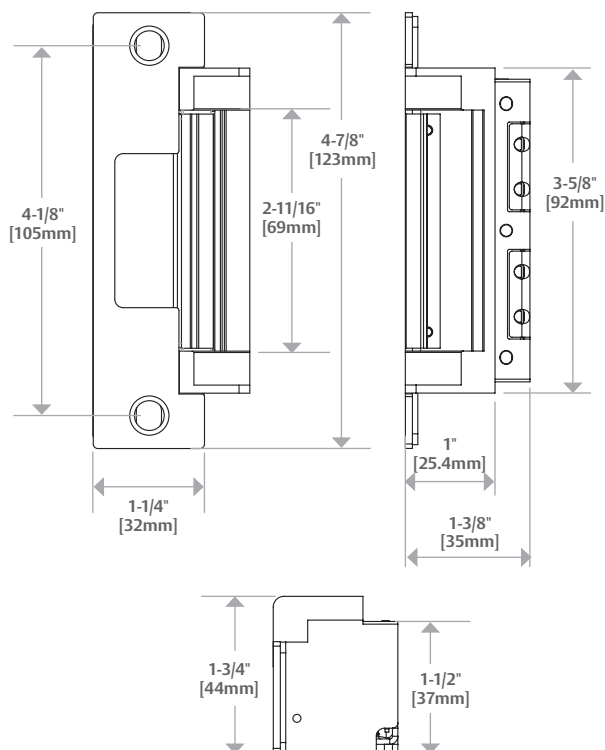


Diagram shown with cylindrical faceplate

How to Order

Series	Finish*	Option (s)
4500C	- 630	- LBM
4500C Complete Electric Strike; Includes faceplates for cylindrical and mortise locks	605 Bright Brass 606 Satin Brass 612 Satin Bronze 613 Bronze Toned 629 Bright Stainless Steel 630 Satin Stainless Steel	LBM Latchbolt Monitor LBSM Latchbolt Strike Monitor