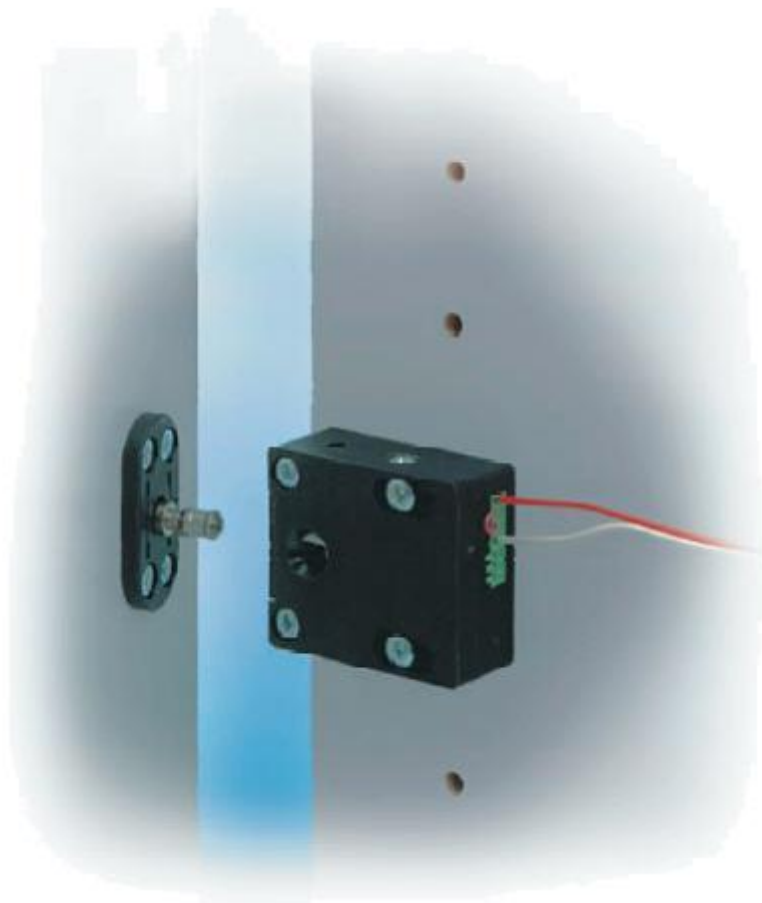




**610**  
**610LM**

---

**Mounting and Installation Instructions**  
**610 Cabinet Locks**



## Table of Contents

General Description .....	3
Functional Characteristics.....	3
Fail-unlocked and fail-locked operation .....	3
Setting of fail-unlocked or fail-locked operating mode .....	4
Mounting.....	4
Dimensioned Drawing.....	4
Mounting Instructions .....	4
Positioning of Compact Lock and Rosette .....	5
Mounting Examples .....	6
Electric Supply.....	6
Connecting Diagram.....	7
Technical Data.....	7

## General Description

The compact locking units, 610 and 610LM, have been developed especially for locking furniture. They can also be used instead of usual mechanical lockings or additionally as an access control system to prevent unauthorized access to valuables or certain documents.

The compact locking units can be used for locking filing cabinets, fitted cupboards, drawers, post office boxes / safe-deposit boxes, and glass cabinets, for example.

The simplest way to operate the access control system is by means of a key switch. If it is necessary to electronically control, register and monitor the access control system. The compact locking unit can be combined with a code or card reader system.

The RR version additionally incorporates a change-over contact for monitoring the state of the door (open/closed).

Taking into account the varied possibilities to use the compact locking unit, it can be operated in the fail-unlocked mode as well as in the fail-locked mode.

The field reversibility is easily executed in no time during the installation of the unit by positioning the rosette accordingly.

Due to the integrated mechanism that keeps the door closed, the door of a filing cabinet, for example, is kept close even if it is unlocked. Consequently, additional mechanisms for keeping the door closed (e.g., magnetic snaps) are not required.

## Functional Characteristics

The compact locking unit 610/610LM consists of two parts. Part 1 is the locking element which is, for example mounted laterally to a safe deposit box. Part 2 is the rosette which is installed at the door.

When the door is closed, the locking bolt of the rosette engages the locking element and the safe deposit box is locked. If the safe deposit box must be opened, the compact locking element must be unlocked electrically first.

According to the requirements, the compact locking unit can be installed for front or top engagement of the rosette (see Figure 1).

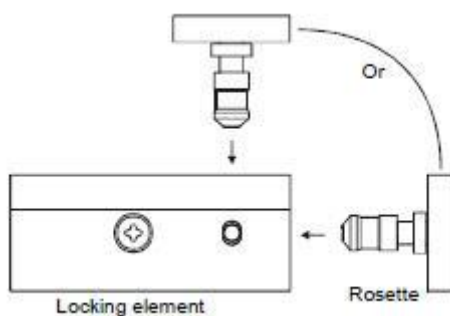


Figure 1 Locking principle

## Fail-unlocked and fail-locked operation

The difference between the fail-unlocked and the fail-locked operating mode is the following: the fail-unlocked version must be energized in order to be locked, whereas the fail-locked version must be energized in order to be unlocked.

**Note:** Fail-locked operation means that in the event of power failure, unlocking is impossible and consequently the door cannot be opened.

### Setting of fail-unlocked or fail-locked operating mode

Two pictograms are printed on the rosette, one for fail-unlocked and one for fail-locked mode (see Figure 2). For operation in the fail-unlocked mode, the mark on the locking element must point to the fail-unlocked pictogram of the rosette. For operation in the fail-locked mode, the mark must point to the fail-locked pictogram.

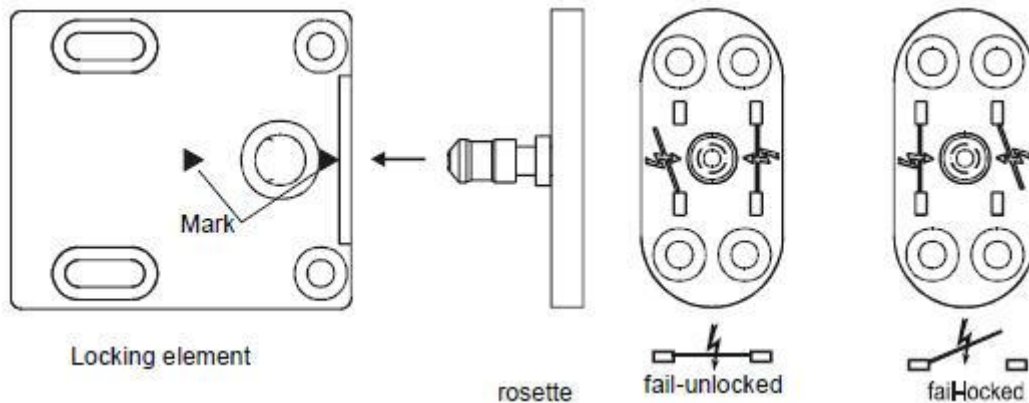


Figure 2 Alignment of the rosette

### Mounting

**Caution:** Mounting and adjustment should be performed only when the rosette is in the fail-unlocked position in case the compact locking unit cannot yet be unlocked electrically. Otherwise, it will no longer be possible to open the door or the drawer.

Four cylindrically countersunk mounting holes each are provided for mounting the locking element as well as the rosette. See the drawing for the position of mounting holes. Reducing bushes, screws, and washers are included in the mounting material supplied.

Before fastening the two washers of special steel with screws, they must be placed into the elongated holes of the locking element.

### Dimensioned Drawing

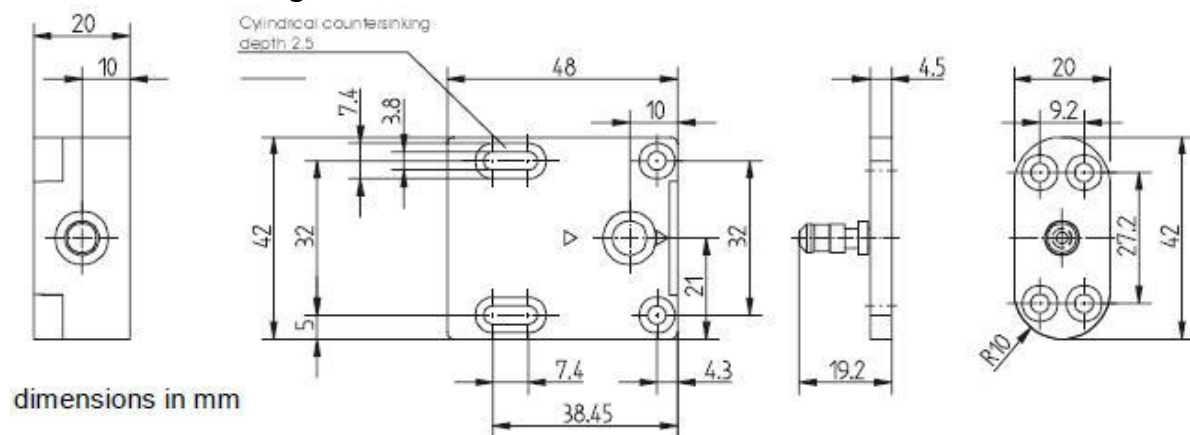


Figure 3 Dimensioned drawing

### Mounting Instructions

The locking element and rosette must be aligned as shown in Figure 4 (flush). When closing the door or drawer, the locking bolt of the rosette must be able to engage the locking element unimpededly and completely. Furthermore, no tensile force caused by the door or the drawer respectively, must act on the locking element. The rosette can be fixed by screws and is also suitable for flush mounting. The adjustment of locking element and rosette must be handled by means of the

elongated holes in the locking element. An adhesive film (adhesive on both sides) is supplied which can be stuck to the back of the rosette. This will help you to find the correct position of the rosette.

After fixing the adhesive film, the rosette must be put into the mounted locking element with fail-unlocked setting and the door must be closed. When the door is opened again, the rosette sticks in the correct position. After marking the drilling points, the rosette must be turned through 180°.

**Caution:** Under no circumstances must the rosette be mounted as shown in Figure 5, i.e., turned through 90°. If the locking bolt of the rosette engaged the locking element that way, it will no longer be possible to open the door or drawer.

### Positioning of Compact Lock and Rosette

Correct positioning: The locking bolt of the rosette engages the locking element unimpededly and completely.

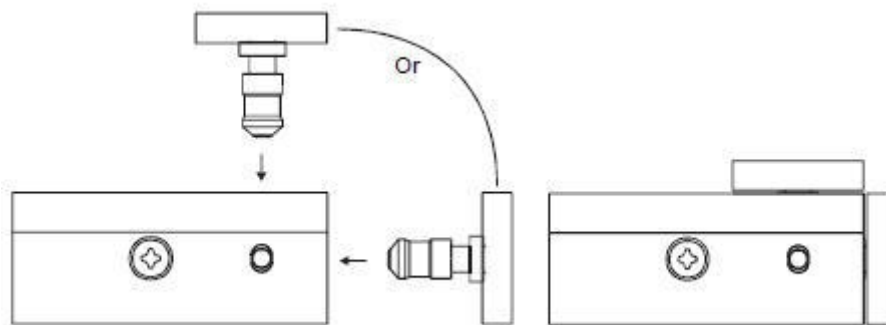


Figure 4 Mounting instruction – correct positioning

Wrong positioning: The rosette turned - through 90°.

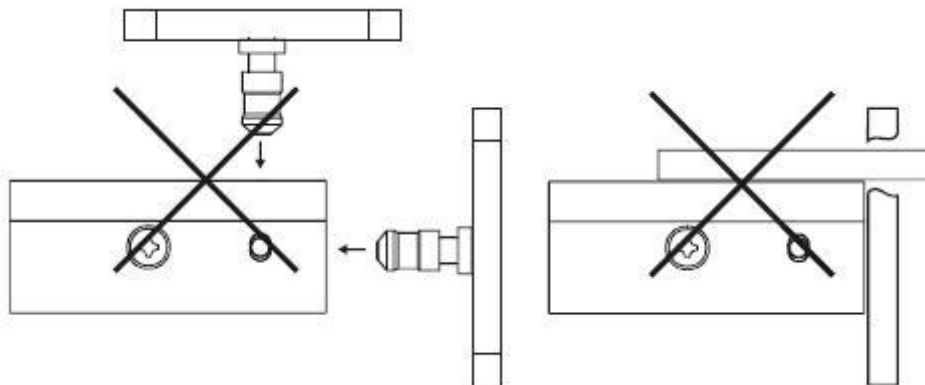


Figure 5 Mounting instruction – wrong positioning

## Mounting Examples

Figures 6 and 7 below show how to mount the compact locking unit to a desk with drawers or to a fitted cupboard

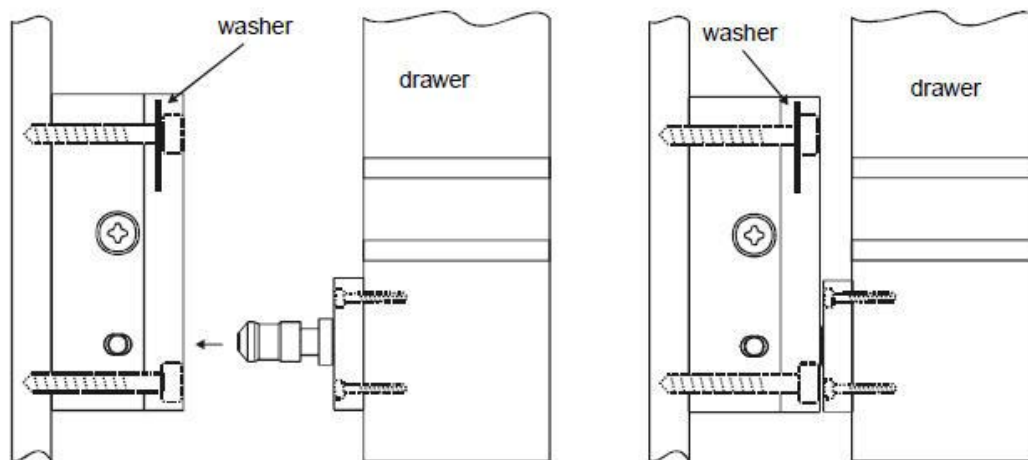


Figure 6 Mounting to a drawer

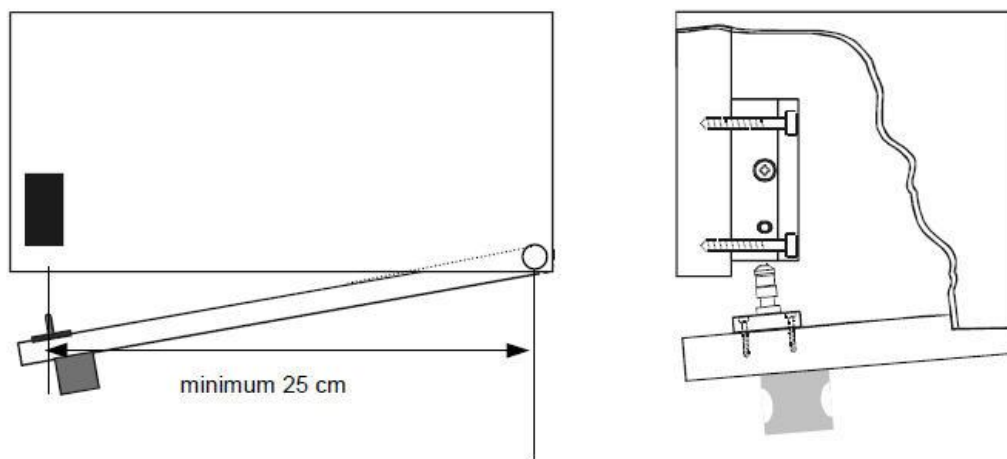


Figure 7 Mounting to a fitted cupboard

An accessories bag is supplied with the compact locking unit. This bag contains fixing screws and washers for the locking element and the rosette as well as reducing bushes for the installation in existing bore holes.

## Electric Supply

With regard to continuous duty operation, the compact locking units 610 and 610LM must be operated with stabilized DC, 12 V or 24 V. Unlocking by AC is possible, however, it is not recommended due to the buzzing sound caused. Connections must be effected according to the connecting diagram (see Figure 8). The necessary jumpers as well as the diodes are included in the accessories bag.

Model 610LM additionally incorporates a change-over contact which monitors the state of the door (open/closed).

When determining the wiring please take into consideration that the supply voltage – measured at the terminals – is not lower than the minimum indicated.

## Connecting Diagram

Instructions for connection:

1. Loosen the screws of the required terminals by turning them counter-clockwise (3-4 turns).
2. Insert the lead into the terminal.
3. For fastening the terminal re-tighten the screws by turning them clockwise.

**\*Only for DC** – if the compact locking unit is operated at an electric device with DC, an additional recovery diode must be connected in parallel to the coil.

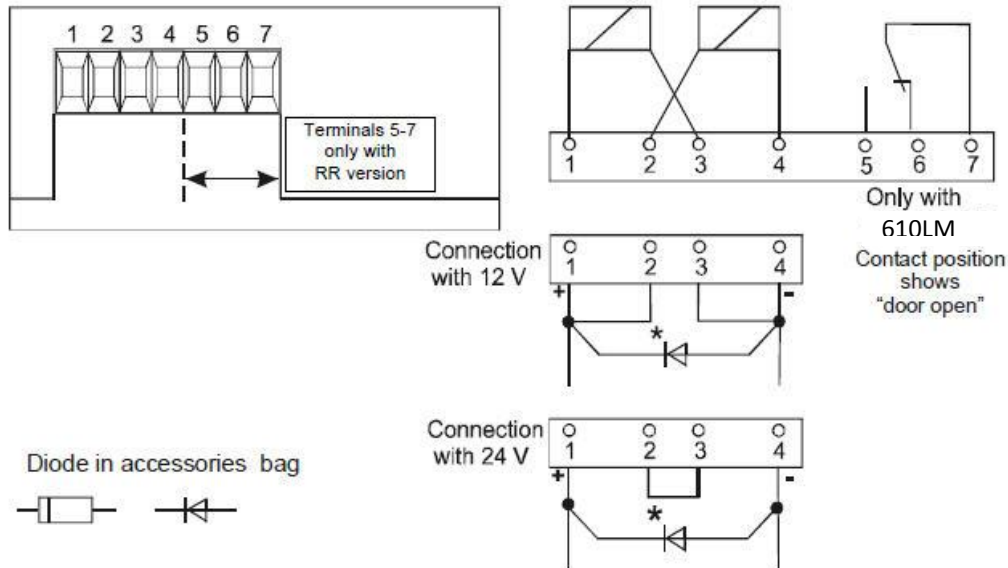


Figure 8 Connection possibilities

## Technical Data

<b>Mode of Operation</b>	Fail-unlocked or fail-locked operation momentary or continuous unlocking			
<b>Operating Voltage</b>	12V DC stab.	12V AC buzzing sound	24V DC stab.	24V AC buzzing sound
<b>Connecting Voltage</b>	Operating voltage $\pm 10\%$			
<b>Current Consumption Typ.</b>	260 mA	140 mA	130 mA	70 mA
<b>Max. Cap. of the LM Contact</b>	25 V/ 1A			
<b>Holding force</b>	200 lbs			
<b>Housing Temperature</b>	Continuous energization: approx. 60°C			
<b>Temperature Range</b>	+10°C - +40°C			
<b>Dimensions in mm (L x W x H) locking element w/o rosette</b>	48 x 42 x 20			

---

10027 S. 51<sup>st</sup> Street, Ste 102  
Phoenix, Arizona 85044  
(800) 626-7590 Fax: (800) 232-7329



ASSA ABLOY, the global leader in door opening solutions  
Part number: 3083006.001