

ASSA ABLOY
Opening Solutions

Experience a safer
and more open world

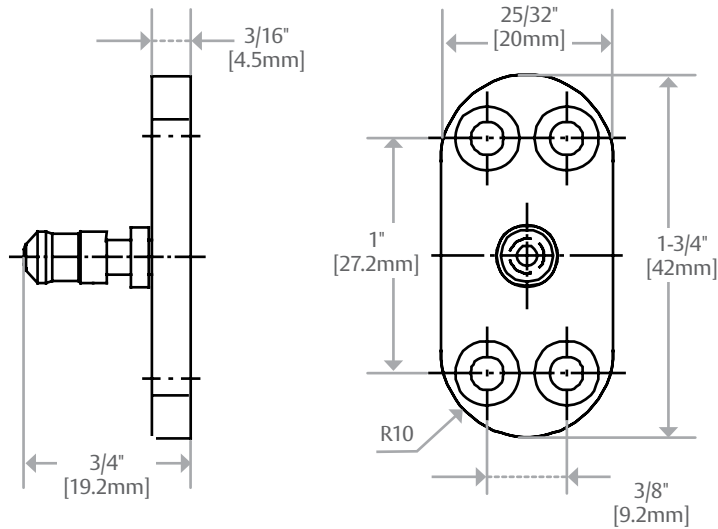
Electronic Security Hardware

HES | Securitron Product Catalog



HES 610 Series Cabinet Lock

Dimensions



Specifications

Electrical

- Dual Voltage 12/24 VDC/VAC
- Monitored contact rating 25V / 1A
- 260mA at 12 VDC / 130mA at 24 VDC
140mA at 12 VAC / 70mA at 24 VAC

Holding Force

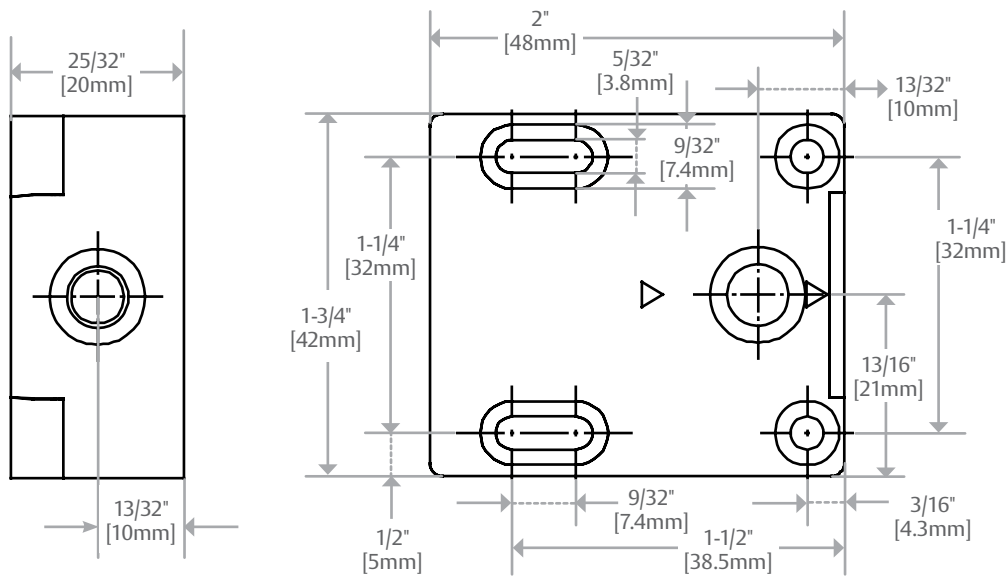
- Static Strength 200 lbs

Environmental

- Operational Temperature 14° to 104° F [-10° to 40° C]
- IP20 Rated
- Indoor Use

How to Order

Series	Option (s)
610	- LM
	(blank) No Monitoring
	LM Locked state monitoring



HES[®] 660 Cabinet Lock

*The strongest surface mounted,
multi-purpose locking solution*



With over 1,000 lbs of static holding force.

The HES 660 Cabinet Lock is available with or without locked state monitoring and a preload release function allowing for smooth functional operation under a variety of environmental conditions. Strong, convenient and flexible, it is ideal for corporate and government applications including lockers, cabinets and display cases.

Features

Standard Features

- All metal construction
- Adjustable mounting brackets with final lockdown feature
- 6 foot cable lead
- Fail Secure (standard)
- SecuriCare three-year, no-fault, no questions asked warranty

Optional Features

- **Preload** (up to 15 lbs)
- **LBSM** Locked state monitoring
- **LBSM Preload** Locked state monitoring with preload

Accessories

- **KO** Key override



3
Year
SecuriCare
Warranty



Swinging
Door



Drawers



PoE
Friendly



Preload