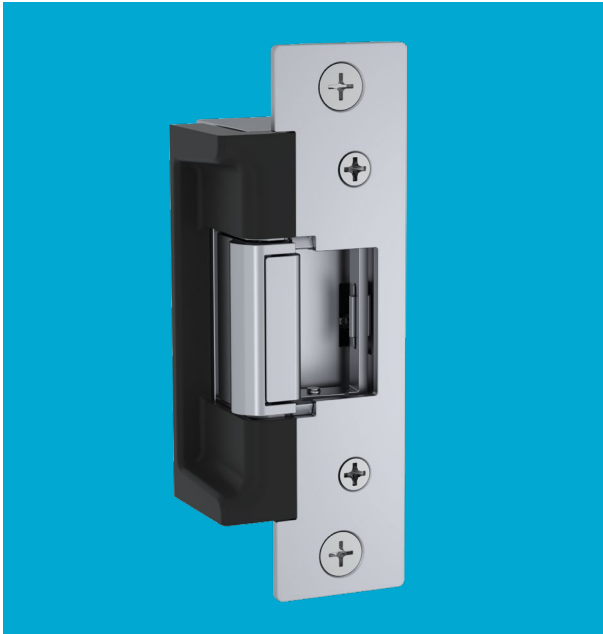


HES[®] 7000 Electric Strike

ASSA ABLOY

The global leader in
door opening solutions



The dual, preload solution for cylindrical latchbolts and rim exit devices.

Preload Capable

- Preload release function allows smooth operation under loads on the door that often bind other electric strikes
- Accommodates up to 15 pounds of preload (fail secure only)
- Ideal for applications with preload caused by air-conditioning pressure, changes in the weather, warped doors or doors with weather stripping

Robust and Reliable

- ANSI/BHMA A156.31, Grade 1
- Static strength 1,500 lbs, Dynamic strength 70 ft lbs
- Endurance 1 million cycles

Versatile Design

- Works with both cylindrical latchbolts up to 5/8" throw
- Field selectable fail secure/fail safe
- Non-handed and includes plug in connector



Grade 1



SecuriCare
Warranty



Cylindrical
Locksets



Rim Exit
Devices



Field Selectable
(Fail secure
/Fail safe)



Dual Voltage
12/24



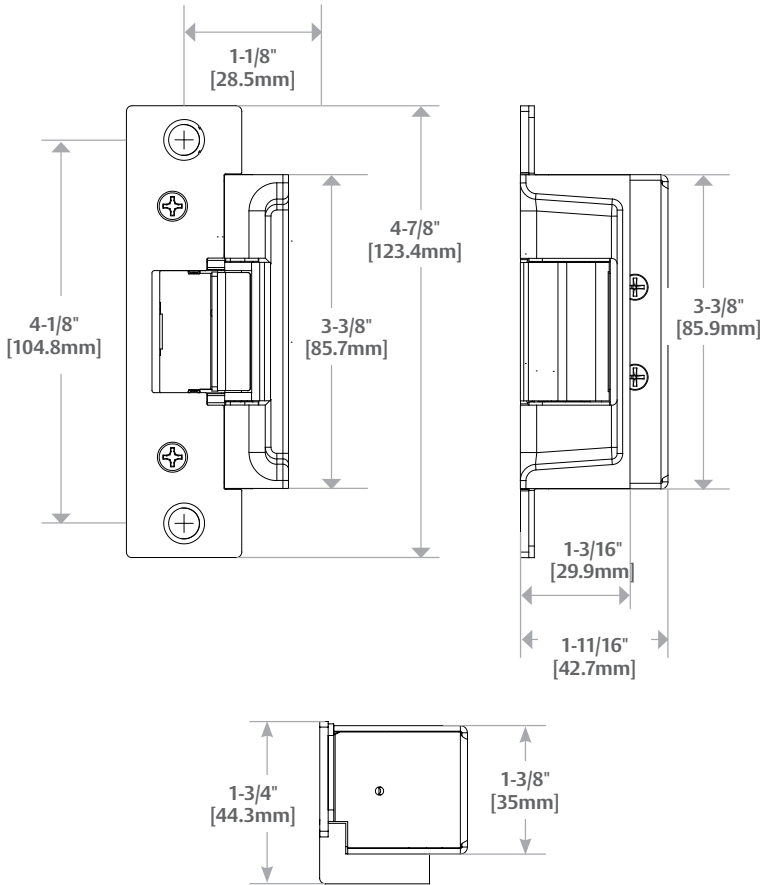
Preload



Burglary
Rated

Preload Capable | Horizontal Adjustment | Latchbolts & Rim Exits

Dimensions



Specifications

Certifications

- ANSI/BHMA A156.31, Grade 1 (791 & 792 options)
- ANSI/BHMA A156.31, Grade 2 (783S, 786S & 789S options)
- UL 1034 burglary-resistant listed
- UL 294 listed

Frame Application

- Metal
- Wood

Electrical (DC Continuous Duty)

- Dual voltage 12/24 VDC/VAC
- 240 mA at 12 VDC/120 mA at 24 VDC
- PoE friendly

Features

Standard Features

- Stainless steel construction
- Tamper-resistant
- Static strength 1,500 lbs (791 and 792 options)
- Dynamic strength 70 ft-lbs (791 and 792 options)
- Static strength 1,000 lbs (783S, 786S, and 789S options)
- Dynamic strength 50 ft-lbs (783S, 786S, and 789S options)
- Endurance 1 million cycles
- Field selectable fail secure/fail safe
- Accommodates preload (up to 15lbs: fail secure only)

- Internally mounted solenoid
- Strike body depth 1-11/16"
- Plug-in connector
- Trim enhancer (791 and 792 options)
- Pocket adapter (786S and 789S options)
- SecuriCare five-year, no-fault, no questions asked warranty

Optional Features

- **LBM** Latchbolt monitor

Accessories

- **SMB** Surface mounting box (783S and 789S options)
- **7000-104** Lip extension trim adapter
- **7000-105** Trim enhancer (goof plate)
- **7000-106** Keeper pocket adapter
- **7000-107** Full keeper shim pack
- **7000-108** 1/8" spacer plate (783S and 789S options, black finish only)
- **7000-110** Replacement strike plate (791 and 792 option)
- **150** Strike latch guard
- **HESCUT-MTK** Metal template kit
- **2001M** Plug-in bridge rectifier
- **2004M** ElectroLynx® adapter
- **2005M3** SMART Pac® III
- **2006M** Plug-in buzzer

How to Order

| Series | Model | Finish* | | Option (s) |
|--|---|--|--|--|
| 7000 | — | — 630 | | — LBM |
| 7000 Universal Electric Strike; Faceplates ordered separately | C* Complete Electric Strike; Includes the 791 and 792 faceplates | 791 and 792 Options | | LBM Latchbolt Monitor |
| | | 605 Bright Brass | 613E Dark Oxidized Satin Bronze | |
| | | 606 Satin Brass | 630 Satin Stainless Steel | |
| | | 612 Satin Bronze | | |
| | | 613E Dark Oxidized Satin Bronze | | |
| | | 629 Bright Stainless Steel | | |
| | | 630 Satin Stainless Steel | | |
| | | BLK Black | | <i>*Complete Pacs are only available in the 630 finish</i> |