

**ASSA ABLOY**  
Opening Solutions

Experience a safer  
and more open world

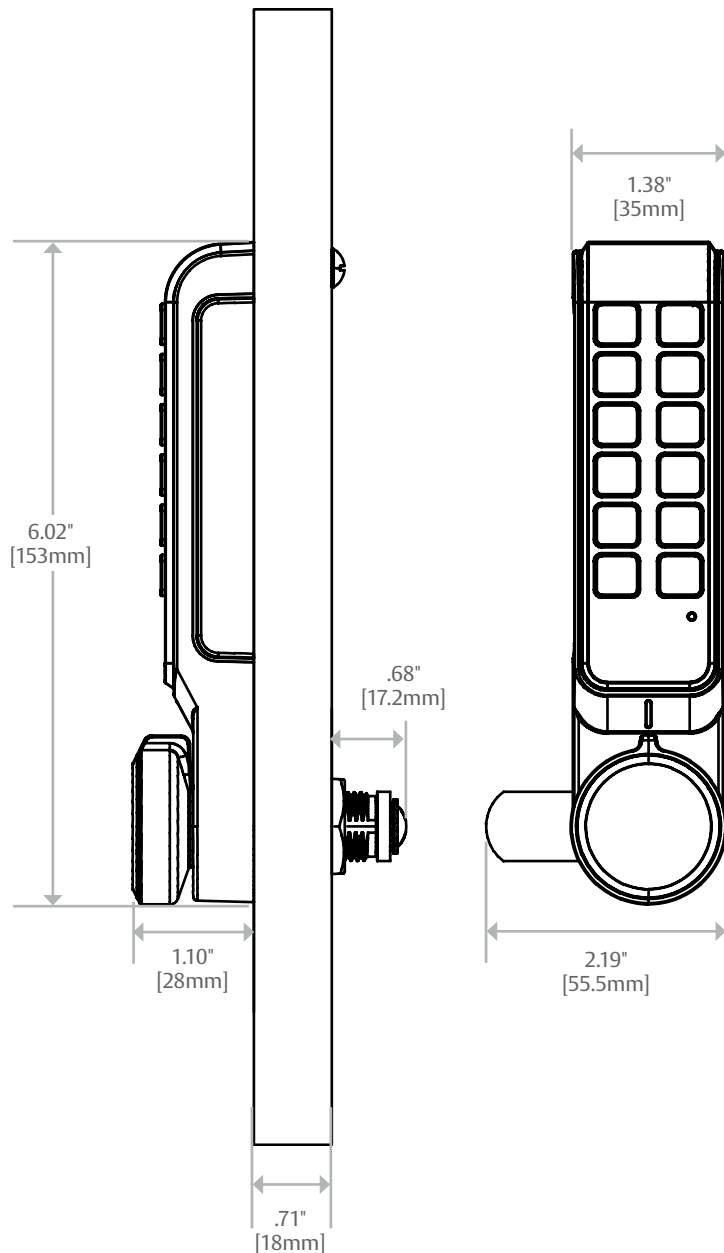
# Electronic Security Hardware

HES | Securitron Product Catalog



## HES KP20 Series Cabinet Lock

## Dimensions



## Specifications

*Certifications*

- FCC Part 15 & Industry Canada compliant
- EU/CE Mark (EN 300 & 301)
- RoHS compliant

*Electrical*

- 30,000 cycles
- 3 x AAA alkaline batteries (sold separately)
- External emergency power through micro USB

*Holding Force*

- Static strength 75 lbs

*Environmental*

- Operating Temperature: 32° to 122°F [0° to 50°C]
- Humidity: 0 to 90% RH
- Indoor use

*Keypad Technology*

- 12-Button Keypad
  - One master code (4 – 12 digit)
  - One user code (4 – 12 digit)

# HES<sup>®</sup> K20 Cabinet Lock

*Stand-Alone RFID Cabinet Lock*



The cost effective solution for stand-alone RFID access control to secure drawers or doors.

The battery operated HES K20 Cabinet Lock is the flexible, low cost cabinet locking solution for low to medium security applications with 75 lbs of holding force.

## Features

### Standard Features

- Stand-alone access control
- No audit trail
- Public (one-time) or Private (continuous) mode configuration options
- 13.56 MHz RFID card technology (cards sold separately)
- LEDs indicate valid/invalid access
- Supports 1 to 20 master credentials
- Supports 1 to 20 user credentials
- Aluminum die-cast construction
- Non-handed
- Installs on wood or metal cabinet drawers or doors 1/16" to 7/8" [1.5 – 22.2 mm] thick
- Micro USB for emergency override upon loss of power
- SecuriCare three-year, no-fault, no questions asked warranty

### Optional Features

- Supports 3rd party locking cams (i.e. hook)
- 13.56 MHz MIFARE Classic credentials (sold separately)



3  
Year  
SecuriCare  
Warranty



Swinging  
Door



Drawers



Battery  
Backup