

**ASSA ABLOY**  
Opening Solutions

Experience a safer  
and more open world

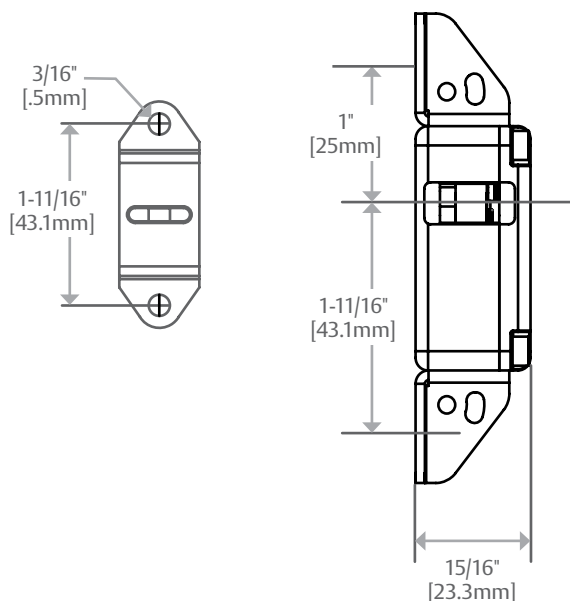
# Electronic Security Hardware

HES | Securitron Product Catalog



## HES 660 Series Cabinet Lock

## Dimensions



## Specifications

## Certifications

- RoHS compliant

## Electrical

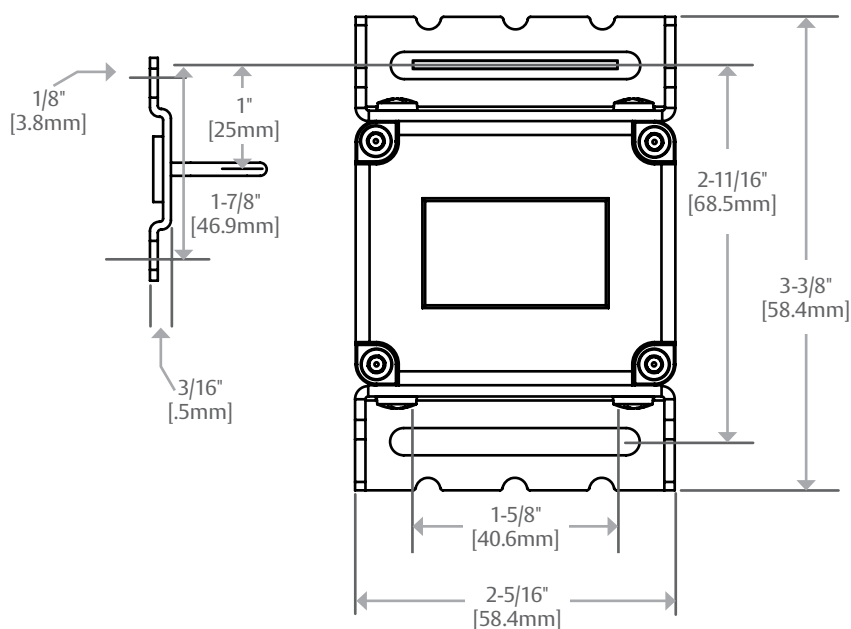
- 12 or 24 VDC  $\pm$  10%
  - 240 mA at 12 VDC / 120 mA at 24 VDC (continuous duty)
  - 700 mA at 12 VDC / 350 mA at 24 VDC (preload option)
  - Monitored contact rating 25V / 1A

## Holding Force

- Static strength 1,000 lbs
- Dynamic strength over 100 ft-lbs

## Environmental

- Indoor use



## How to Order

Series	Voltage	Option (s)
<b>660</b>	<b>– 12V</b>	<b>– LBSM – Preload</b>
	<b>12V</b> 12 Volt	<b>(blank)</b> No preload, no monitoring
	<b>24V</b> 24 Volt	<b>Preload</b> Up to 15 lbs
		<b>LBSM</b> Locked state monitoring
		<b>LBSM-Preload</b> Locked state monitoring with preload

# HES<sup>®</sup> KP20 Cabinet Lock

*Stand-Alone Keypad  
Cabinet Lock*



The cost effective solution for stand-alone keypad access control to secure drawers or doors.

The battery operated HES KP20 Cabinet Lock is the flexible, low cost cabinet locking solution for low to medium security applications with 75 lbs of holding force.

## Features

### Standard Features

- Stand-alone access control
- No audit trail
- Public (one-time) or Private (continuous) mode configuration options
- 12 button keypad
- LEDs indicate valid/invalid access
- Supports one (4–12 digit) master code
- Supports one (4–12 digit) user code
- Aluminum die-cast construction
- Non-handed
- Installs on wood or metal cabinet drawers or doors 1/16" to 7/8" [1.5–22.2 mm] thick
- Micro USB for emergency override upon loss of power
- SecuriCare three-year, no-fault, no questions asked warranty

### Optional Features

- Supports 3rd party locking cams (i.e. hook)



3  
Year  
SecuriCare  
Warranty



Swinging  
Door



Drawers



Battery  
Backup