

ASSA ABLOY
Opening Solutions

Experience a safer
and more open world

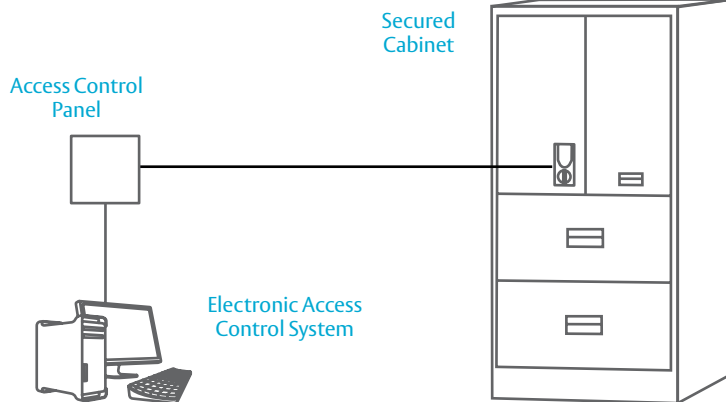
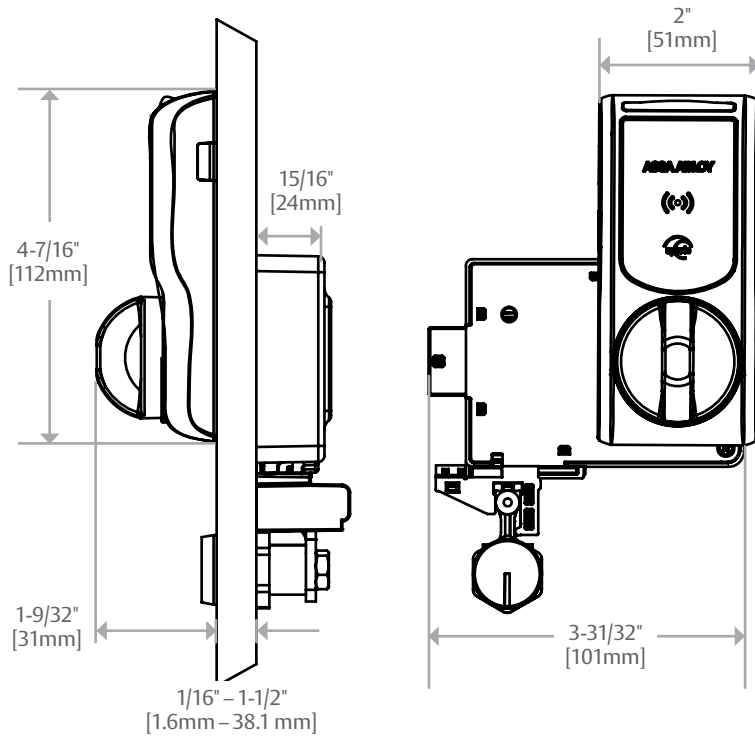
Electronic Security Hardware

HES | Securitron Product Catalog



HES K200 Series Cabinet Lock

Dimensions



Specifications

Certifications

- FCC Part 15 & Industry Canada Compliant
- CE Red
- RoHS Compliant

Electrical

- Dual voltage 12/24 VDC
- 226 mA at 12 VDC / 118 mA at 24 VDC

Holding Force

- Static strength 150 lbs

Environmental

- Operating Temperature: 32° to 122°F [0° to 50°C]
- Indoor Use

Card Technology

- Supports 13.56 MHz & 125 kHz credentials
- **High Frequency (13.56 MHz)**
 - HID iCLASS®
 - HID iCLASS SE® (SIO®-enabled)
 - HID iCLASS® Seos®
 - ISO 14443b UID
 - MIFARE Classic™
 - MIFARE DESfire™ EV1
 - MIFARE DESfire™ SE
 - FeliCa™ (IDm)
- **Low Frequency (125 kHz)**
 - HID® Prox
 - EM4102
 - AWID Prox
- NFC-enabled Mobile Phones

How to Order

Series	Model	Color	Thumbturn
K200	- 622	- B	2
	622 Wiegand, multiCLASS SE	B Black	2 Pinch

HES[®] KS200 Server Cabinet Lock

Integrated Wiegand server cabinet lock



Designed to integrate seamlessly with existing access control systems and protect critical assets from intrusion and expensive downtime.

Designed to install easily on most swing handle server cabinet doors, the HES KS200 Server Cabinet Lock comes standard with lock monitoring and utilizes an SFIC (Small Format Interchangeable Core) mechanical key override. An additional optional extended DPS monitoring sensor can be connected to ensure that the cabinet is closed, locked and secure.

The hard powered HES KS200 features HID multiCLASS SE[®] contactless card technology.

Features

Standard Features

- Hardwired Wiegand communication
- Integrates with existing access control systems and ID badges
- Audit trail limited by EAC system
- HID multiCLASS SE card technology
- LEDs indicate valid/invalid entries; Red Amber or Green Amber
- Locked state monitoring (standard) and additional optional extended DPS monitoring to ensure cabinet is closed, locked and secure
- Designed for standard cam-activated swing handle applications with 25 mm x 150 mm lock opening
- Non-handed
- SecuriCare three-year, no-fault, no questions asked warranty

Accessories

- **SFIC Mechanical Key Override** (sold separately)
 - SFIC MEDECO X4 SFIC Cylinder & 2 keys (1 control, 1 user)
 - SFIC-BC KS SFIC Blank, Black Plastic Core
- **KS-DPS** Surface Mount DPS (external)
- **KS-CAM38** CAM: 38MM-1
- **KS-CAM45** CAM: 45MM-5
- **CBL6-QC12** K200/KS200 Lock Side Interface Cable: 6 foot, 12 conductor and Molex both ends
- **CBL12-QC12** K200/KS200 Lock Side System Interface Cable: 12 foot, 12 conductor and Molex one end, pinned one end
- **WT-1** Wiegand Test Box with LED Indicators
- **WT-2** Wiegand Test Box with LCD Backlit Display and LED Indicators

For easy 3D instructions, download the BILT mobile app



SecuriCare
Warranty



Swinging
Door



Dual Voltage
12/24



PoE
Friendly